

1240i Programmable Step Motor Drive

Microstepping

1.2 amps, 40 VDC

Features

- Programmable for stand alone operation with Applied Motion's easy to use *Si Programmer™* Windows software (software and programming cable included)
- Can be operated in real time from a host PC or PLC using Applied Motion's *Si Command Language™ (SCL)*
- Can be networked with all other *Si™* products via Applied Motion's *SiNet™* Hub
- DC bus voltage 12-42 VDC motor supply (including ripple)
- Software selectable motor current from 0.2 - 1.2 amps/phase
- Software selectable Step resolutions from 2,000 to 50,800 steps per revolution
- Software selectable idle current reduction 0%, 25%, 50% or 100%
- 8 user programmable inputs
- 3 optically isolated 5–24 VDC outputs
- Communication via RS232 or optional RS485
- 48 watts of usable power
- Screw terminal connector blocks for power, motor and I/O. RJ11 for RS232 port
- MOSFET, dual H-Bridge, inaudible PWM amplifier
- 3 state, pulse width modulated current control, switching at 20–30 kHz
- Optional operator terminal (MMI) either standard or backlit
- Drives 4, 6 or 8 lead size 11, 14, 17 or 23 step motors
- CE compliant

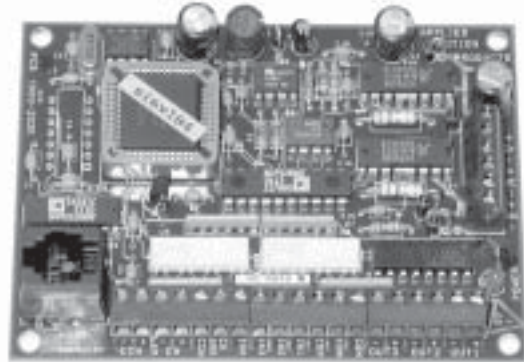
Description

The 1240i is a programmable step motor driver suited for a wide range of motion control applications. It includes a sophisticated controller integrated with a 48-watt microstepping amplifier.

The 1240i includes Applied Motion's easy to use *Si Programmer™* Windows software for the rapid development of stand-alone motion control programs. The 1240i can also be commanded in real time from a host PC or PLC, using the *Si Command Language™*.

For multi-axis applications, up to eight Applied Motion *Si™* drives (stepper or Servo) can be networked using a single *SiNet™* Hub.

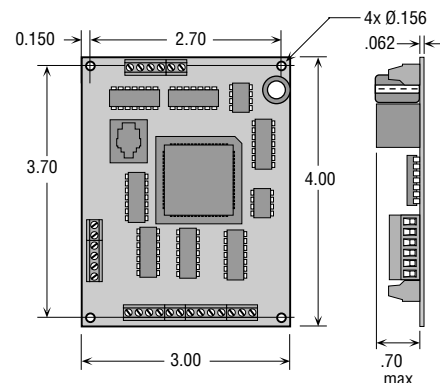
The 1240i includes 8 optically isolated programmable inputs for triggering, branching, position sensing and end of travel detection. 3 optically isolated programmable outputs can send signals to other electronic devices and activate relays.



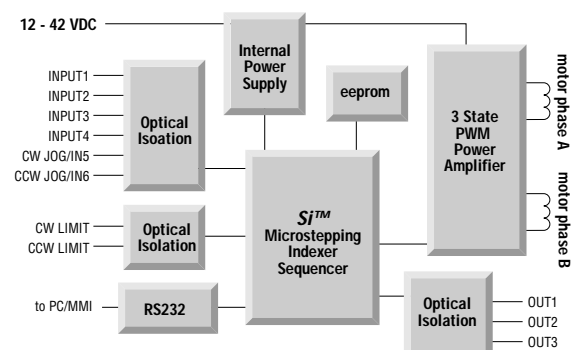
Recommended motors for the 1240i drive:

Size 11	Size 14	Size 17	Size 23
HT11-012	5014-842	HT17-068	HT23-393
HT11-013		HT17-071	HT23-396
		HT17-075	HT23-399

MECHANICAL OUTLINE



BLOCK DIAGRAM



1240i Torque Curves

