

## FEATURES

- Compatible with controllers that output +/-10V analog torque commands for U & V phases
- Reduced offset drift
- **FAULT PROTECTIONS**  
 Short-circuits  
 output to output  
 output to HV (+)  
 output to HV (-)  
 Over / under voltage  
 Over temperature  
 Self-reset or latch-off
- **No Transformer Required!**  
 Operates from power supplies that rectify the line directly with full optical isolation between signal and power stages.
- **CURRENT LIMITING**  
 User selectable, I<sup>2</sup>T Limit with, indicator signal for control system
- **Greater than 3 kHz Bandwidth**

## WORKS WITH POPULAR CONTROLLERS

- **Technology 80 5651A**
- **PMD MC1231A Chipset**
- **Delta Tau PMAC**
- **MEI DPS Series**
- **Galil DMC-1700**

## THE OEM ADVANTAGE

- **Internal solderless header configures amplifier for plug and play operation**

MODEL	POWER	I-CONT (A)	I-PEAK (A)
7225X1-50	24~180VDC	15	50



## FEATURES

The 7225X1-50 model is a PWM servo-amplifier for AC Brushless servomotors that are commutated externally by digital control systems that output two +/-10V signals that represent the current command to the motor U and V windings. The amplifier synthesizes the current command for the W winding.

Control cards take feedback from an encoder on the motor and use various techniques to determine the rotor position. When this has been done, the controller is able to output two signals that correspond to the current in the U and V windings to produce torque in the motor. The amplifier synthesizes the W winding current from UV signals that are 120 electrical degrees apart.

Amplifier adjustments with this system consist of inductance compensation, current limit, transconductance, and offset. Thereafter, the controller does all of the velocity and/or position control of the motor.

Internal solderless sockets let the user configure the various gain and current limit settings to customize the amplifiers for a wide range of loads and applications. Header components permit compensation over a wide range of load inductance's to maximize bandwidth with different motors.

The /Enable input active logic-level is jumper-selectable to ground or +5V to interface with all types of control cards.

MOSFET output stage deliver four quadrant power for bi-directional acceleration and deceleration of motors.

All models are protected against output short circuits (output to output, output to ground, output to +HV) and heatplate overtemperature. With the /Reset input open the amplifier will latch off until powered-down or the /Reset input is toggled. The amplifier will reset itself automatically from faults if the /Reset input is wired to GND.



# MODEL 7225X1-50

## LINE-ISOLATED AC BRUSHLESS SERVO AMPLIFIER WITH +/-10V ANALOG U-V INPUTS

### TECHNICAL SPECIFICATIONS

Test conditions: 25°C. Ambient, Load = 400uH in series with 1Ω, +HV = 180V

<b>MODEL</b>		7225X1-50
<b>OUTPUT POWER</b>		
Peak power		50 A @ 170 VDC
Peak time		0.25 sec at peak power independent of polarity reversal
Continuous power		15 A @ 180 VDC
<b>OUTPUT VOLTAGE</b>		
On-resistance (Ro, ohms)		0.2
Max PWM Peak Output Voltage		$\pm V_{out} = (VDC) \times (0.97) - (Ro) \times (Io)$
<b>INPUT POWER</b>		
DC voltage		22~186 VDC
Input current @ continuous output rating		15 A
<b>LOAD INDUCTANCE</b>		
Minimum inductance		400 μH.
Maximum inductance		No maximum. Bandwidth varies with inductance, +HV, and header parts.
<b>BANDWIDTH</b>	Small signal	-3dB @ 3 kHz with minimum load at nominal supply voltage. Varies with load inductance and header values
<b>PWM OUTPUTS</b>		
PWM frequency		25 kHz
Modulation		Carrier-cancellation, 50% duty cycle at 0 V output
<b>REFERENCE INPUT</b>		
		Differential, 94 kΩ max. to 47 kΩ min. between inputs, ±20 V maximum
<b>POTENTIOMETERS</b>		
R14	U Ref Fine Gain	Default = Centered CW increases gain of U output phase current.
R26	V Ref Fine Gain	Default = Centered CW increases gain of V output phase current.
R49	U phase current Zero	Adjusts U output current to zero with U and V inputs = 0 V.
R41	V phase current Zero	Adjusts V output current to zero with U and V inputs = 0 V.
<b>INTERNAL JUMPER</b>		
JP1	/Enable input active polarity	Pos. 1-2 (default) Gnd enables amplifier, open or +5 V inhibits. Pos. 2-3 Gnd inhibits, open or +5 V enables
<b>LOGIC INPUTS</b>		
/Enable	Default = GND active	GND enables channel open or >2.5V inhibits with JP1 on 1-2. If JP1 on 2-3 then GND inhibits
/Motemp	Motor temp sensor.	Response time is 1 ms from enable active to amplifier output ON. HI (open) = Motor HOT, amp channel shuts down. Non-latching. LO (gnd) = Motor OK, amp channel will operate.
/Reset	Default = Open	GND resets latching fault condition, ground for self-reset every 1 s.
	Input resistance	10kΩ to +5V, R-C filters on inputs
	Logic threshold voltage	2.5V (Schmitt trigger inputs with hysteresis, 74HC14)
	Input voltage range	0V to +32VDC
<b>LOGIC OUTPUTS</b>		
/Normal1, /Normal2		LO (current sinking) when channel is Enabled AND OK Amp OK = (NOT Short) AND (NOT Over, Undervoltage, or Basetemp) AND (MotorTemp OK) +5V (no load). Output is N-channel MOSFET drain terminal with 10kΩ pull-up resistor to +5V On resistance Ro = 5Ω. Max sink current of 250 mA. max off-voltage = 50VDC
HI output voltage		HI when amplifier is not current limiting; LO when current is limit is active.
LO output voltage		+5V (No load). Output is LM339 open collector with 10kΩ pullup resistor to +5V Max sink current of 15 mA, max off voltage = 32VDC
/CurrLimit1, /CurrLimit2		
HI output voltage		
LO output voltage		
AmpOK		Opto-isolated signal: opto-transistor output stage of optocoupler Transistor is ON when Amp is OK (see above) One output is connected to pins 7 & 19 of both J1 & J3
<b>STATUS LEADS</b>		
Amp OK	Blinking Green	Power OK, no faults, amp will run when enabled
Normal	Solid Green	Amplifier OK AND Amp Enabled
Fault	Solid Red	Amplifier NOT OK (Over voltage OR Undervoltage OR , /Motemp not connected or open)
Latching Fault	Blinking Red	Heatplate ovrtemp or short ckt (output-output, output--HV, output++HV or internal)
<b>MONITOR OUTPUTS</b>		
Current Monitor U		Motor winding current in U phase: ±10 V @ ±50 A or 5.0 A/V (2.2 kΩ, 4.7 nF R-C filter)
Current Monitor V		Motor winding current in V phase: ±10 V @ ±50 A or 5.0 A/V (2.2 kΩ, 4.7 nF R-C filter)

**PROTECTIVE FEATURES**

<p>Short circuit          Overtemperature</p> <p>Under voltage          Over voltage</p> <p>Current-limiting</p>	<p>Latches unit OFF (Power off/on, or ground at /Reset input resets)          Latches unit OFF at 70°C on heatplate (Power off/on, or ground at /Reset input resets)  <i>Wire /Reset input to ground for automatic reset after latching fault</i>          Shutdown at DC buss &lt; 22 VDC          Shutdown at DC buss &gt; 195 VDC          (Amplifier operation resumes when internal DC buss is NOT Under voltage or NOT Over voltage)          Continuous current and I<sup>2</sup>T limit set by header components          Current is reduced to continuous setting when I<sup>2</sup>T limit is reached.           I<sub>U</sub> ,  I<sub>V</sub>  are hardware limited to 53A, whereas  I<sub>W</sub>  = -(I<sub>U</sub> + I<sub>V</sub>) at all times          Maximum I<sup>2</sup>T setting (H13 = H14 = 0 ohms) will activate latching fault after 50Arms for 0.25s          Minimum I<sup>2</sup>T setting (H13 = H14 = Open) will activate latching fault after 50Arms for 11mS          Limiting action reduces transconductance so relative amplitude of U,V,W currents is maintained for no loss of phase          /CurrLimit output indicates when current limiting is active.          Amplifier will shutdown (latching fault) if  I<sub>W</sub>  &gt; 58A at any time.</p>
--	--

**AMPLIFIER DISSIPATION**

Watts maximum at Vref = 0, amplifier enabled	7 W
Watts @ continuous current	60 W

**THERMAL REQUIREMENTS**

Storage temperature range	-30°C to +85°C
Operating temperature range	0° to 70°C baseplate temperature
Thermal resistance (heatplate to ambient):	No heatsink or fan: 2.7 deg. C/W; With heatsink, no fan: 1.6 deg. C/W No heatsink with fan: 1 deg. C/W; With heatsink and fan: 0.4 deg. C/W

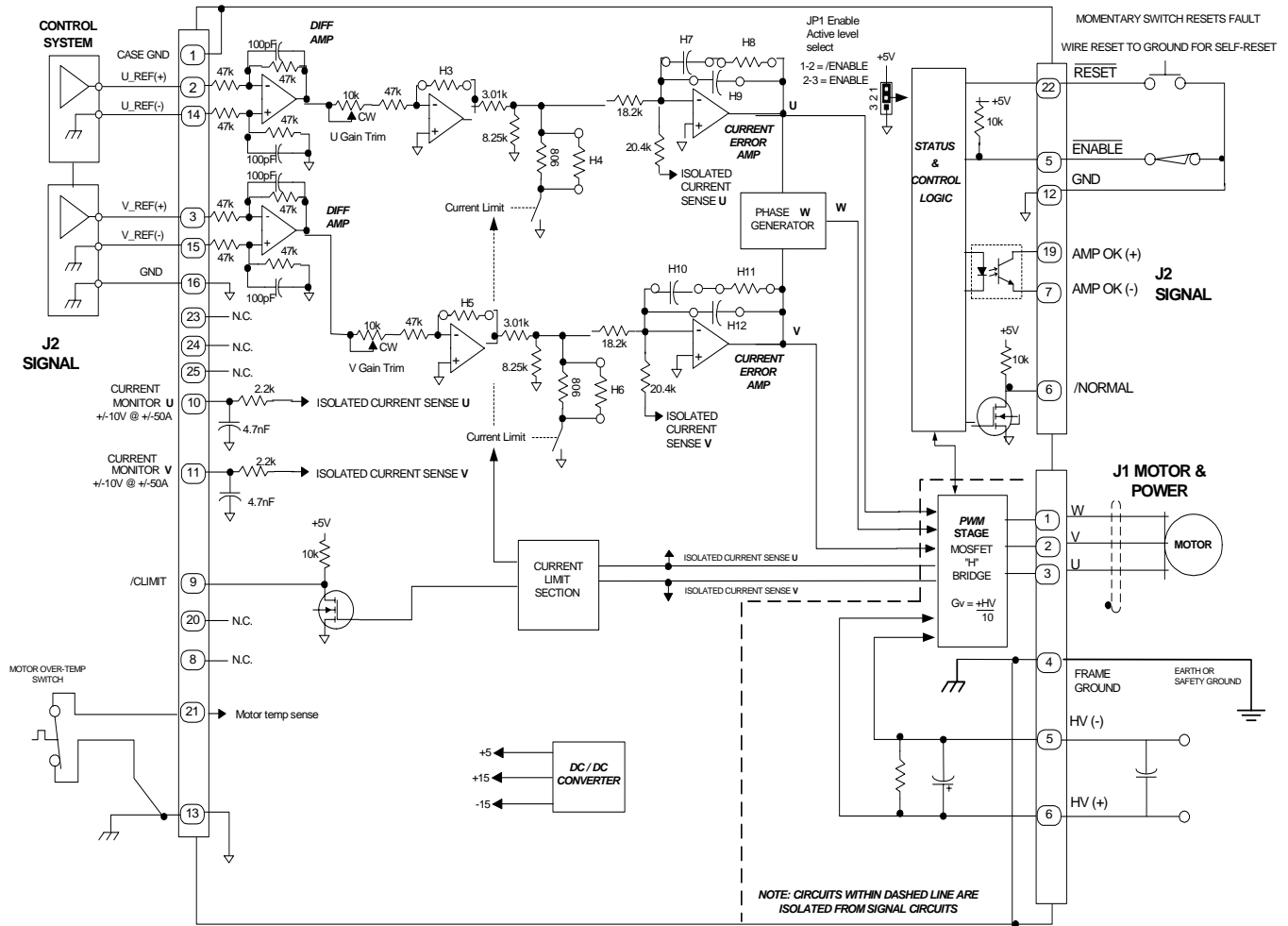
**MECHANICAL**

Size	7.35 x 4.4 x 1.40 in. without optional heatsink
Weight	1.48 lb. (0.67 kg)

**CONNECTORS**

J1	Power & Motor connections	6-position Euro connector
J2	Signal connections	25-position female Sub-D type with #M3 standoffs for cable shell lock screws

## FUNCTIONAL DIAGRAM



## CONNECTORS

### J1 POWER AND MOTOR WINDING CONNECTIONS

Connector type: Euro style terminal block.

PIN	SIGNAL	FUNCTION
1	Motor W	Amplifier output to "W" winding of motor
2	Motor V	Amplifier output to "V" winding of motor
3	Motor U	Amplifier output to "U" winding of motor
4	Chassis Gnd	Chassis safety ground. Also for cable shield of motor cable.
5	HV(-)	DC Power Gnd/Return ( <i>Note: HV is isolated from 0V signal ground</i> )
6	HV(+)	DC Power Input

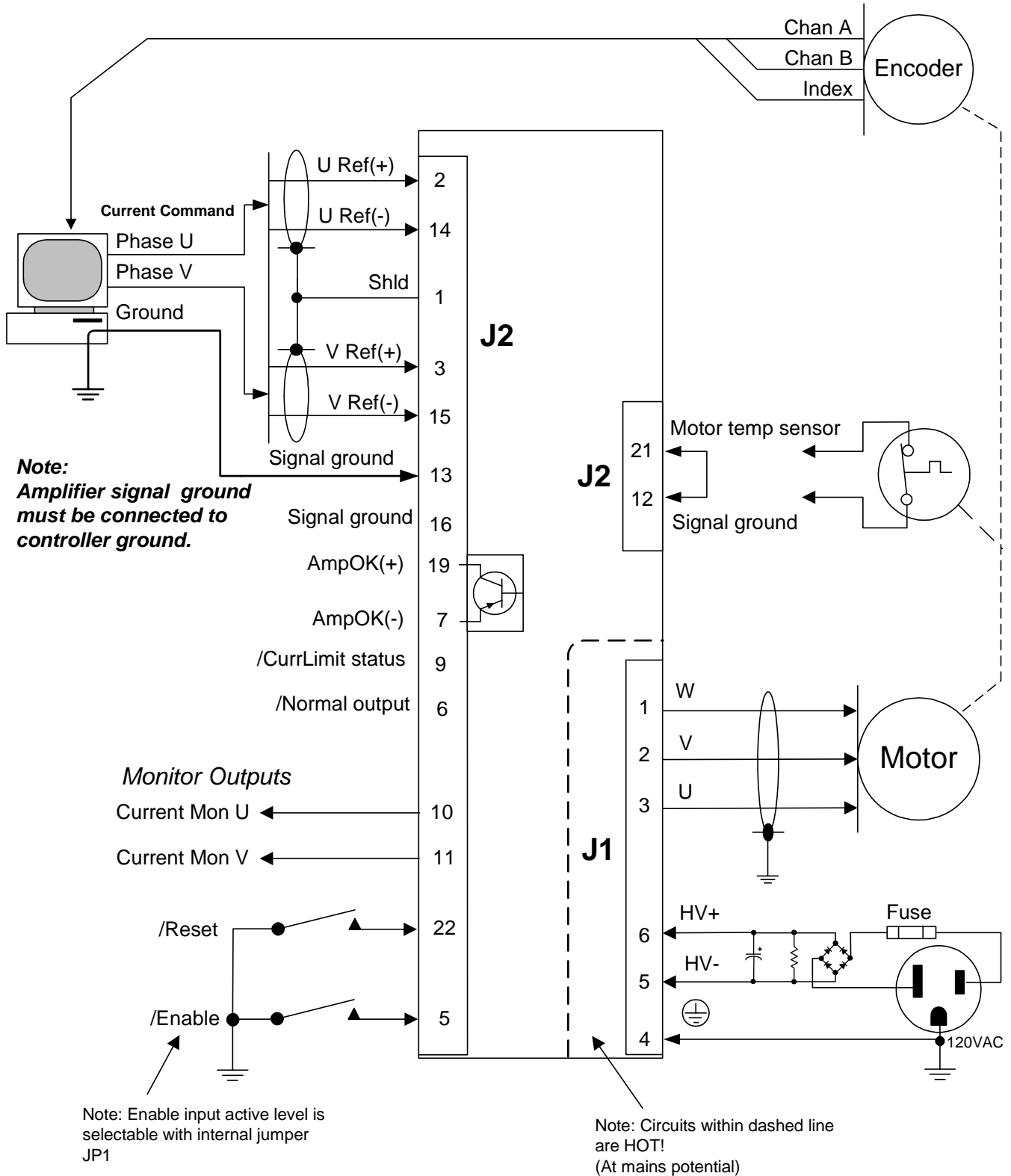
### J2 SIGNAL CONNECTIONS

Connector type: Female Sub-D, 25-position, #M3 locking standoffs

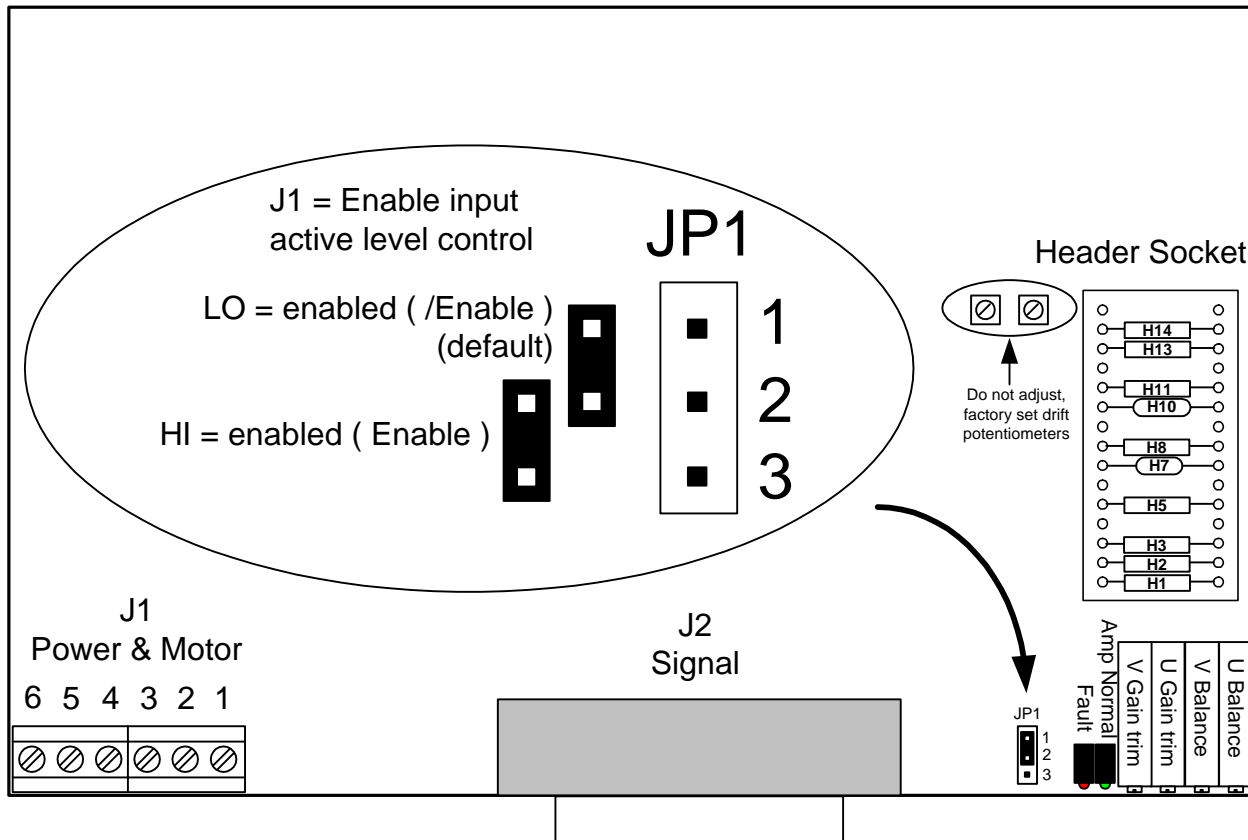
PIN	SIGNAL	FUNCTION	PIN	SIGNAL	FUNCTION
1	Safety GND (Case)	Chassis ground. Use to ground cable shield. Not connected to internal signal ground (J3-12, 13,16).			
2	U Ref (+)	Positive terminal of differential +/-10V analog command input	14	U Ref (-)	Negative terminal of differential +/-10V analog command input
3	V Ref (+)	Positive terminal of differential +/-10V analog command input	15	V Ref (-)	Negative terminal of differential +/-10V analog command input
4	N.C.		16	0V.	Signal ground.
5	/Enable input	Amplifier enable	17	N.C.	
6	/Normal output	Mosfet output amp status	18	N.C.	
7	Amp OK (-) output	Opto-isolator emitter (NPN)	19	Amp OK (+) output	Opto-isolator collector (NPN)
8	N.C.		20	N.C.	
9	/CLIMIT	Current limit status	21	Motemp	(Note 1)
10	Current Monitor U	+/-10V @ +/-50 A	22	/Reset input	
11	Current Monitor V	+/-10V @ +/-50 A	23	N.C.	
12	0V.	Signal ground.	24	N.C.	
13	0V.	Signal ground <b>must be connected to the controller.</b>	25	N.C.	

- The motor temperature sensor input is supported on 7225X1-50. J2-21 must be grounded for amplifier to operate (motor temp sensor should be a normally-closed switch that opens when motor is too hot)

**TYPICAL AMPLIFIER CONNECTIONS**



**PC BOARD LAYOUT**



**HEADER BOARD SOCKET COMPONENTS**

Part	Value	Remarks
H15	N/a	No function
H14	0Ω<short>	I <sup>2</sup> T Current Limit select
H13	0Ω<short>	Continuous Current Limit select
H12	<out>	Ch. V Current Error Amp hi-frequency roll off
H11	33.2kΩ	Ch. V Current Error Amp proportional gain
H10	33nF	Ch. V Current Error Amp integrator
H9	<Out>	Ch. U Current Error Amp hi-frequency roll off
H8	33.2kΩ	Ch. U Current Error Amp proportional gain
H7	33nF	Ch. U Current Error Amp integrator
H6	<Out>	Ch. V Continuous Current Limit
H5	75kΩ	Ch. V Transconductance
H4	<Out>	Ch. U Continuous Current Limit
H3	75kΩ	Ch. U Transconductance
H2	1.5MΩ	Ch. U Balance Range select
H1	1.5MΩ	Ch. V Balance Range select

## HEADER SOCKET COMPONENT SELECTION

### LOAD INDUCTANCE

L (mH) phase-to-phase	H8, H11 @ 80V	H8, H11 @ 160V	H7, H10
0.4	16.5k	11k	33nF
<b>1</b>	<b>41.2k</b>	<b>33.2k</b>	<b>33nF</b>
3	124k	68.1k	33nF
10	249K	124K	33nF
30	750K	392k	33nF

Note: Table values apply with components H9 & H12 not installed. Values in **bold and italic** are factory installed.

### CURRENT LIMITS

A micro controller uses an I<sup>2</sup>T algorithm to monitor to protect against overload conditions. The I<sup>2</sup>T overload protection for each channel operates independent of the other. The algorithm detects when the current in any phase exceeds the continuous current limit level set by the header component H13. The I<sup>2</sup>T algorithm tracks the energy of the overload (A<sup>2</sup> sec) and when the I<sup>2</sup>T limit is reached, the output current is limited to a level set by H4 and H6. The following tables or equations can be used to select header component values to obtain the desired over-current protection setting.

Cont. Current (Arms)	H 4,H 6 (Ohm)	H13 (Ohm)
<b>15</b>	<b>&lt;out&gt;</b>	<b>0 Ohms (short)</b>
12	1.87k	15.8k
9	715	47.5k
6	301	143k
3	75	<Out>

I <sup>2</sup> T Limit (A <sup>2</sup> sec)	H14 (Ohm)
<b>600</b>	<b>0 (short)</b>
375	16.9k
188	57.6k
139	86.6k
75	200k
24	<Out>

$$H13 = 47.5k \text{ ohms} * \frac{(15 - I_{cont})}{(I_{cont} - 3)}$$

$$H14 = 47.5k \text{ ohms} * \frac{(6.25 - \sqrt{\frac{I^2 T_{limit}}{15.36}})}{(\sqrt{\frac{I^2 T_{limit}}{15.36}} - 1.25)}$$

Example: The I<sup>2</sup>T set point applies only to the energy delivered to the load over and above the continuous rating of the load. The amplifier's micro controller is informed of the continuous current rating of the load via header resistor H13. The I<sup>2</sup>T set point is set via header resistor H14. Using a 0 ohm value for H14 gives an I<sup>2</sup>T set point of 600 A<sup>2</sup>S. If a 0 ohm value is also used for H13, the continuous current setting is 15A. This means that for a 50Arms current on either phase U, V or W, the I<sup>2</sup>T protection will activate after a time T = 600 A<sup>2</sup>S/(50<sup>2</sup> - 15<sup>2</sup>)= 0.25 seconds. Current is then limited to continuous limit set by H4 and H6.

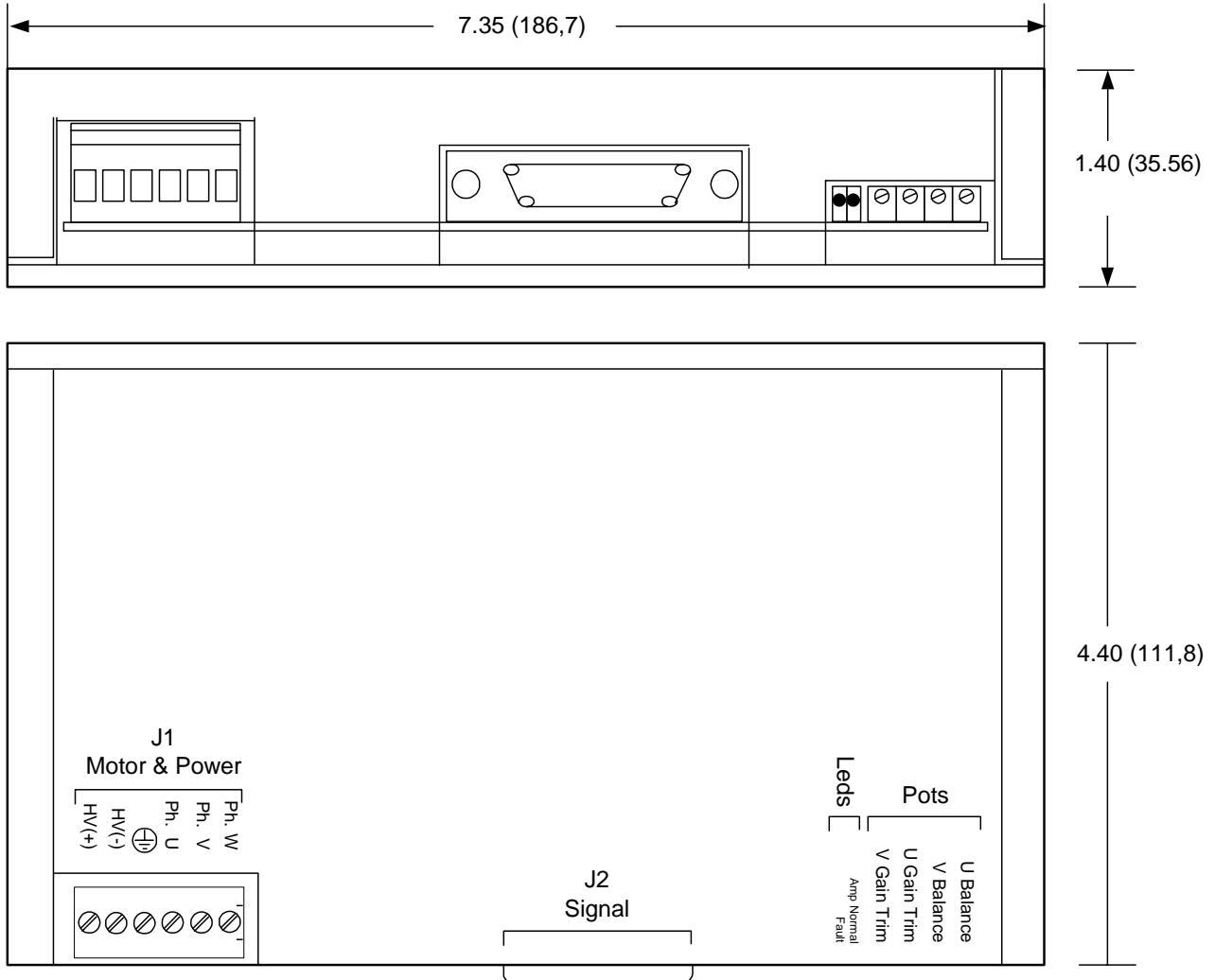
### BALANCE RANGE AND TRANSCONDUCTANCE SETTINGS

Header components H1 & H2 control the offset range. Default value is 1.5Mohm that gives a range of +/-350mA. The ratio between output current, and the reference voltage at the input is the *transconductance* of the amplifier. It is measured in Amps/Volt, and is controlled by components H3 & H5. The chart below gives some common settings.

Gain (A/V)	H3 & H5
6.25	95.3k
<b>5.0</b>	<b>75k</b>
3.75	54.9k
2.5	36.5k
1.25	17.8k

**DIMENSIONS**

Note: Dimensions in inches (mm.)



**NOTES**