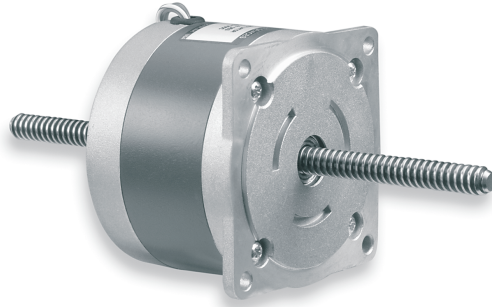


SIZE  
**34**  
**3.38"**  
DIA

# Linear Actuator

## Conventional



EADmotors Size 34 linear actuators are based on EAD's standard single stack 1.8° hybrid stepping motors. Size 34 linear actuators are totally enclosed with permanently lubricated ball bearings.

The internal rotating nut is made of bearing bronze and the actuating shaft is a rolled thread made of cold rolled steel.

Leadscrew lubrication is required for maximum life. Lubricants containing molybdenum disulfide are recommended. The lubricant used in tests conducted to develop these force speed curves is available in two tube sizes:

¼ oz. Leadscrew Lube  
P/N 12210105

¾ oz. Leadscrew Lube  
P/N 12210106

Note: Anti-backlash nuts and custom leadscrew options are available.

### Part Number Description

LA34AGK - - -

Thread Description  
(T or S)

Leadscrew Length  
(1-inch increments)

Winding Number

## Electrical Ratings

Model Number	Number of Leads	Unipolar Connection				Bipolar Connection				Rotor Inertia (oz.-in.-sec <sup>2</sup> )	Weight (ounces)
		Phase Voltage (VDC)	Phase Current (amps)	Phase Resistance (ohms)	Phase Inductance (mH)	Phase Voltage (VDC)	Phase Current (amps)	Phase Resistance (ohms)	Phase Inductance (mH)		
LA34AGK_-1	6	1.70	4.72	0.36	1.62	2.4	3.34	0.72	6.48	0.0091	48
LA34AGK_-2	6	2.60	3.06	0.85	4.15	3.7	2.17	1.70	16.60		
LA34AGK_-4	6	5.30	1.61	3.30	17.50	7.5	1.14	6.60	70.00		
LA34AGK_-9	6	12.00	0.67	18.00	80.00	17.0	0.47	36.00	320.00		
LA34AGK_-10	6	24.00	0.33	72.00	315.00	34.0	0.24	144.00	1260.00		
LA34AGK_-M200	4					4.4	2.00	2.2	20.4		
LA34AGK_-M300	4					2.9	3.00	0.96	9.07		
LA34AGK_-M400	4					2.2	4.00	0.55	5.1		
LA34AGK_-M600	4					1.5	6.00	0.24	2.27		

## Leadscrew Specifications

Letter Designation	Description	Thread Lead (inches)	Linear Travel per 1.8° Step (inches)	Bipolar Connection Maximum Linear Force (pounds)
T	3/8-16ACME	0.0625	.0003125	350
S	3/8-10ACME	0.1000	.000500	300

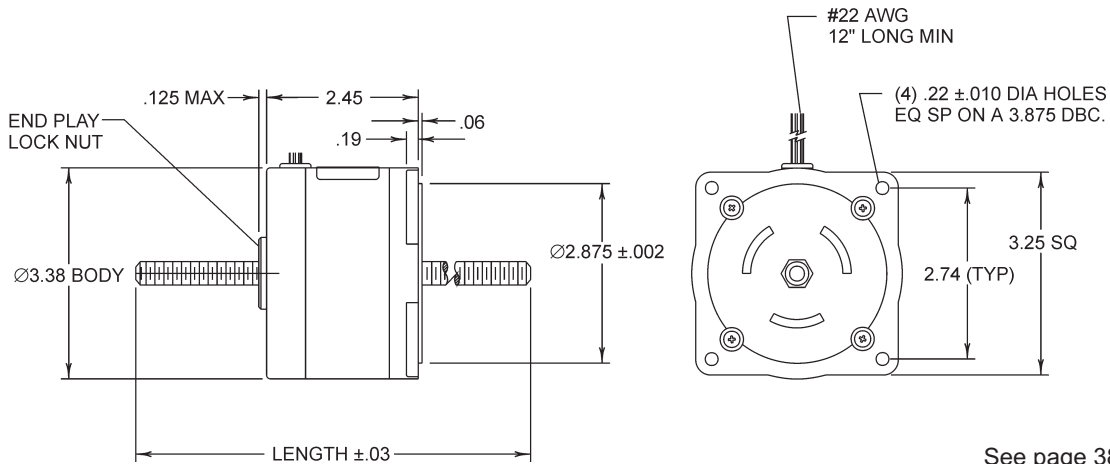
Solutions in motion



# Linear Actuator

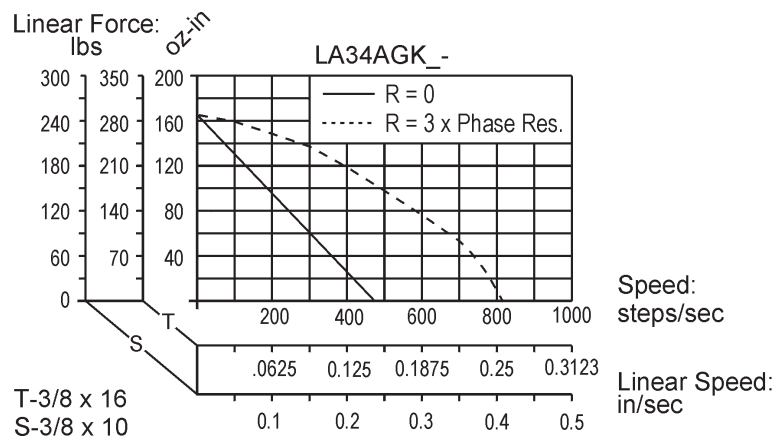
Conventional

SIZE  
**34**  
**3.38"**  
DIA

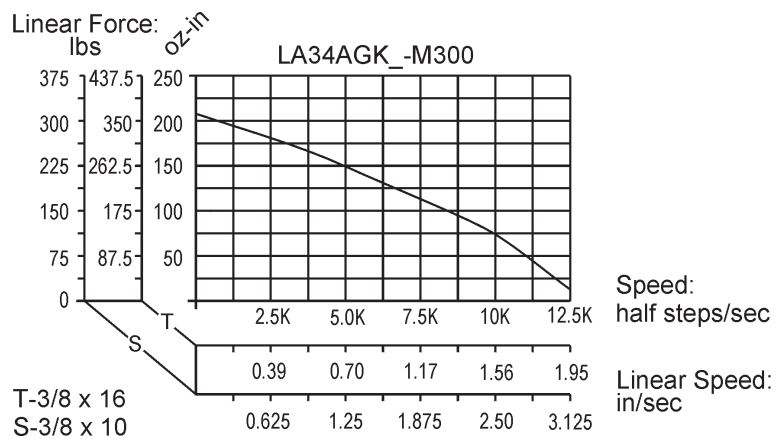


See page 38 for Connection Diagrams.

## Typical Unipolar Performance (6 Lead Motor): Constant Voltage Drive (L/R), 2 Phase On



## Typical Bipolar Performance: 80 VDC Power Supply, 3 Amps/Phase



Solutions in motion

