

Actuators

HLD60 with Twin External Rails

ACTUATORS

HLD60 with Twin External Rails Specifications

Parameter	Value				Units
Configuration & Physical Parameters					
Motor	Animatics SM2315D, SM2315DT, SM2316D, SM2316DT, SM2337D or SM2337DT				-
Coupling	Flexible Jaw				-
Displacement/rev	2.5, 5, 10, 12.5				mm/rev
Position sensors	Optional Home & EOT limits				-
Stroke	100-600mm in 50mm steps 600-1000mm in 100mm steps 1000-4000mm in 200mm steps Custom lengths are available				mm
Overall length (L)	Stroke + 284				mm
Over-travel	26				mm
Unit mass	3.4 + 0.0057 x (stroke, mm) + (motor mass, kg)				kg
Performance					
Unidirectional repeatability	<20				µm
Bi-directional repeatability	60-180 (belt tension dependent)				µm
Accuracy *	0.5 per 300 stroke				mm/mm
Displacement/rev	2.5	5	10	12.5	mm/rev
Linear speed @ 4200RPM	175	350	700	875	mm/s
Payload Mass**	45	40	16	10	kg
Continuous Thrust (Fa)					
SM2315D @ 48V @ 4500RPM	100	20	-	-	N
SM2315DT @ 48V @ 3300RPM	450	230	80	45	N
SM2316D @ 48V @ 4500RPM	260	100	-	-	N
SM2316DT @ 48V @ 3800RPM	450	400	160	135	N
SM2337D @ 48V @ 4500RPM	165	50	-	-	N
SM2337DT @ 48V @ 3200 RPM	450	275	105	65	N
Load Capacities, Dynamic ** (Static)					
Fb	3000 (3000)	3000 (3000)	3000 (3000)	2800 (3000)	N
Fc	3000 (3000)	3000 (3000)	3000 (3000)	2800 (3000)	N
Carriage moments, Dynamic ** (Static)					
M.a	180 (200)	144 (200)	114 (200)	106 (200)	Nm
M.b	144 (200)	113 (200)	89 (200)	84 (200)	Nm
M.c	144 (200)	113 (200)	89 (200)	84 (200)	Nm

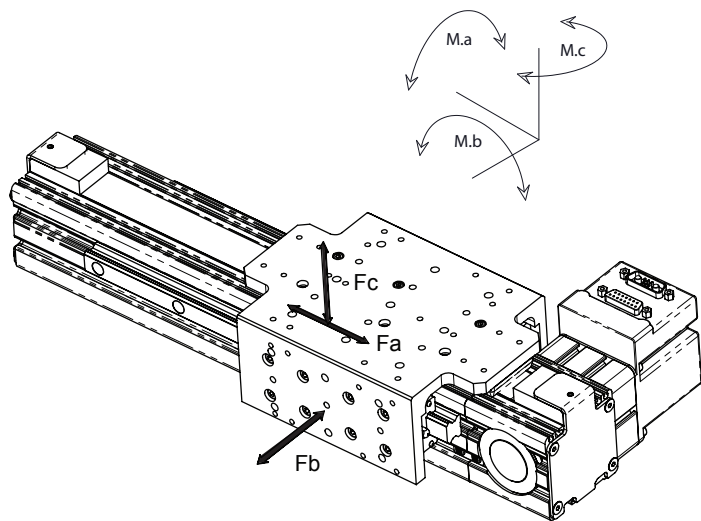
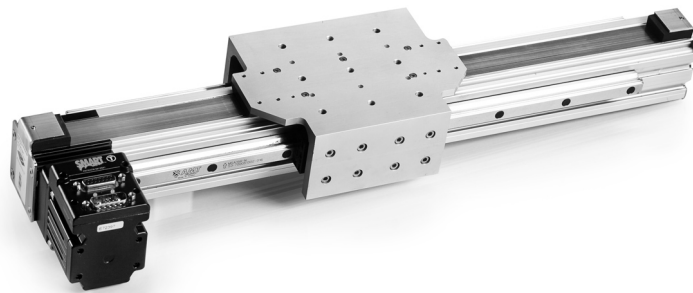
*Consult factory if greater accuracy is required

**Based on a 15000HR service life

@ 75/150/300 & 375mm/s (1800 RPM) average speed at given payload

Subject to routine lubrication

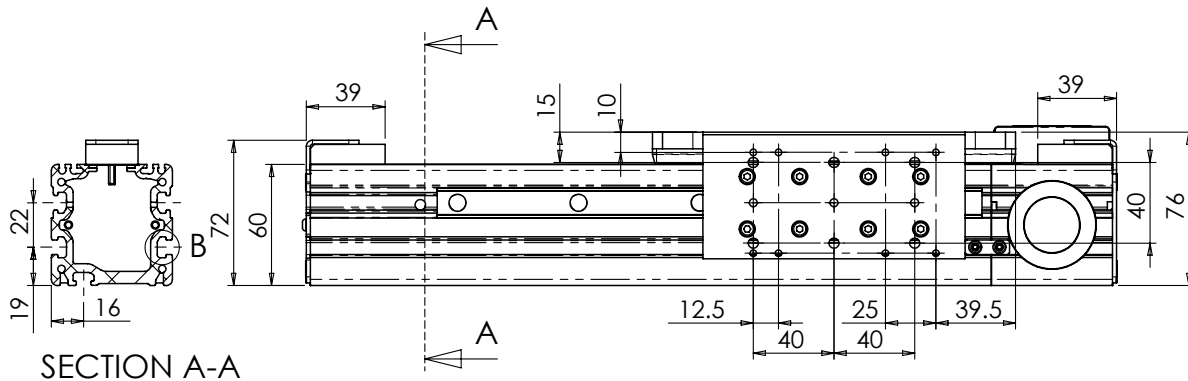
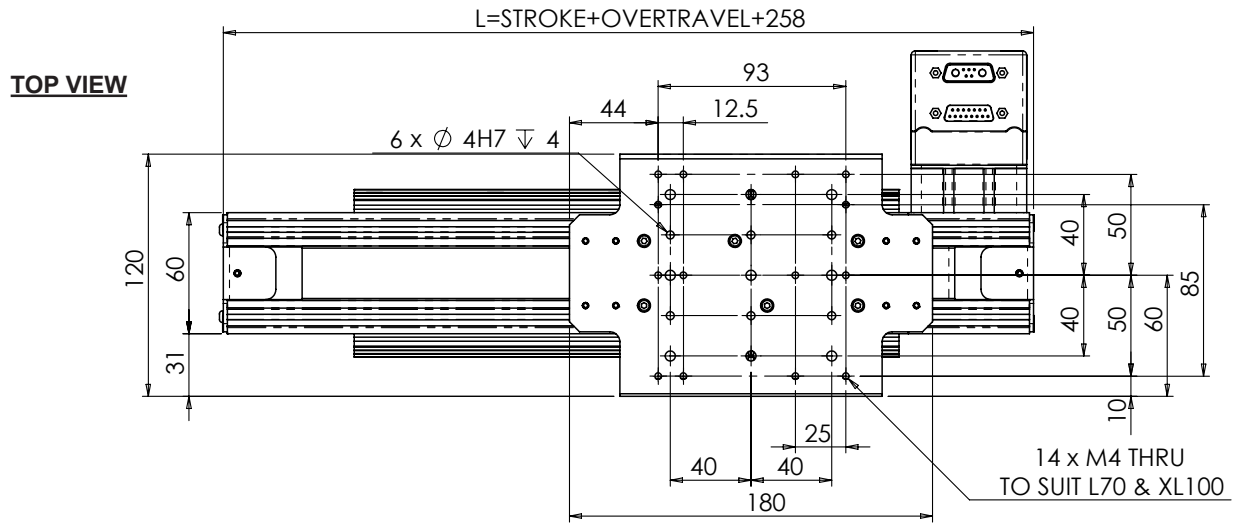
All OEM Dynamics™ Linear Integrated Systems are covered by Animatics patent #5,912,541 and other patents are in progress worldwide



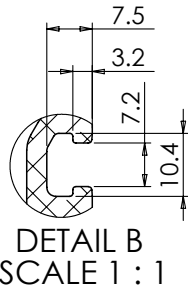
Actuators

HLD60 with Twin External Rails

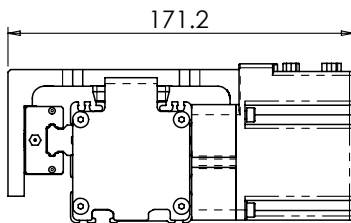
ACTUATORS



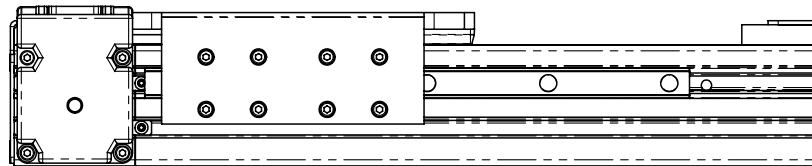
SIMPLE END VIEW



LEFT SIDE VIEW



MOTOR END VIEW



RIGHT SIDE VIEW

Dimensions in millimeters

Note: For part numbers please refer to our Website at www.oemdynamics.com/partnumbers or to catalog page 5.

Thrust Curve performance data in following section on pages 40-45.