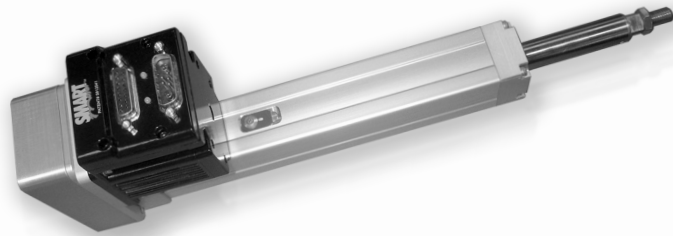
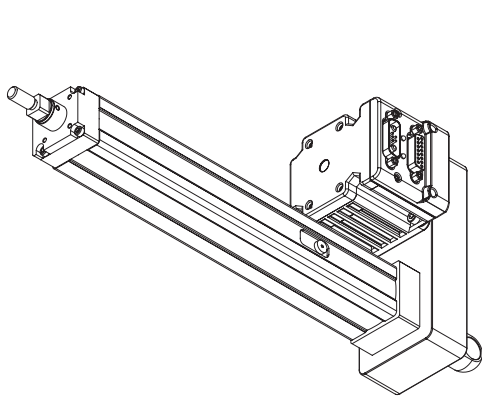


Actuators

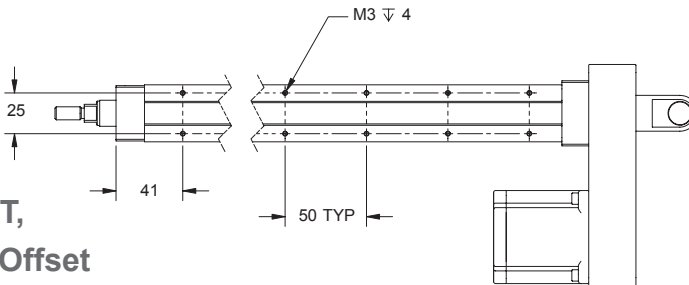
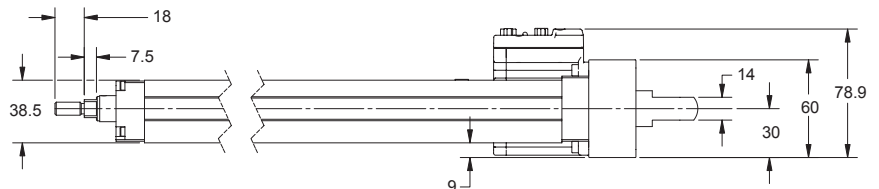
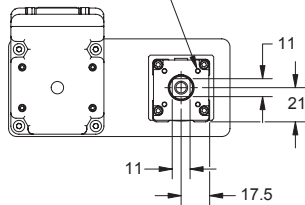
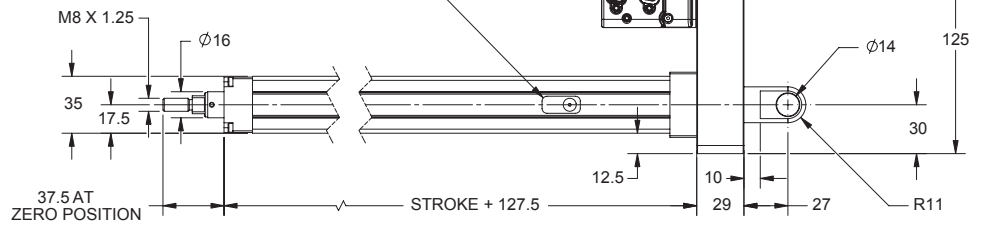
VL-CT35 Pulley Offset

ACTUATORS



BALL SCREW GREASING HOLE.
 BALL SCREW LUBRICATION POSITION
 IS 36 OR LONGER FROM ZERO POSITION.

4X M3 ∇ 10
 ON \varnothing 29 BOLT CIRCLE
 EVENLY SPACED

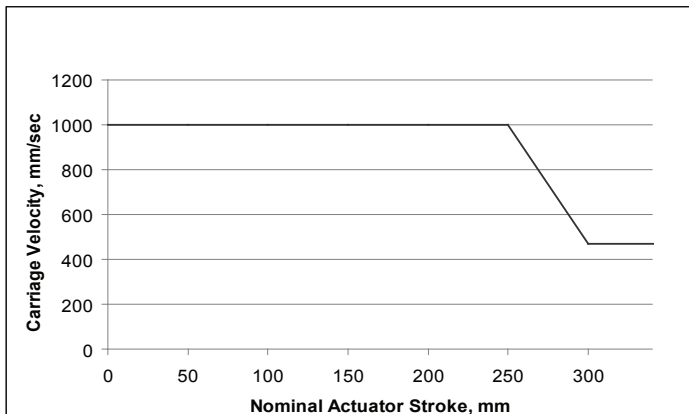


VL-CT35 with SM2316DT, SM2315DT, SM2316D, or SM2315D with Pulley Offset

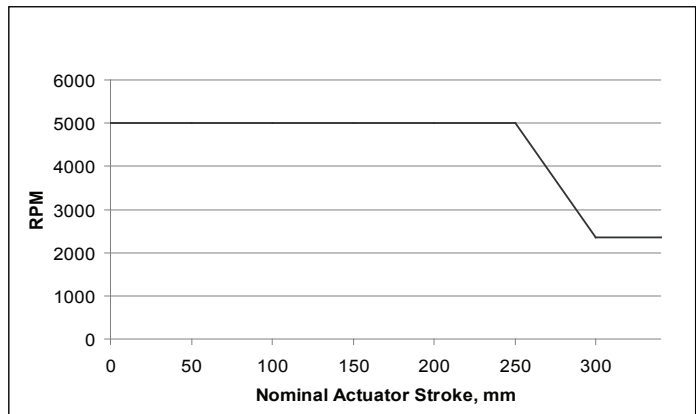
*Tie rods are available.

WARNING: Do not exceed these limits

VL-CT series - Maximum Permissible Carriage Velocity

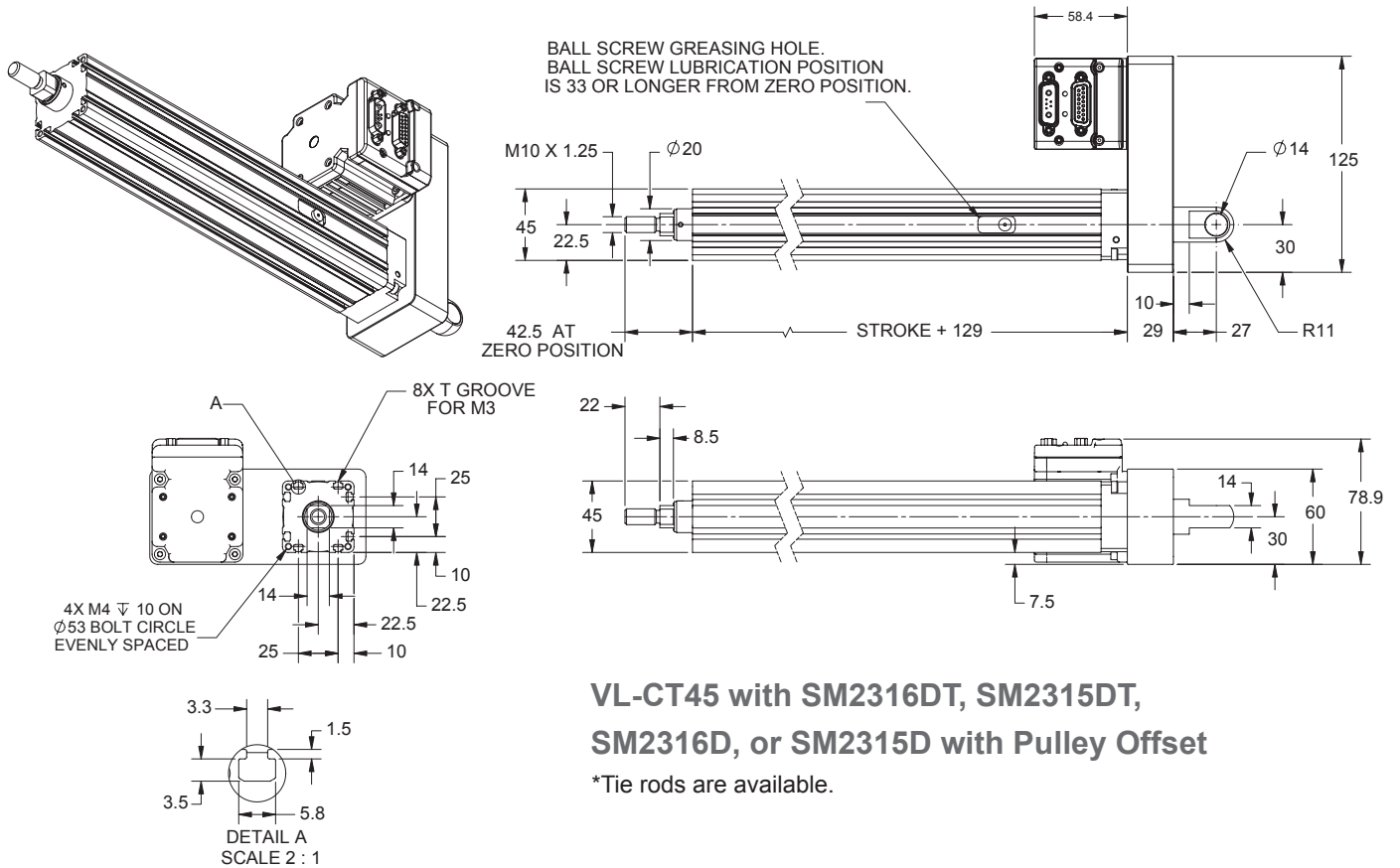


VL-CT series - Maximum Permissible Screw Speed



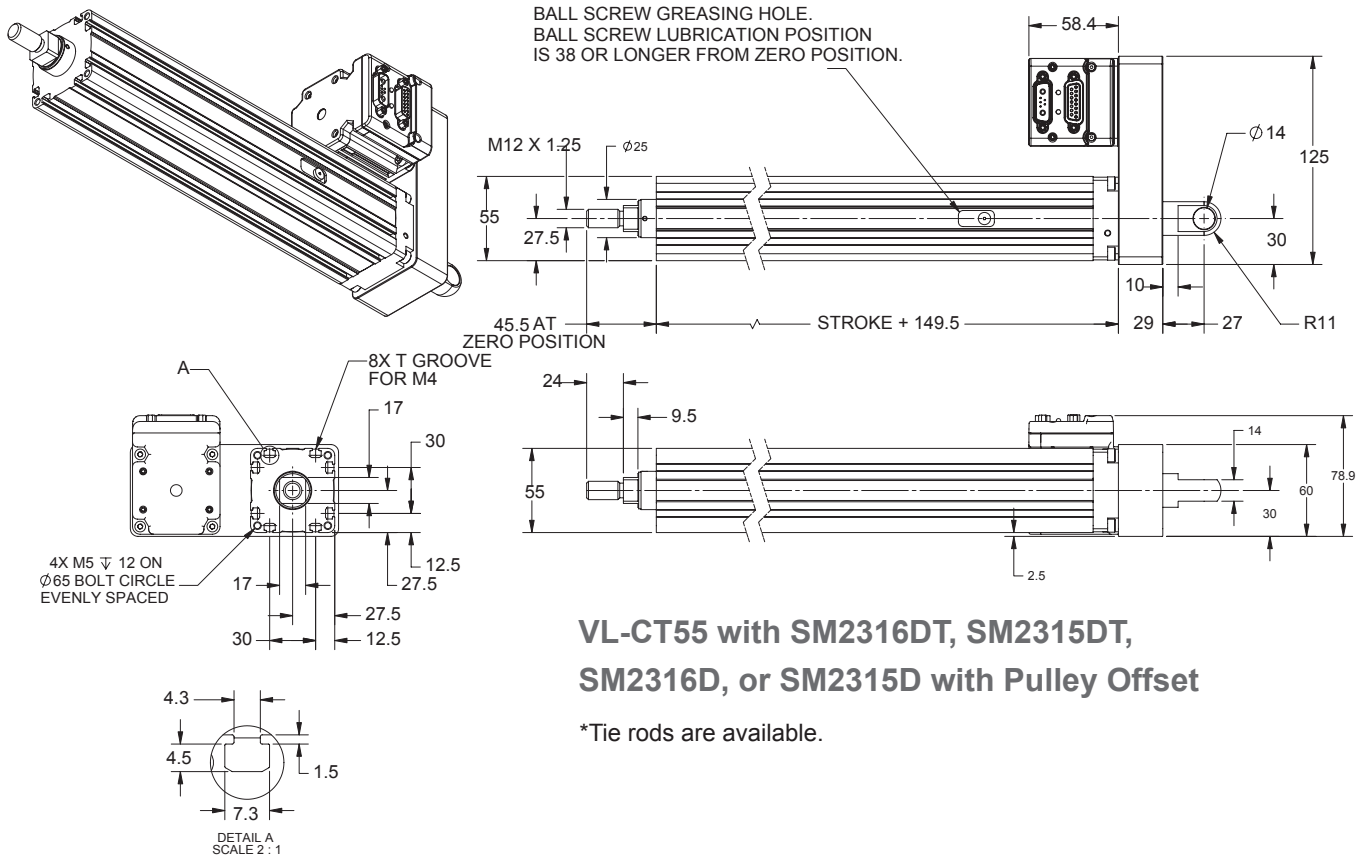
Actuators

VL-CT45/55 Pulley Offset



VL-CT45 with SM2316DT, SM2315DT, SM2316D, or SM2315D with Pulley Offset

*Tie rods are available.



VL-CT55 with SM2316DT, SM2315DT, SM2316D, or SM2315D with Pulley Offset

*Tie rods are available.