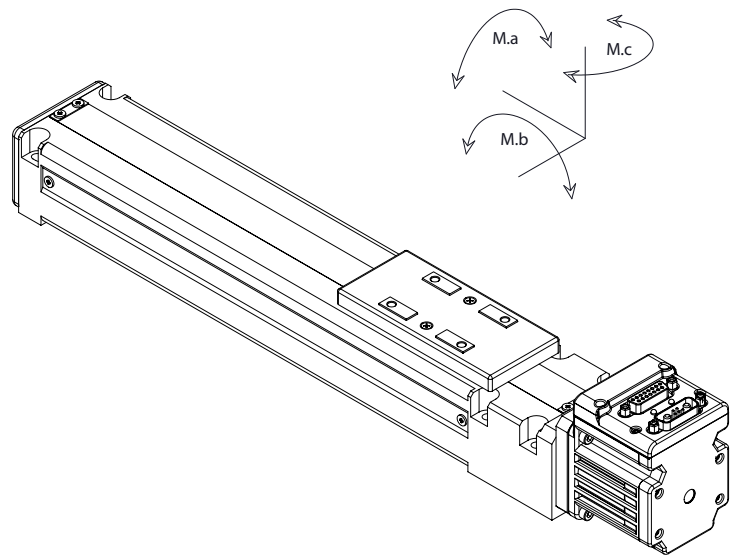


## VL-ST60 Product Specifications

Parameter	Value	Units
<b>Configuration &amp; Physical Parameters</b>		
Motor	Animatics SmartMotors Size 23	-
Coupling	Beam	-
Ball Screw Leads	6, 12	mm/rev
Position Sensors	consult factory	-
Stroke Lengths	50-600mm in 50mm steps + 700mm	mm
Overall Length	Stroke + 156 + motor	mm
Over-Travel	Approx 10	mm
Unit Mass	1.3349 + (stroke, mm)*0.0039	kg
<b>Performance</b>		
Unidirectional Repeatability	20	µm
Bi-directional Reapeatability	40	µm
Accuracy	0.021/300	mm/mm
Max Velocity	250 -1000 (stroke dependant)	mm/s
Max Acceration	0.3	G
Leads	6                      12	mm/rev
Payload Mass	13                      10	kg
Rated Velocity	200                      400	mm/s
Lifetime*	15000	hr
<b>Load Capacities, Dynamic* (Static)</b>		
Max Continuous Thrust	491                      245	N
Max Peak Thrust	788                      394	N
M.a, Carriage Moment	11.47 (58)              9 (58)	N*m
M.b, Carriage Moment	3.57 (25)                2.75 (25)	N*m
M.b, Carriage Moment	3.57 (25)                2.75 (25)	N*m



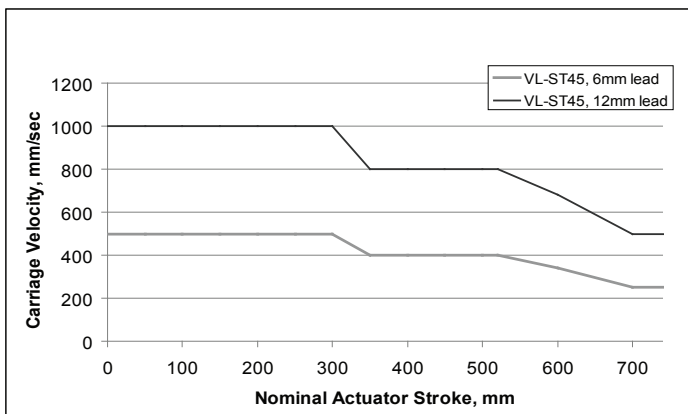
VL-ST60



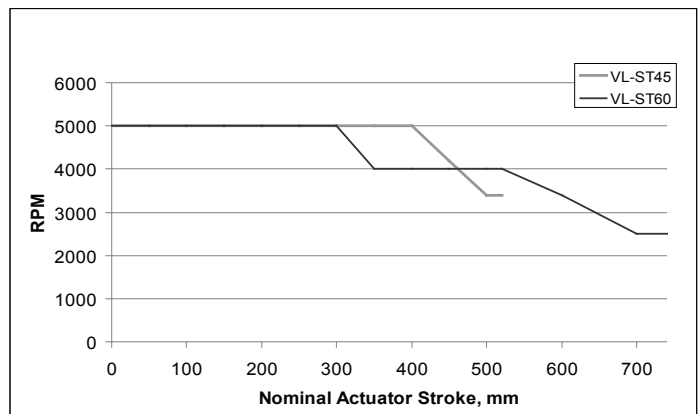
\* Based on operating at an average speed of the rated velocity at the given payload. The Lifetime will be significantly reduced operating above the Rated Velocity and/or given payload

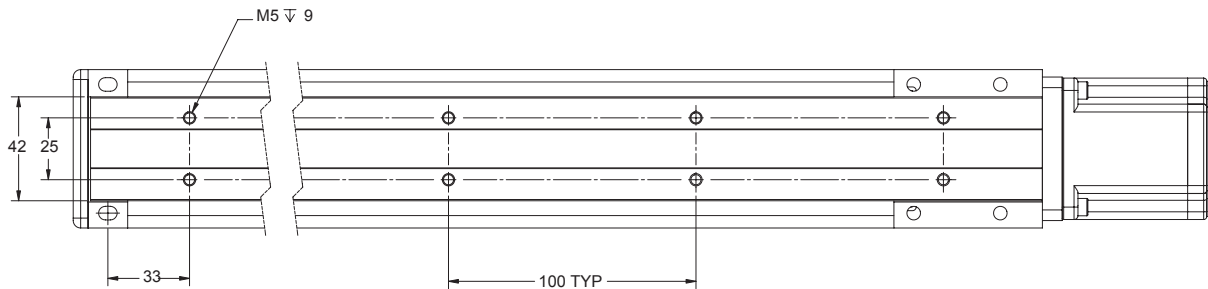
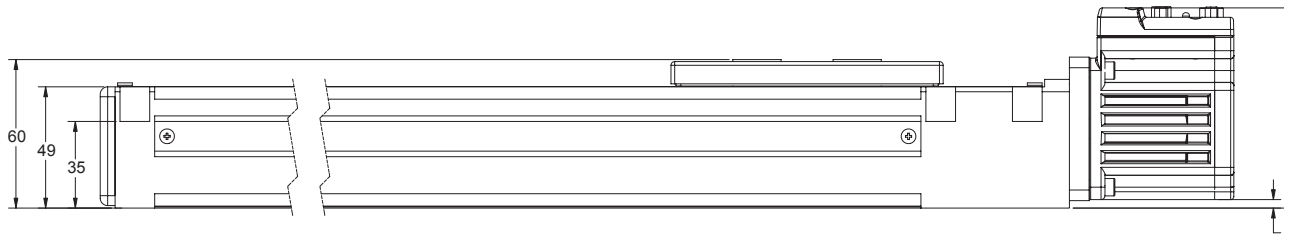
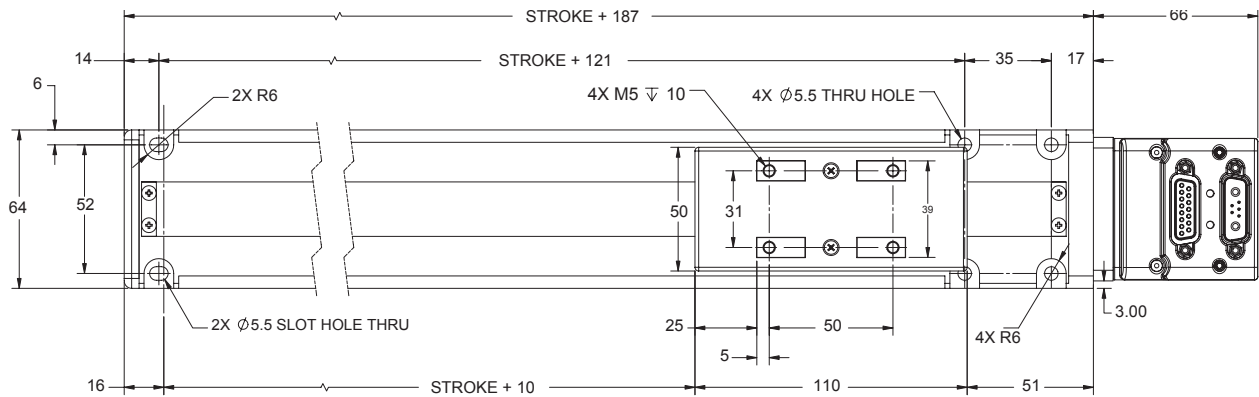
**WARNING: Do not exceed these limits**

VL-ST60 - Maximum Permissible Carriage Velocity



VL-ST series - Maximum Permissible Screw Speed





Dimensions in millimeters

Note: For part numbers please refer to our Website at [www.oemdynamics.com/partnumbers](http://www.oemdynamics.com/partnumbers) or to catalog page 5.

**Thrust Curve performance data in following section on pages 60-63.**