

ST5/10-IP Quick Setup Guide



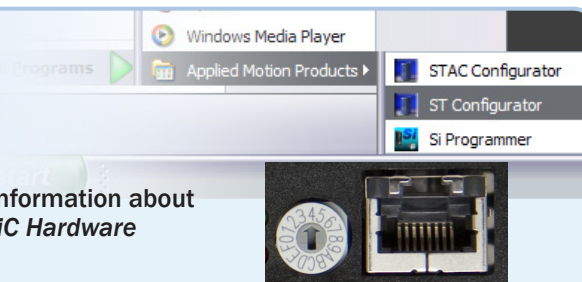
Requirements

To begin, make sure you have the following equipment:

- A compatible stepper motor.
- A small flat blade screwdriver for tightening the connectors (included).
- A personal computer running Microsoft Windows 98, NT, Me, 2000, XP, Vista, or 7.
- *ST Configurator™ Ethernet* and *Q Programmer* software (available at www.applied-motion.com).
- A CAT5 network cable (not included).
- For more detailed information, please download and read the *ST-QSiC Hardware Manual*, available at www.applied-motion.com/support/manuals.

Step 1

- Download and install the *ST Configurator™ Ethernet* software.
- Launch the software by clicking:
Start / Programs / Applied Motion Products / ST Configurator
- Connect the drive to your PC using a standard CAT5 cable.
- Select an appropriate IP address using the rotary switch. For more information about network configurations and IP addressing, please consult the *ST-QSiC Hardware manual*.



Step 2

- Wire the drive to the DC power source.
(do not apply power until all connections to the drive have been made)

Note, the ST5-IP accepts DC voltages from 24-48V, while the ST10-IP accepts DC voltages from 24-80V.

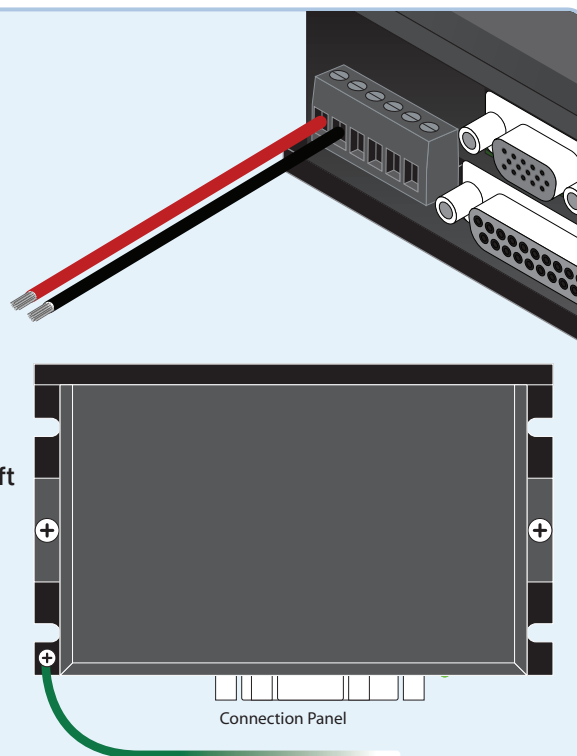
If using an external fuse, we recommend the following:

ST5-IP: 3AG, 7 amp (Littlefuse 313007P)

ST10-IP: 3AG, 7 amp (Littlefuse 313007P)

See the *ST-QSiC Hardware Manual* for more information about power supply and fuse selection.

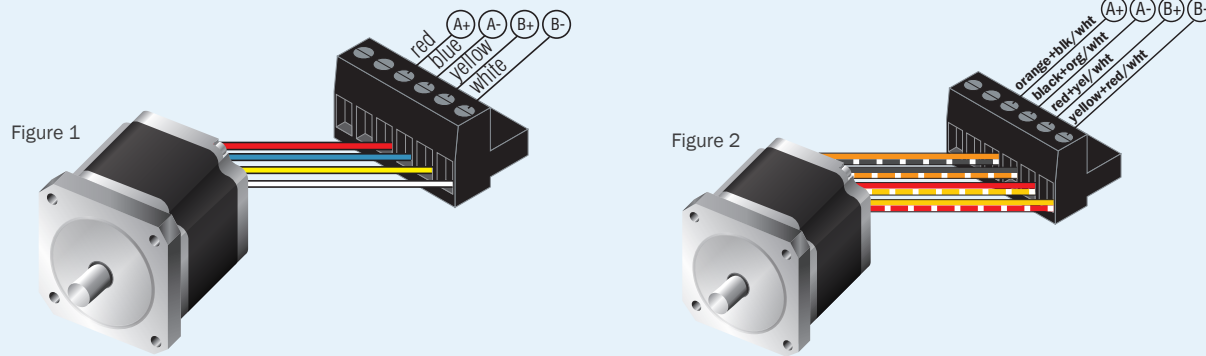
- Ensure a proper earth ground connection by using the screw on the left side of the chassis.



Step 3

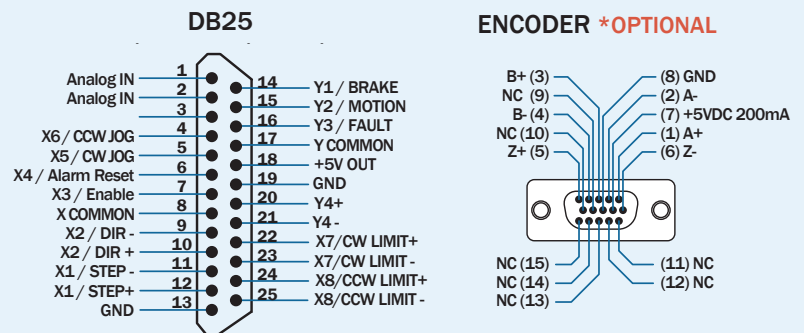
Warning - If you are using a non-Applied Motion motor, do not connect the motor until you have configured the drive for your motor. Refer to Step 5.

Connect the drive to the motor. Four lead motors can be connected in only one way, as shown in Figure 1. We recommend that eight lead motors be connected in parallel, as shown in Figure 2. If using a non-Applied Motion Products motor, please refer to your motor specs for wiring information.



Step 4

- Connect the I/O
- Connect the Encoder (optional)
- Connect to Ethernet network



Step 5

- Apply power to the drive.
- Follow the configuration instructions in the *ST Configurator™ Ethernet* help screens. The *ST Configurator™ Ethernet* software can be used to set up your drive for operation in several different modes including: pulse & direction, analog velocity, SCL, and Q programming. *ST Configurator™ Ethernet* software includes a self test option (under the Drive menu) to verify that the motor and power supply are correctly wired and configured.

The image shows three screenshots of the ST Configurator Ethernet software. The first screenshot shows the 'Motion Control Mode' selection screen with options for Pulse & Direction Mode, MultiAxis SNet Hub, Velocity (Tritonator) Mode, Serial Command Language (SCL), Q Program, and Si Program. The second screenshot shows the 'Motor' configuration screen for a standard motor (HT17-06S) with fields for Running Current, Motor Specs (Holding Torque, Rated Current, Rotor Inertia, Smoothing Gain, Phase), Load Inertia, and Idle Current/Current Delay. The third screenshot shows the 'I/O Configuration' screen with options for Motor Output (P, N, S, T), Brake (T), and various enable/disable settings for motor and brake.

If you have any questions or comments, please contact Applied Motion Products for support by calling 1-800-525-1609, emailing support@applied-motion.com, or visiting www.applied-motion.com/contact



404 Westridge Dr.
Watsonville, CA 95076
Tel: 800-525-1609
Fax: 831-761-6544
www.applied-motion.com