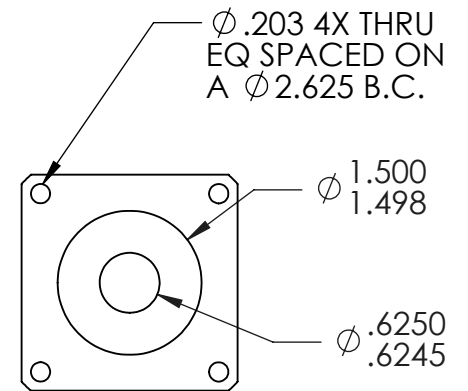


#605
WOODRUFF



PROPRIETARY AND CONFIDENTIAL
THE INFORMATION CONTAINED IN THIS DRAWING IS THE SOLE PROPERTY OF CARSON MFG INC. ANY REPRODUCTION IN PART OR AS A WHOLE WITHOUT THE WRITTEN PERMISSION OF CARSON MFG INC. IS PROHIBITED.

TYPE	23 EP	RATIO	DOUBLE
DRAWN	KRP	DATE	4/17/12
COMMENTS			

UNLESS OTHERWISE SPECIFIED:	
DIMENSIONS ARE IN INCHES	
TWO PLACE DECIMAL ±.010	
THREE PLACE DECIMAL ±.005	
FOUR PLACE DECIMAL ±.001	
BREAK SHARP CORNERS .015	
MAX FILLET RADIUS .015	
SURFACE FINISH 32	
HEAT TREAT	N/A
MATERIAL	N/A
FINISH	N/A
DO NOT SCALE DRAWING	

CARSON MFG INC

5001 GRUMMAN DR
CARSON CITY, NV 90706

TITLE:

SIZE	DWG. NO.	REV
A	23EPDOUBLE	

SCALE: 1:2	WEIGHT:	SHEET 1 OF 1
------------	---------	--------------