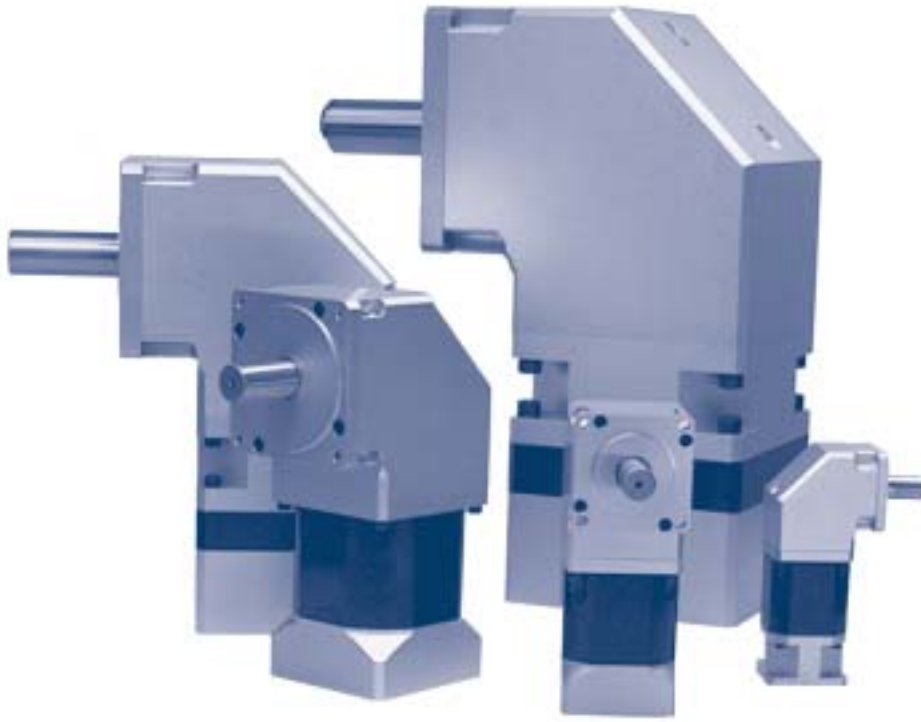




RIGHT ANGLE PLANETARY



OVERVIEW:

- We offer two lines of the Right Angle Planetary gearheads, the Right Angle Eliminator Planetary (RE) and the Right Angle Precision Planetary (RP).
- The Right Angle Eliminator Planetary line is offered in sizes 17, 23 & 34.
- The Right Angle Precision Planetary line is offered in sizes 17, 23, 34, 42 & 56.
- Standard ratios from 3:1 to 100:1.
- Capable of producing ratios up to 10,000:1.

RIGHT ANGLE PLANETARY



FEATURES:

- Enclosure rating = IP65.
- Operating temperature range = -20°F to 250°F.
- Hardened steel spiral miter gears.

