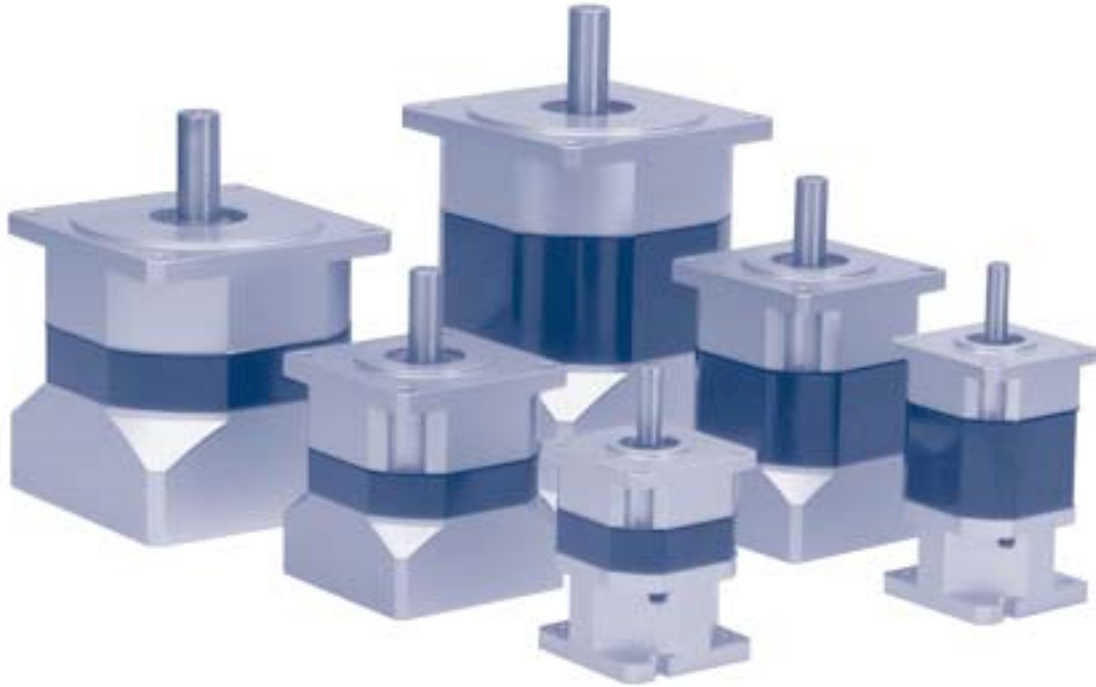




“S” SERIES PLANETARY (SP)



OVERVIEW:

- The “S” Series Planetary (SP) Line of gearheads is our most economical line designed for light duty applications.
- Made in sizes 17, 23 & 34 with standard ratios from 4:1 to 100:1. We are capable of producing ratios up to 10,000:1

"S" SERIES PLANETARY (SP)



FEATURES:

- Dynamic radial shaft seal at the input and sealed bearings at the output.
- Enclosure rating = IP54
- Operating temperature range = -20°F to 250°F.
- Aluminum hard anodized rear and front brackets with surface hardnesses of 60 rockwell.
- Alloy steel powder coated ring gear.
- Quality sealed radial ball bearings.
- Stainless steel output shaft.
- Hardened precision gearing throughout.
- Precision clamp on pinion to eliminate slippage.

