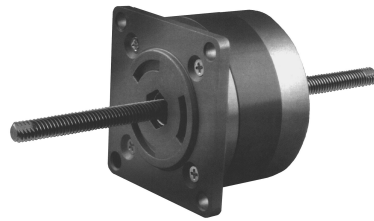


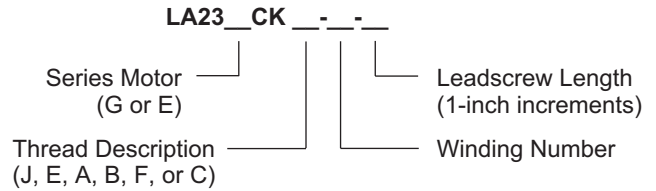
SIZE
23
2.25"
DIA

Linear Actuator

Conventional



Part Number Description



EADMotors Size 23 linear actuators are based on the 1.8° Size 23 hybrid stepping motor. As such, Size 23 linear actuators are bi-directional devices.

The internal rotating nut is made of SAE 660 bearing bronze and the actuating shaft is a rolled thread made of cold rolled steel.

Leadscrew lubrication is required for maximum life. Lubricants containing molybdenum disulfide are recommended. The lubricant used in tests conducted to develop these force speed curves is available in two tube sizes:

¼ oz. Leadscrew Lube
P/N 12210105

¾ oz. Leadscrew Lube
P/N 12210106

Note: Anti-backlash nuts can be made available.

Electrical Ratings

Model Number	Number of Leads	Unipolar Connection				Bipolar Connection				Rotor Inertia (oz.-insec ²)	Weight (ounces)
		Phase Voltage (VDC)	Phase Current (amps)	Phase Resistance (ohms)	Phase Inductance (mH)	Phase Voltage (VDC)	Phase Current (amps)	Phase Resistance (ohms)	Phase Inductance (mH)		
LA23GCK_-209	6	1.30	5.90	0.22	0.3	1.84	4.18	0.44	1.0	0.00081	14
LA23GCK_-210	6	4.00	1.54	2.60	3.2	5.70	1.10	5.20	12.7		
LA23GCK_-211	6	6.00	1.20	5.00	5.4	8.50	0.85	10.00	21.6		
LA23GCK_-212	6	12.00	0.60	20.00	21.6	17.00	0.42	40.00	86.4		
LA23GCK_-213	6	24.00	0.30	80.00	81.2	34.00	0.21	160.00	324.6		
LA23GCK_-M100	4					6.0	1.00	5.90	16.9		
LA23GCK_-M200	4					3.0	2.00	1.50	4.2		
LA23GCK_-M300	4					2.0	3.00	0.66	1.9		
LA23GCK_-M400	4					1.5	4.00	0.37	1.1		
LA23ECK_-3	6	1.40	3.89	0.36	0.6	2.00	2.78	0.72	2.4	0.00166	19
LA23ECK_-6	6	3.40	1.55	2.20	4.1	4.80	1.09	4.40	16.2		
LA23ECK_-4	6	5.10	1.00	5.10	9.7	7.20	0.71	10.20	38.9		
LA23ECK_-11	6	6.00	0.97	6.20	10.6	8.50	0.68	12.40	42.4		
LA23ECK_-12	6	12.00	0.48	25.00	41.19	17.00	0.34	50.00	164.76		
LA23ECK_-13	6	24.00	0.25	96.00	131.40	34.00	0.18	192.00	525.60		
LA23ECK_-M100	4					5.6	1.00	5.6	25.6		
LA23ECK_-M200	4					2.8	2.00	1.4	6.4		
LA23ECK_-M300	4					1.9	3.00	0.62	2.8		
LA23ECK_-M400	4					1.4	4.00	0.35	1.6		

Leadscrew Specifications

Letter Designation	Description	Thread Lead (inches)	Linear Travel per 1.8° Step (inches)	Maximum Linear Force (pounds)			
				GCK Unipolar	GCK Bipolar	ECK Unipolar	ECK Bipolar
J	1/4-40UN	0.0250	0.000125	60	76	100	140
E	1/4-20ACME	0.0500	0.000250	54	68	90	126
A	1/4-16ACME	0.0625	0.0003125	54	68	90	126
B	1/4-16ACME(2)*	0.1250	0.000625	45	57	75	105
F	1/4-20ACME(4)*	0.2000	0.001000	36	46	60	84
C	1/4-16ACME(4)*	0.2500	0.001250	30	38	50	70

* Number of starts to the leadscrew: (2) = 2 starts, (4) = 4 starts, etc.

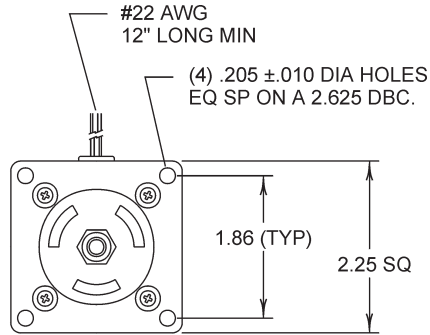
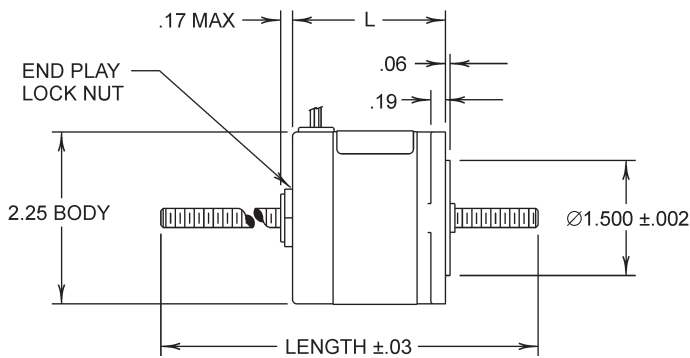
Solutions in motion



Linear Actuator

Conventional

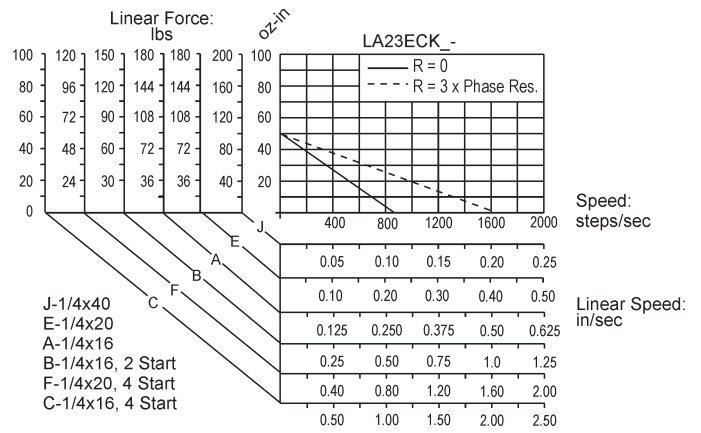
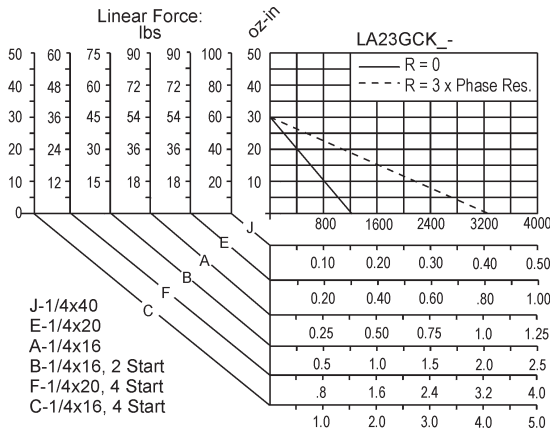
SIZE
23
2.25" DIA



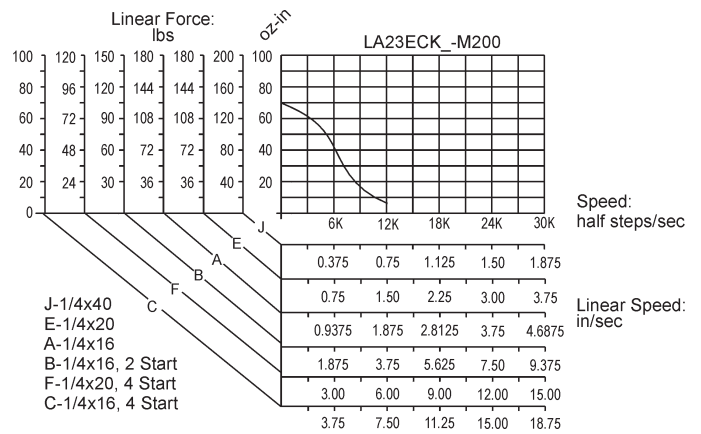
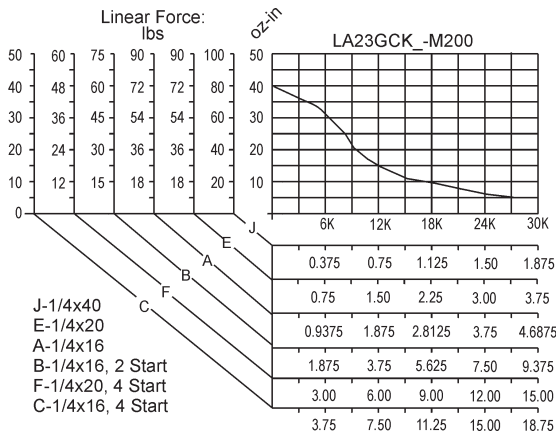
Size 23	
Model Series	Dimension "L" (inches)
LA23GCK	1.6
LA23ECK	2.0

See page 38 for Connection Diagrams.

Typical Unipolar Performance (6 Lead Motor): Constant Voltage Drive (L/R), 2 Phase On



Typical Bipolar Performance: 40 VDC Power Supply, 2 Amps/Phase



Solutions in motion

