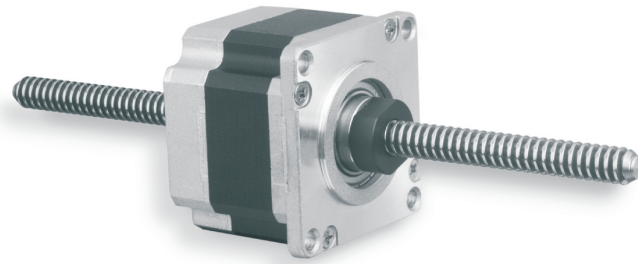


DuraPlus Linear Actuator

SIZE
L2
2.22"
SQ

High Torque



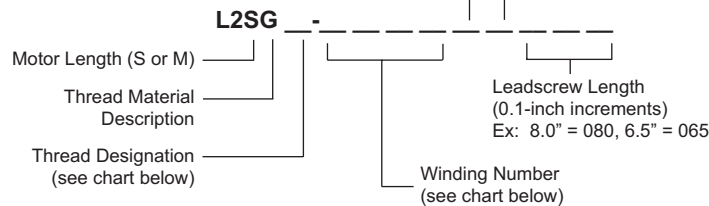
EADmotors high torque Size 23 stepping motors and our new *DuraPlus* system have been combined in our L2 series actuator. The L2 frame *DuraPlus* actuator is a precision engineered device based on a high performance 1.8° stepping motor with an integrated rotating nut. The nut is fabricated from a wide range of optional engineered polymers or SAE 660 bearing bronze to suit the application requirement. The standard polymer used for the catalog offering is Delrin AF. Visit www.eadmotors.com for details.

The actuating screw is made of precision rolled steel designed to minimize tolerances in positioning applications. When combined with the polymer nut, the *DuraPlus* system provides longer life and smoother, quieter operation than conventional designs.

Leadscrew lubrication is not required for polymer nuts; however, it is recommended for maximum life. Consult the factory for assistance with choice of lubricants.

Note: Anti-backlash nuts, custom leadscrews, and anti-rotation options are available.

Part Number Description



Encoder Option	
B	100 CPR
C	200 CPR
E	400 CPR
F	500 CPR
X	No Encoder
* Consult factory for encoder details.	

Standard Leadscrew End Features	
M	1/4-20 UNC-2A
N	1/4-28 UNF-2A
P	M6 x 1.0
R	∅ .235/.236 (6mm)
X	None

Electrical Ratings

Model Number	Number of Leads	Unipolar Connection				Bipolar Connection				Rotor Inertia (oz-in-sec ²)	Weight (ounces)
		Phase Voltage (VDC)	Phase Current (amps)	Phase Resistance (ohms)	Phase Inductance (mH)	Phase Voltage (VDC)	Phase Current (amps)	Phase Resistance (ohms)	Phase Inductance (mH)		
L2SG_H05	6	11.90	0.50	23.50	41.4	16.8	0.35	47.00	165.6	0.002	17
L2SG_H1	6	6.00	1.00	6.00	10.8	8.49	0.71	12.00	43.2		
L2SG_H2	6	3.00	2.00	1.57	2.6	4.24	1.41	3.14	10.4		
L2SG_H3	6	1.80	3.00	0.61	1.0	2.55	2.12	1.22	4.0		
L2SG_M100	4					5.80	1.00	5.78	20.3		
L2SG_M200	4					3.00	2.00	1.50	5.2		
L2SG_M300	4					1.80	3.00	0.60	2.0		

H05-H3 available with 4 leads (M05-M3).

Leadscrew Specifications

Letter Designation	Thread Description*	Thread Lead (inches)	Linear Travel per 1.8° Step (inches)	Unipolar Maximum Force (pounds)	Bipolar Connection Maximum Linear Force (pounds)
Q	3/8-20ACME	0.0500	0.00025	100	125
T	3/8-16ACME	0.0625	0.0003125	98	115
S	3/8-10ACME	0.1000	0.000500	85	100

* Anti-backlash nuts and custom leadscrew options are available.

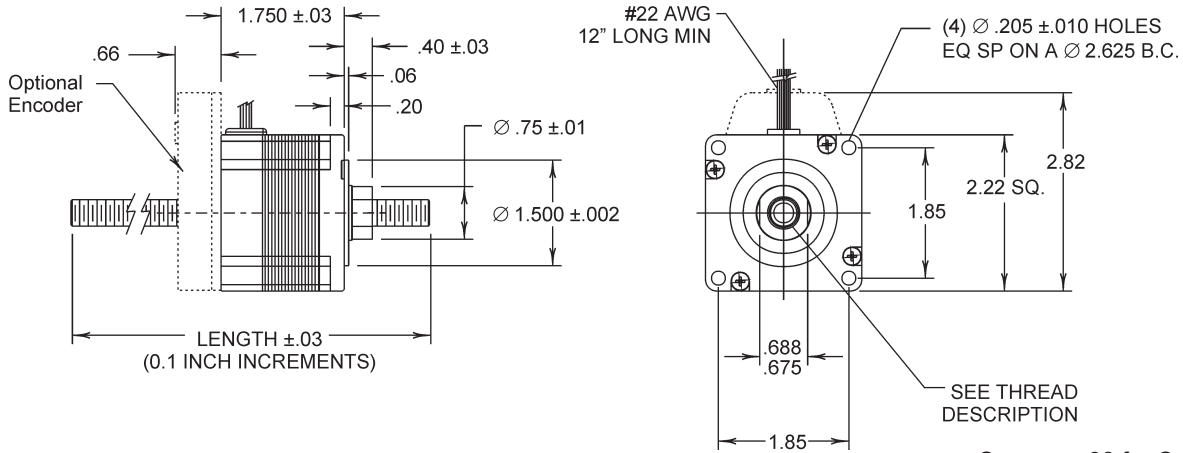
Solutions in motion



DuraPlus Linear Actuator

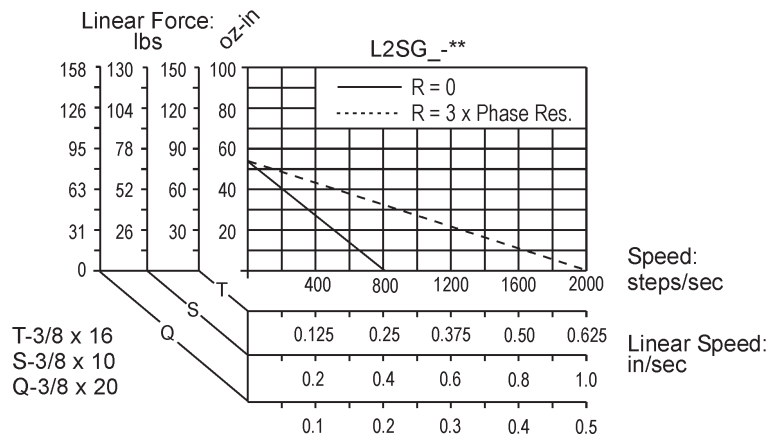
High Torque

SIZE
L2
2.22"
SQ

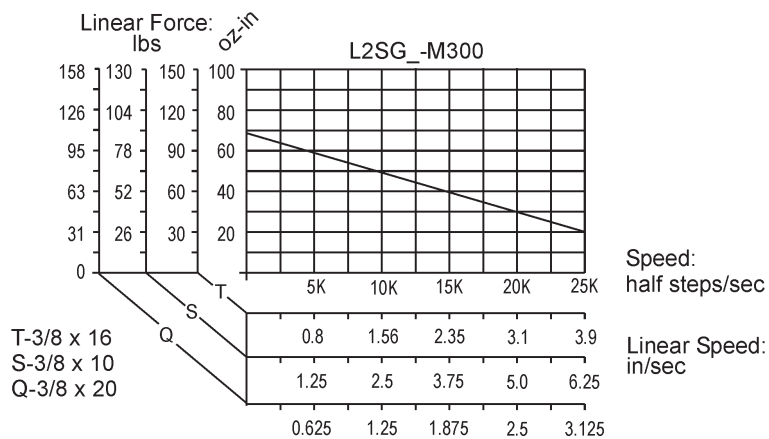


See page 38 for Connection Diagrams.

Typical Unipolar Performance (6 Lead Motor): Constant Voltage Drive (L/R), 2 Phase On



Typical Bipolar Performance: 80 VDC Power Supply, 3 Amps/Phase



Solutions in motion

