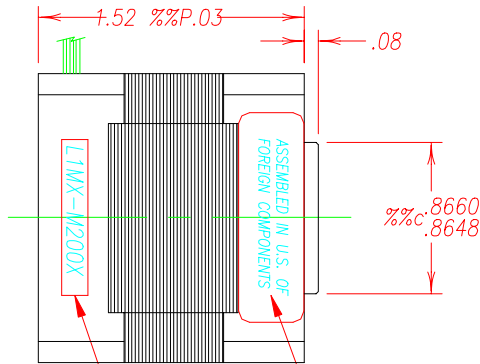


L1MX-M200X

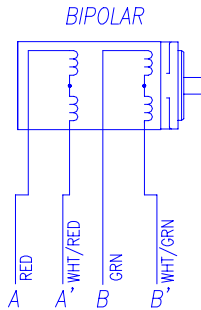
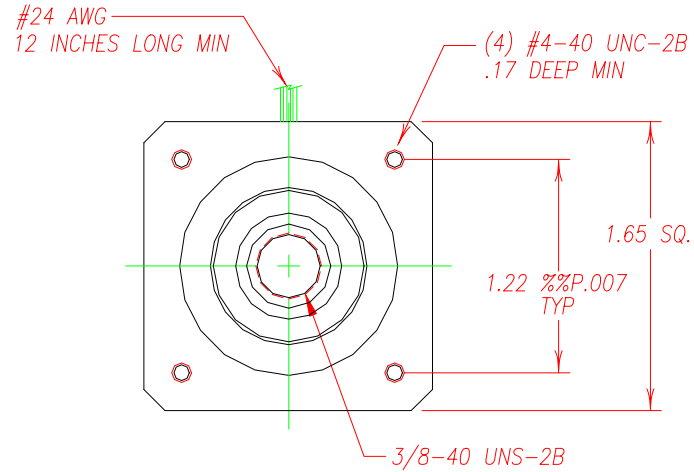
CAD CONTROLLED

08-07-01 14:25:25



STAMP "MOTOR NUMBER"

LABEL



TWO PHASE ON

STEP	A	A'	B	B'
1	+	-	+	-
2	+	-	-	+
3	-	+	-	+
4	-	+	+	-

CW ROT'N (LEAD END) ↑
CCW ROT'N (LEAD END) ↓

Motor Number	Bipolar Connection					Rotor Inertia (oz-in-sec ²)	Weight (ounces)
	Number of Leads	Phase Voltage (VDC)	Phase Current (amps)	Phase Resistance (ohms)	Phase Inductance (mH)		
L1MX-M200	4	2.4	2.0	1.2	2.3	0.00081	9.0

				MATERIAL	2 PL = ±.02 3 PL = ±.005 ANGLES = ±30°	SIGNATURE	DATE	TITLE	HI-TORQUE OUTLINE	
				FINISH	BLACK - LAM STACK ONLY	DRN	10-30-01	SCL		L1MX-M200X
A				THIS DRAWING AND/OR SPECIFICATION IS THE PROPERTY OF EADmotors, IS ISSUED IN STRICT CONFIDENCE AND SHALL NOT BE REPRODUCED, COPIED OR USED AS THE BASIS FOR THE MANUFACTURE OR SALE OF APPARATUS, WITHOUT PRIOR WRITTEN PERMISSION.			APVD	1 OF 1	EADmotors DOVER, N.H. USA	
SYM	DESCRIPTION	ECN	DR	DATE		50168701				