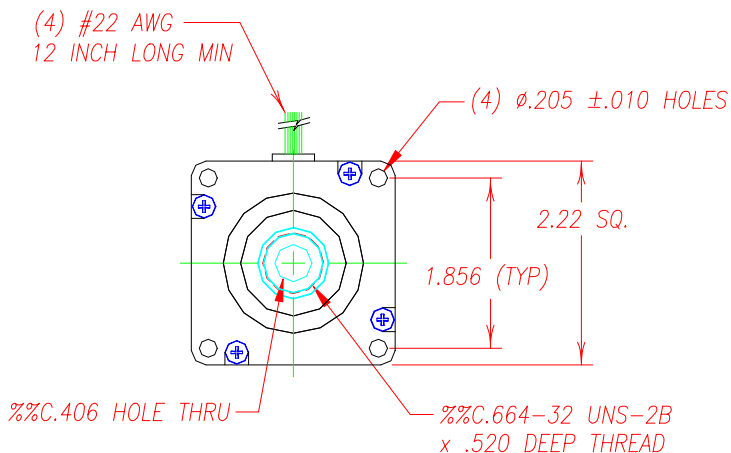
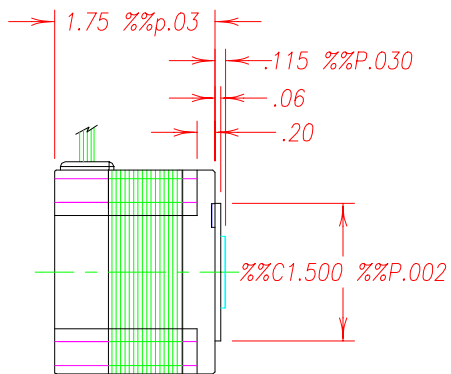


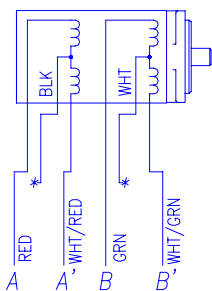
L2SX-M200X

CAD CONTROLLED

03-27-01 11:32:45



BIPOLAR



CW ROT'N (LEAD END) ↓

STEP	A	A'	B	B'
1	+	-	+	-
2	+	-	-	+
3	-	+	-	+
4	-	+	+	-

↑ CCW ROT'N (LEAD END)

TWO PHASE ON

Bipolar Connection							
Motor Number	Number of Leads	Phase Voltage (VDC)	Phase Current (amps)	Phase Resistance (ohms)	Phase Inductance (mH)	Rotor Inertia (oz-in-sec <sup>2</sup> )	Weight (ounces)
L2SX-M200X	4	1.80	3.00	0.60	2.0	0.002	17.1

MATERIAL					2 PL = $\pm$ .02		SIGNATURE		DATE		TITLE	
					3 PL = $\pm$ .005		DRN		10/30/01		HI-TORQUE OUTLINE	
FINISH					ANGLES = $\pm$ 30'		CHKD		SCL		SHT	
					APVD		1 : 2		1 OF 1		L2SX-M200X	
A					THIS DRAWING AND/OR SPECIFICATION IS THE PROPERTY OF EADmotors, IS ISSUED IN STRICT CONFIDENCE AND SHALL NOT BE REPRODUCED, COPIED OR USED AS THE BASIS FOR THE MANUFACTURE OR SALE OF APPARATUS, WITHOUT PRIOR WRITTEN PERMISSION.							
SYM	DESCRIPTION	ECN	DR	DATE	50178003			EADmotors DOVER, N.H. USA				