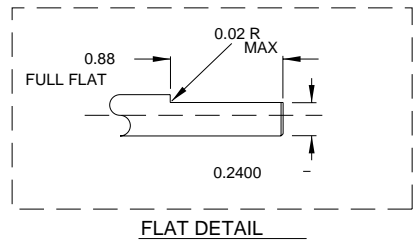
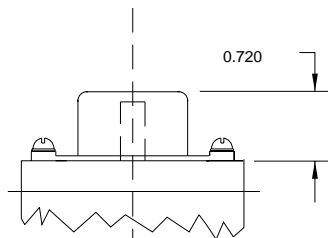


**FIGURE 1**

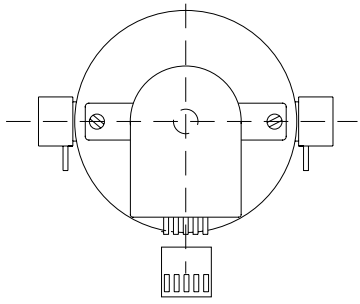


**FLAT DETAIL**

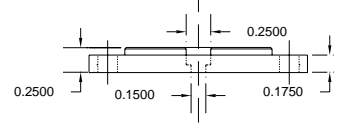


ENCODER SPECS.	
INPUT .....	5 VDC
OUTPUT .....	5V TTL
CHANNELS .....	A,B,Z
RESOLUTION .....	500 PPR
TERMINATION .....	PINS*

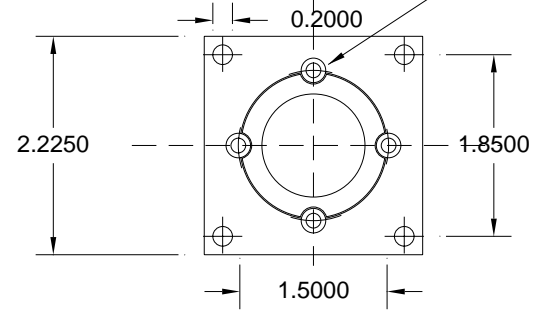
\*MATING CONN. SUPPLIED



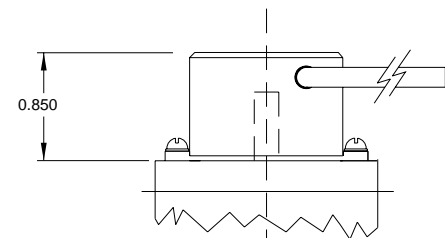
**FIGURE 2**



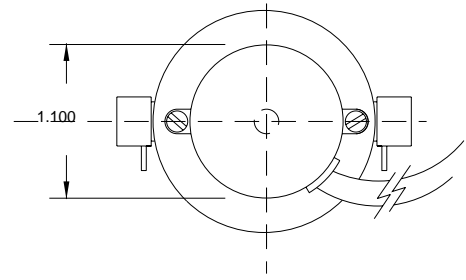
4 HOLES EQUALLY SPACED  
COUNTERSINK ON A 1.531  
DIA. BC..



**FIGURE 3**



ENCODER SPECS.	
INPUT .....	5 VDC
OUTPUT .....	5V LINE DRIVER
CHANNELS .....	A,B,Z WITH COMP.
RESOLUTION .....	1000 PPR
TERMINATION .....	3FT CABLE



**FIGURE 4**