

Model 758



Features

- Standard Size 58 Mounting (58 mm Diameter)
- Up to 30,000 CPR
- 80 lb Max. Axial and Radial Shaft Loading
- High Temperature Option (100° C)
- IP66 Sealing Available

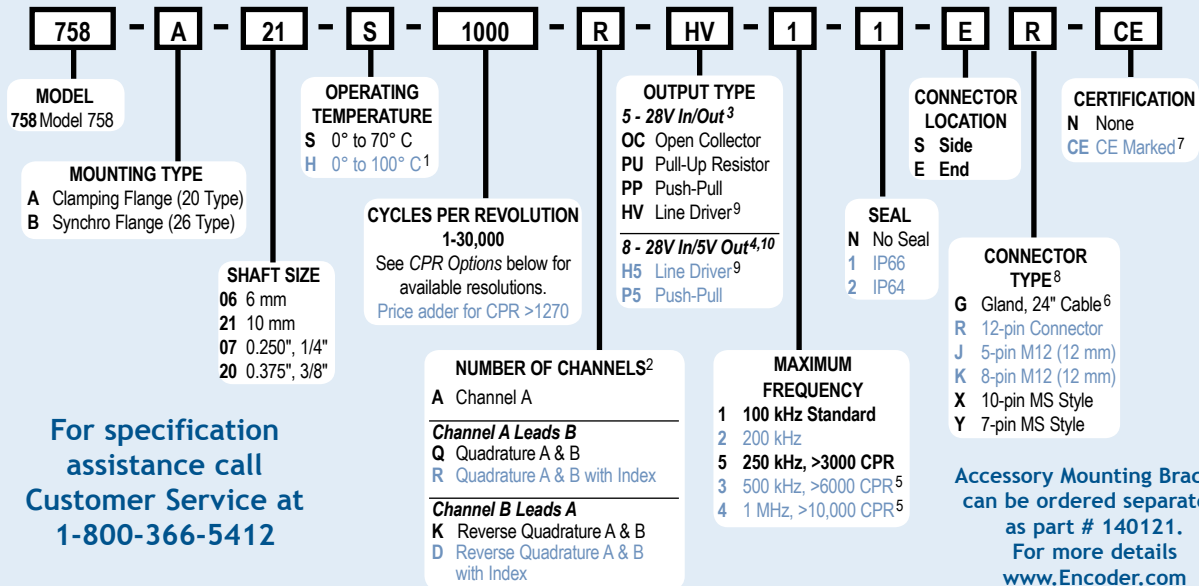
The Model 758 Size 58 Accu-Coder™ is a heavy duty, extremely rugged, reliable, yet compact European standard 58 millimeter diameter encoder, designed for harsh factory and plant floor environments. Shaft loading is no problem for the double-shielded ball bearings; their 80 lb load rating ensures a long operating life. With the optional heavy-duty shaft seal, the Model 758 is rated IP66 (NEMA 4 & 13). Two European standard mounting options are available: Clamping Flange (20 type) or Synchro Flange (26 type). The Model 758 is the perfect replacement encoder for units requiring the European mount.

Common Applications

Motion Control Feedback, Machine & Elevator Controls, Food Processing, Robotics, Material Handling, Conveyors, Textile Machines

Model 758 Ordering Guide

Blue type indicates price adder options. Not all configuration combinations may be available. Contact Customer Service for details.



Model 758 CPR Options

0001*	0002*	0004*	0005*	0006*	0007*	0008*	0010*	0011*
0012*	0014*	0020	0021*	0024*	0025*	0028*	0030*	0032*
0033*	0034*	0035*	0038*	0040*	0042*	0045*	0050*	0060
0064*	0100	0120	0125	0128*	0144*	0150*	0160*	0192*
0200	0240*	0250	0254*	0256*	0300	0333*	0360	0400
0500	0512	0600	0625*	0635	0665*	0720	0768*	0800
0889	0900*	1000	1024	1200	1201* ^a	1203* ^a	1204* ^a	1250 ^a
1270 ^a	1440	1500	1800	2000	2048	2400 ^a	2500	2540 ^a
2880 ^a	3000 ^a	3600 ^a	4000 ^a	4096 ^a	5000 ^a	6000 ^a	7200 ^a	7500 ^a
9000 ^a	10,000 ^a	10,240 ^a	12,000 ^a	12,500 ^a	14,400 ^a	15,000 ^a	18,000 ^a	20,000 ^a
20,480 ^a	25,000 ^a	30,000 ^a						

* Contact Customer Service for High Temperature Option.

^a High Temperature Option (H) limited to 85° C maximum for these CPR options.

New CPR values are periodically added to those listed. Contact Customer Service to determine all currently available CPR values. Special disk resolutions are available upon request. A one-time NRE fee may apply.

NOTES:

- 1 0° to 85° C for certain resolutions, see CPR Options.
- 2 Contact Customer Service for index gating options.
- 3 24 VDC max for high temperature option.
- 4 Standard temperature, 60 to 3000 CPR only.
- 5 Standard cable lengths only. For details, please refer to **Technical Bulletin TB116: Noise and Signal Considerations** at www.encoder.com.
- 6 For Non-Standard Cable Lengths add a forward slash (/) plus cable length expressed in feet. Example: SG/6 = 6 feet of cable.
- 7 Please refer to **Technical Bulletin TB100: When to Choose the CE Option**.
- 8 For mating connectors, cables, and cordsets, see Electrical Accessories on the web at www.encoder.com.
- 9 Not available with 5-pin M12 connector. Available with 7-pin MS Type Connector only without Index Z.
- 10 H5 and P5 outputs are not available with CE option, or any End Mount MS Connector

Model 758

Model 758 Specifications

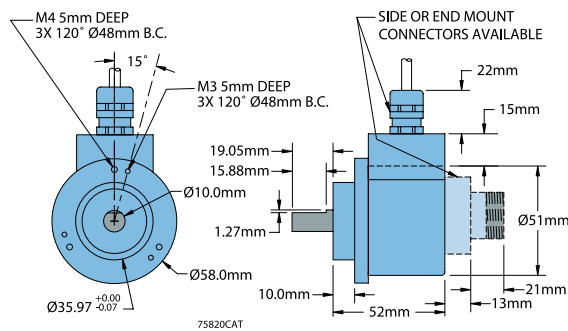
Electrical

Input Voltage	4.75 to 28 VDC max for temperatures up to 70° C 4.75 to 24 VDC for temperatures between 70° C to 100° C
Input Current	100 mA max with no output load
Input Ripple	100 mV peak-to-peak at 0 to 100 kHz
Output Format	Incremental- Two square waves in quadrature with channel A leading B for clockwise shaft rotation, as viewed from the encoder mounting face. See <i>Waveform Diagrams</i> below.
Output Types	Open Collector- 100 mA max per channel Pull-Up- 100 mA max per channel Push-Pull- 20 mA max per channel Line Driver- 20 mA max per channel (Meets RS 422 at 5 VDC supply)
Index	Occurs once per revolution. The index for units >3000 CPR is 90° gated to Outputs A and B. See <i>Waveform Diagrams</i> below.
Max Frequency	Up to 1 MHz
Noise Immunity	Tested to BS EN61000-4-2; IEC801-3; BS EN61000-4-4; DDENV 50141; DDENV 50204; BS EN55022 (with European compliance option); BS EN61000-6-2; BS EN50081-2
Symmetry	1 to 6000 CPR: 180° (±18°) electrical at 100 kHz output 6001 to 20,480 CPR: 180° (±36°) electrical
Quad Phasing	1 to 6000 CPR: 90° (±22.5°) electrical at 100 kHz output 6001 to 20,480 CPR: 90° (±36°)
Min Edge Sep.	1 to 6000 CPR: 67.5° electrical at 100 kHz output 6001 to 20,480 CPR: 54° electrical >20,480 CPR: 50° electrical
Rise Time	Less than 1 microsecond
Accuracy	Instrument and Quadrature Error: For 200 to 1999 CPR, 0.017° mechanical (1.0 arc minutes) from one cycle to any other cycle. For 2000 to 3000 CPR, 0.01° mechanical (0.6 arc minutes) from one cycle to any other cycle. Interpolation error (units > 3000 CPR only) within 0.005° mechanical. (Total Optical Encoder Error = Instrument + Quadrature + Interpolation)

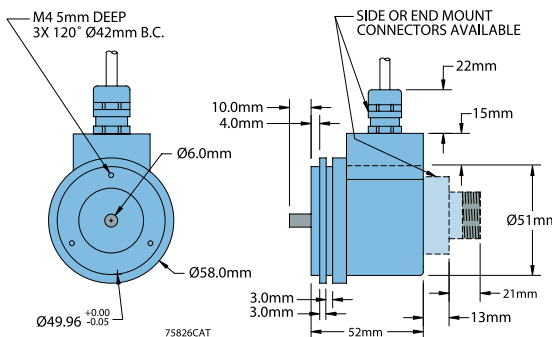
Mechanical

Max Shaft Speed	8000 RPM. Higher shaft speeds may be achievable, contact Customer Service.
Shaft Size	0.250", or 0.375", 6 mm, 10 mm
Shaft Rotation	Bi-directional
Radial Shaft Load	80 lb max. Rated load of 20 to 40 lb for bearing life of 1.5×10^9 revolutions
Axial Shaft Load	80 lb max. Rated load of 20 to 40 lb for bearing life of 1.5×10^9 revolutions
Starting Torque	1.0 oz-in typical with IP64 seal or no seal 3.0 oz-in typical with IP66 shaft seal
Moment of Inertia	5.2×10^{-4} oz-in-sec ²
Max. Acceleration	1×10^5 rad/sec ²
Electrical Conn	Gland with 24" cable (foil and braid shield, 24 AWG conductors) 7- or 10-pin MS Style, 12-pin connector, 5- or 8-pin M12 (12 mm)
Housing	Black non-corrosive finish
Bearings	Precision ABEC ball bearings
Mounting	European Standard Clamping Flange (20 Type) and Synchro Flange (26 Type)
Weight	11 oz typical
Environmental	
Operating Temp	0° to 70° C for standard models 0° to 100° C for high temperature option (0° to 85° C for certain resolutions, see CPR Options)
Storage Temp	-25° to +85° C
Humidity	98% RH non-condensing
Vibration	20 g @ 58 to 500 Hz
Shock	75 g @ 11 ms duration
Sealing	IP66 (NEMA 13 and 4/4X) shaft seal or IP64 shaft seal

Model 758 Clamping Flange 20 Type (A)

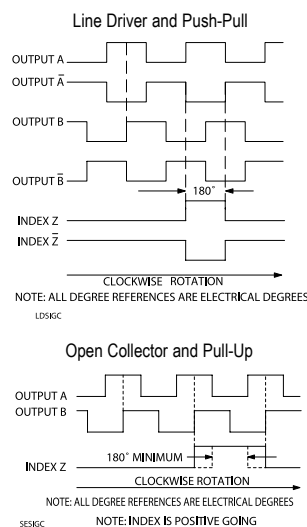


Model 758 Synchro Flange 26 Type (B)



All dimensions are in millimeters with a tolerance of ±0.17 mm unless otherwise specified

Waveform Diagrams



Wiring Table

Function	Gland Cable Wire Color	5-pin M12 ²	8-pin M12 ²	10-pin MS	7-pin MS HV, HS	7-pin MS PU, PP, P5, OC	12-pin
Com	Black	3	7	F	F	F	10
+VDC	Red	1	2	D	D	D	12
A	White	4	1	A	A	A	5
A'	Brown	---	3	H	C	---	6
B	Blue	2	4	B	B	B	8
B'	Violet	---	5	I	E	---	1
Z	Orange	5	6	C	---	C	3
Z'	Yellow	---	8	J	---	---	4
Shield	Bare ¹	---	---	---	---	---	---
+VDC Sense	---	---	---	---	---	---	2
Com Sense	---	---	---	---	---	---	11
Case	Green	---	---	G	G	G	9

¹CE Option: Cable shield (bare wire) is connected to internal case
²CE Option: Read Technical Bulletin TB111