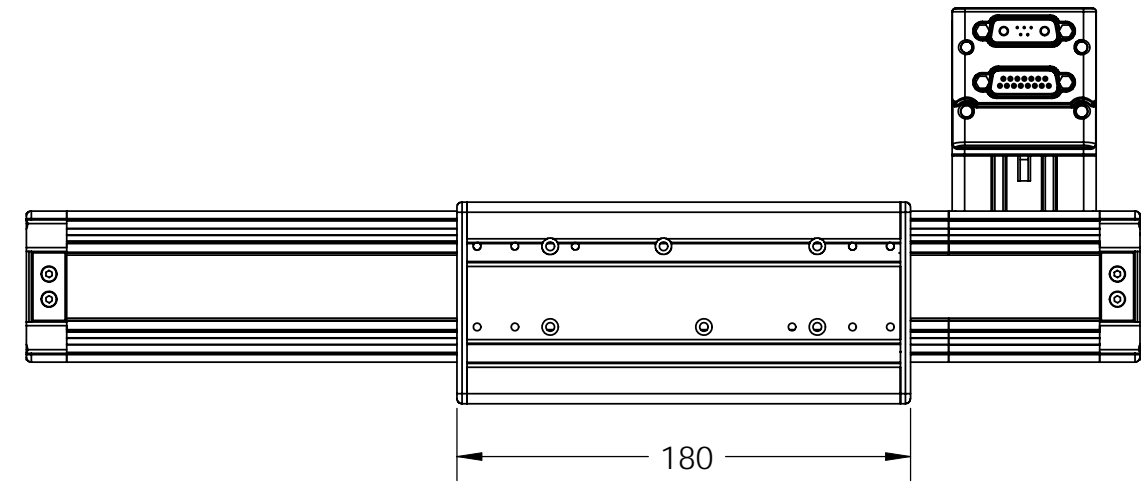
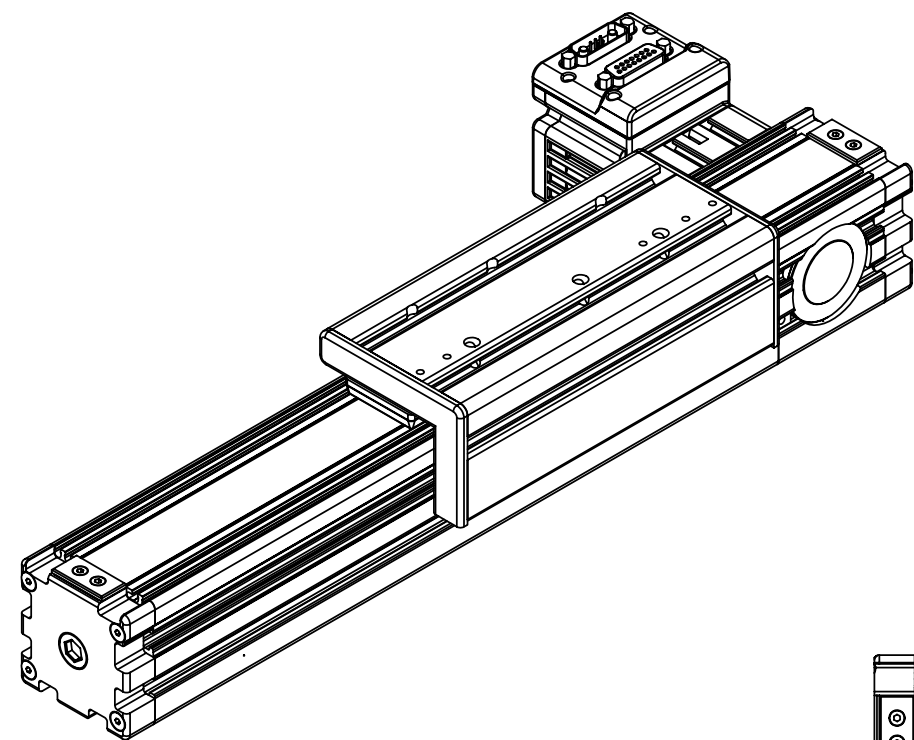
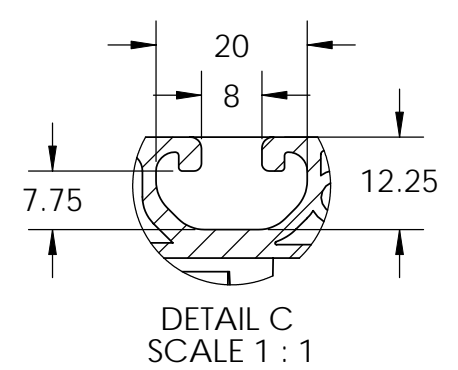
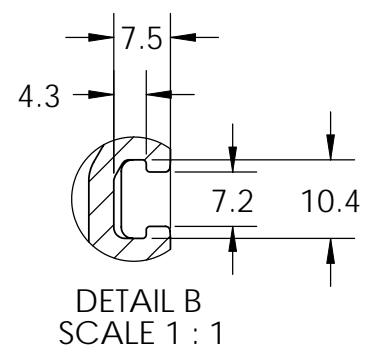
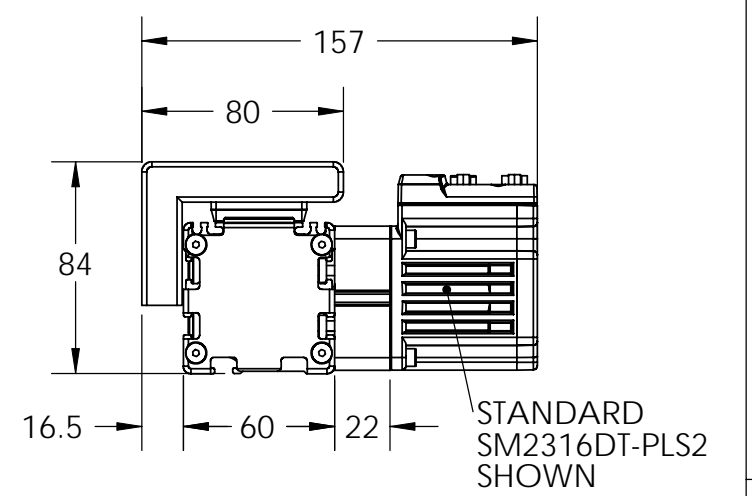
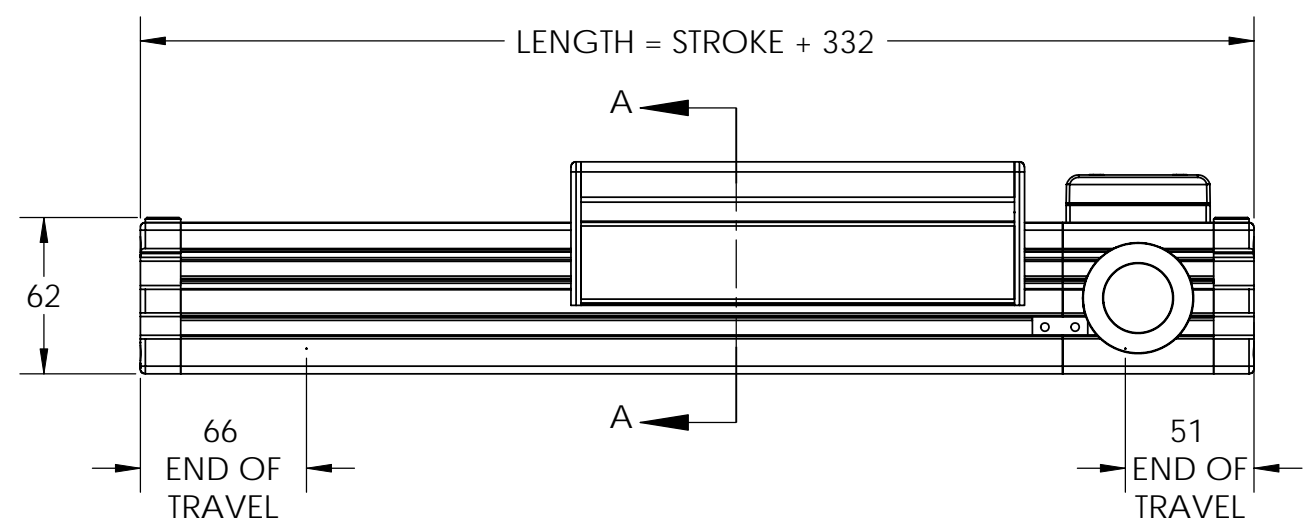
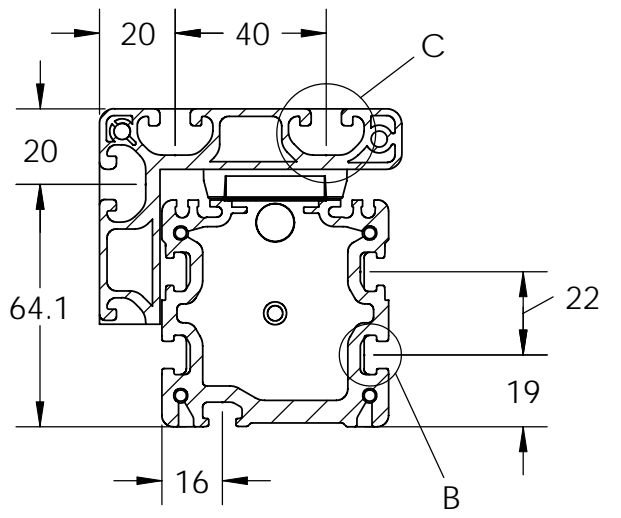


Additional Specifications for HLD60 with Internal Roller Bearing	
Parameter	Value
Motor	Animatics SM2316DT-PLS2, SM23165DT, SM2337DT-PLS2
Displacement/Rev.	2.5, 5, 10, or 12.5 mm/Rev available
Position sensors	Optional Home & EOT limits
Stroke	110 to 3200 mm
Over-travel (mm)	Contact factory for stroke above 3200mm
Unit mass (kg)	Approx 35
For additional performance, accuracy, and loading data please consult the online or printed catalog.	



SECTION A-A  
SCALE 1 : 2



THIS DOCUMENT AND ENTIRE INFORMATION HERON ARE PROPRIETARY TO OEM DYNAMICS / ANIMATICS CORP. AND SHALL NOT BE USED IN ANY WAY DETRIMENTAL TO OEM DYNAMICS INTEREST NOR REPRODUCED WHATSOEVER WITHOUT EXPRESS CONSENT

**OEMDynamics** California, USA  
www.OEMDynamics.com

SIZE	DWG NO	REV
<b>B</b>	H3-XXXX-XXXA-XXX-XXXXXXX	<b>0</b>
DO NOT SCALE DRAWING		SCALE 1:3 SHEET 1 OF 1

REV. 0 DRAWN BY GS 4/8/2009