

8

7

6

5

4

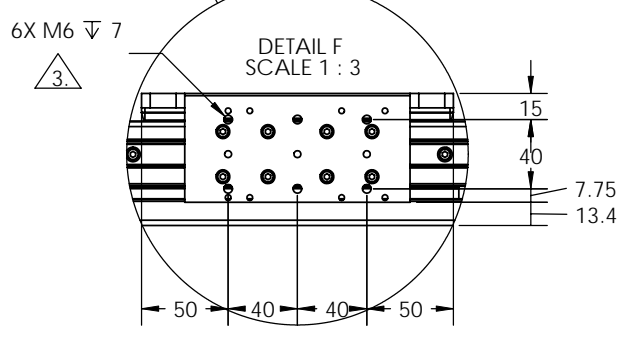
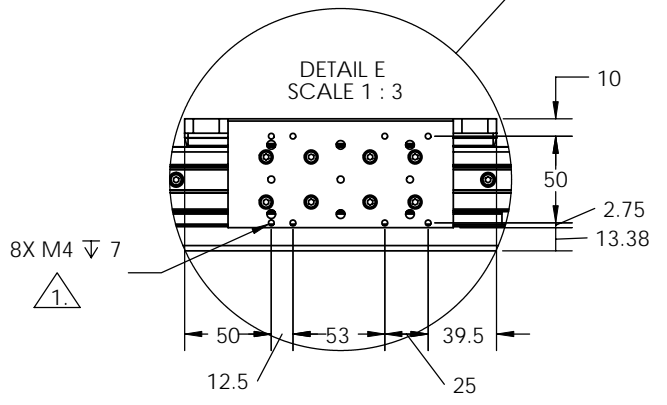
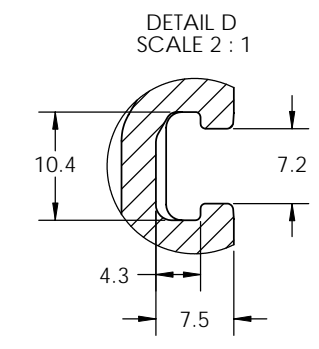
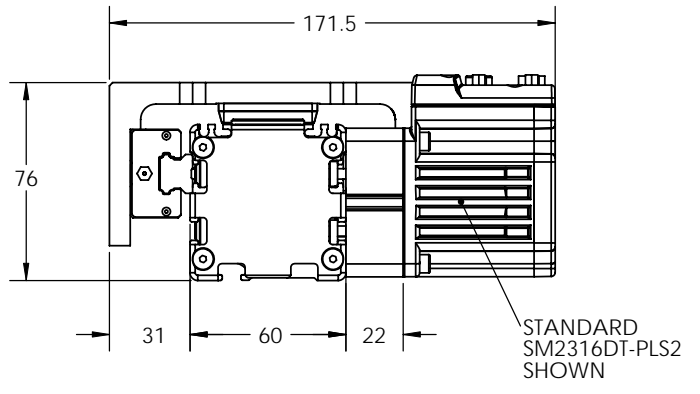
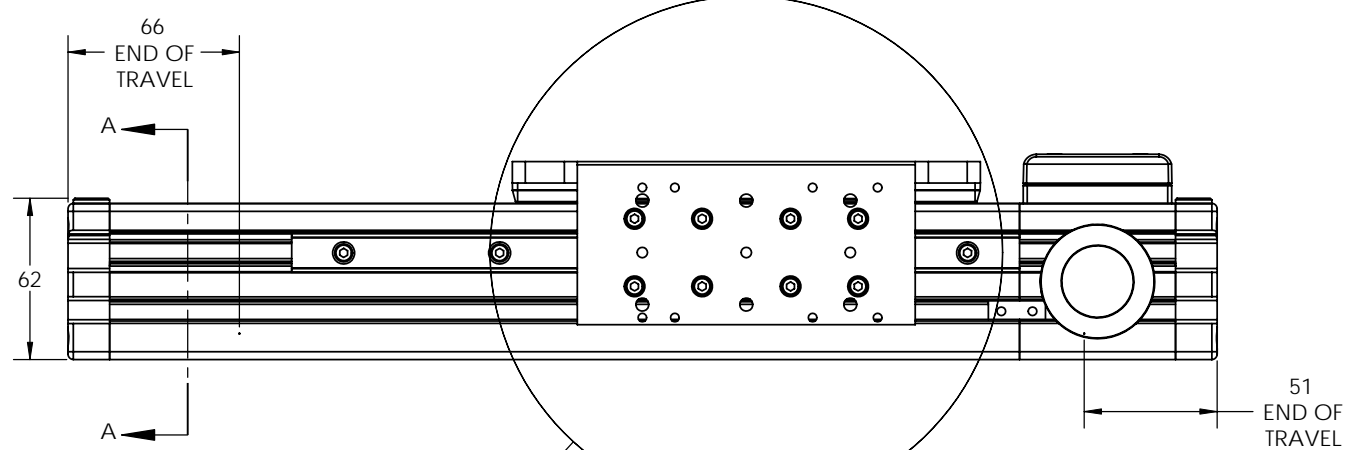
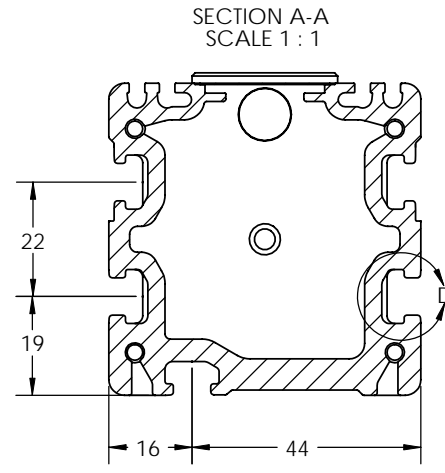
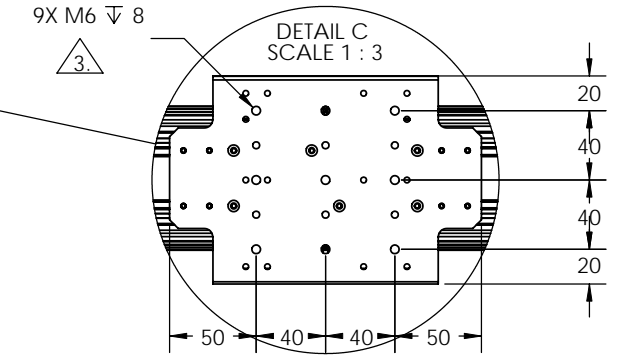
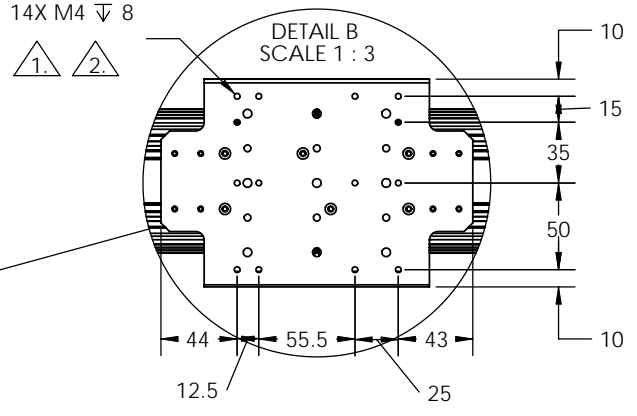
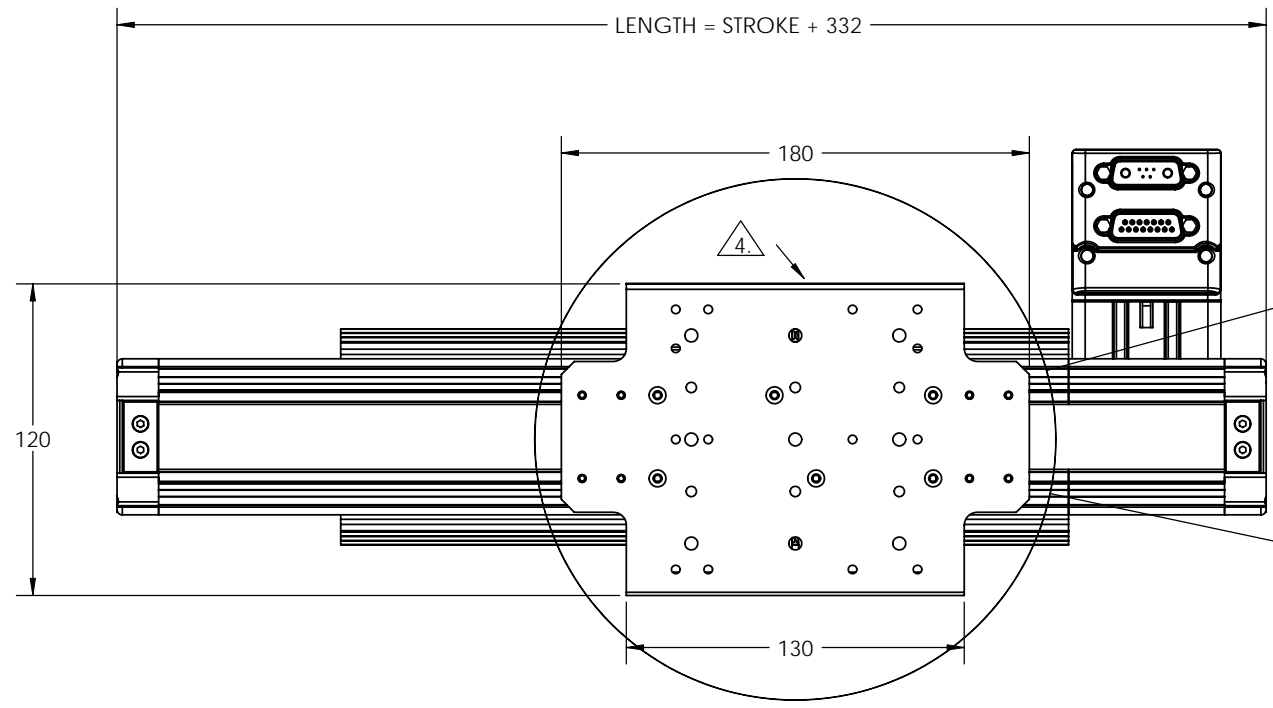
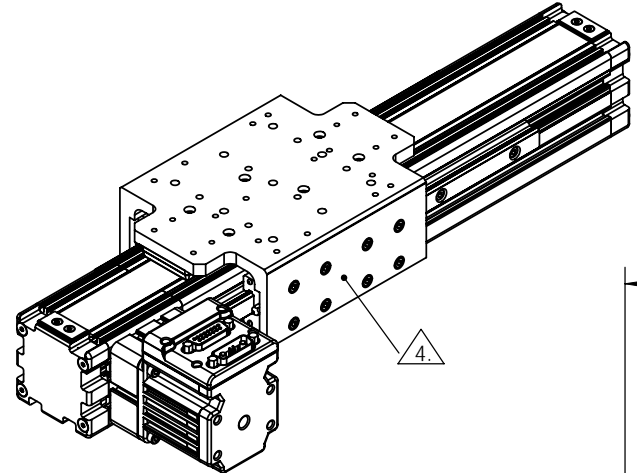
3

2

1

Additional Specifications for HLD60 with Dual Rail Bearing	
Parameter	Value
Motor	Animatics SM2316DT-PLS2, SM23165DT, SM2337DT-PLS2
Displacement/Rev.	2.5, 5, 10, or 12.5 mm/Rev available
Position sensors	Optional Home & EOT limits
Stroke	110 to 2800 mm
Over-travel (mm)	Contact factory for stroke above 2800mm
Unit mass (kg)	Approx 35
	3.4 + 0.0057 x overall length + motor mass

For additional performance, accuracy, and loading data please consult the online or printed catalog.



- NOTES:
- 1. M4 x 12.5 x 50 and M4 x 25 x 50 mounting holes for L70 actuator.
  - 2. M4 x 85 x 93 mounting holes for XL100 actuator.
  - 3. M6 x 40 x 40 standard bolt pattern for optional mounting accessories.
  - 4. Simple end (motor-side) has no mounting holes.

THIS DOCUMENT AND ENTIRE INFORMATION HERON ARE PROPRIETARY TO OEM DYNAMICS / ANIMATICS CORP. AND SHALL NOT BE USED IN ANY WAY DETRIMENTAL TO OEM DYNAMICS INTEREST NOR REPRODUCED WHATSOEVER WITHOUT EXPRESS CONSENT

**OEMDynamics** California, USA  
www.OEMDynamics.com

TITLE: **HLD60 with Dual External Rail Bearings**

SIZE	DWG NO	REV
C	H3-XXXX-XXE-XXX-XXXXXXX	0

DO NOT SCALE DRAWING SCALE 1:2 SHEET 1 OF 1

REV. 0 DRAWN BY GS 4/8/2009

8

7

6

5

4

3

2

1