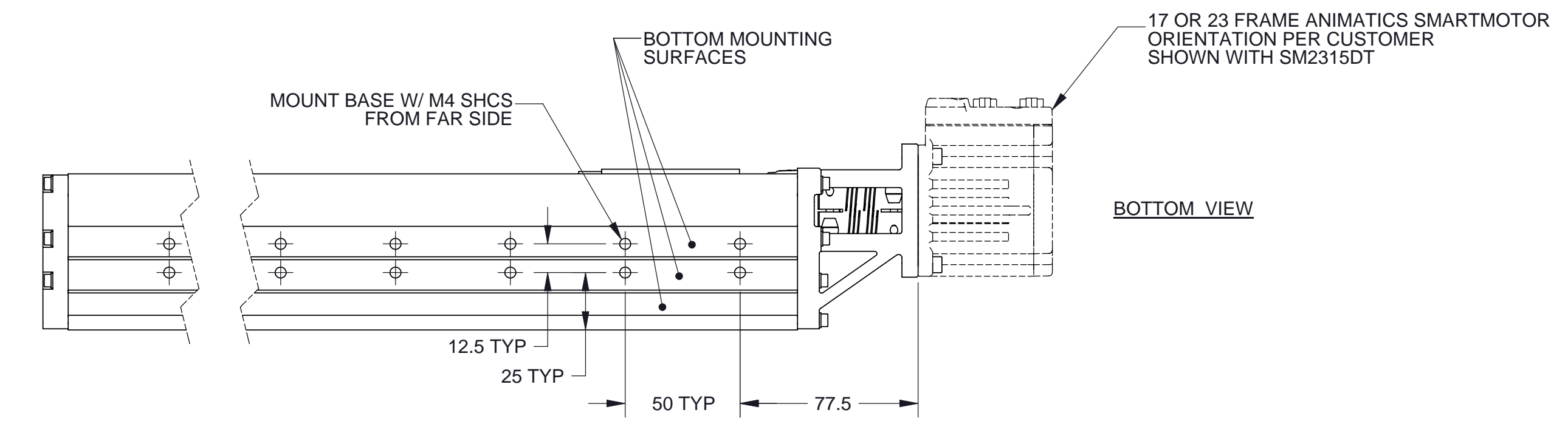
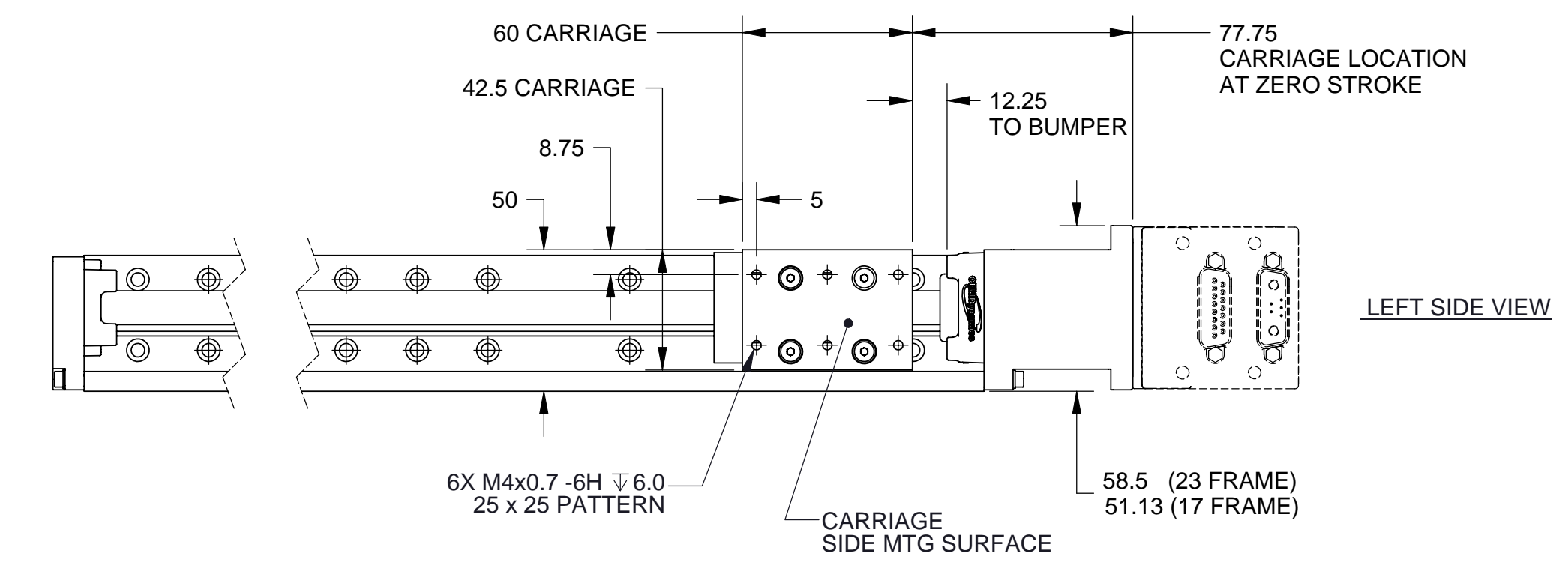
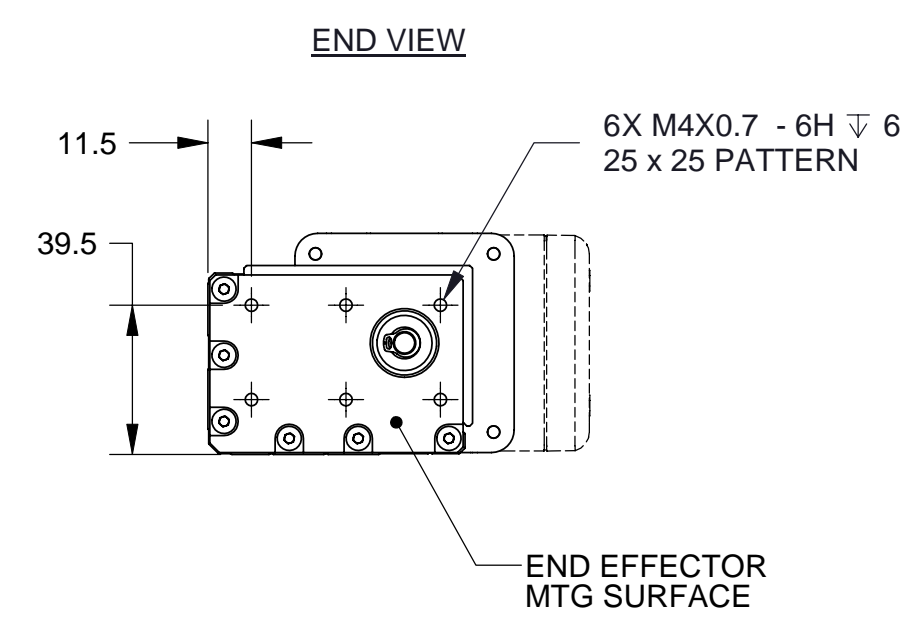
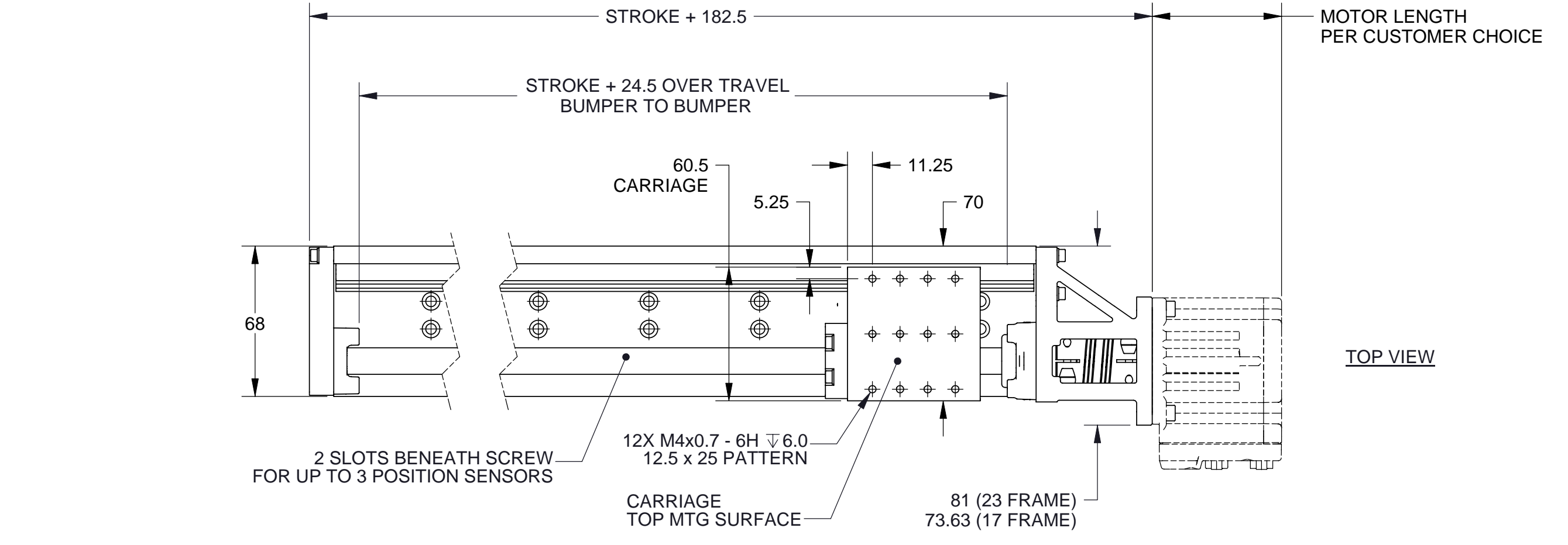
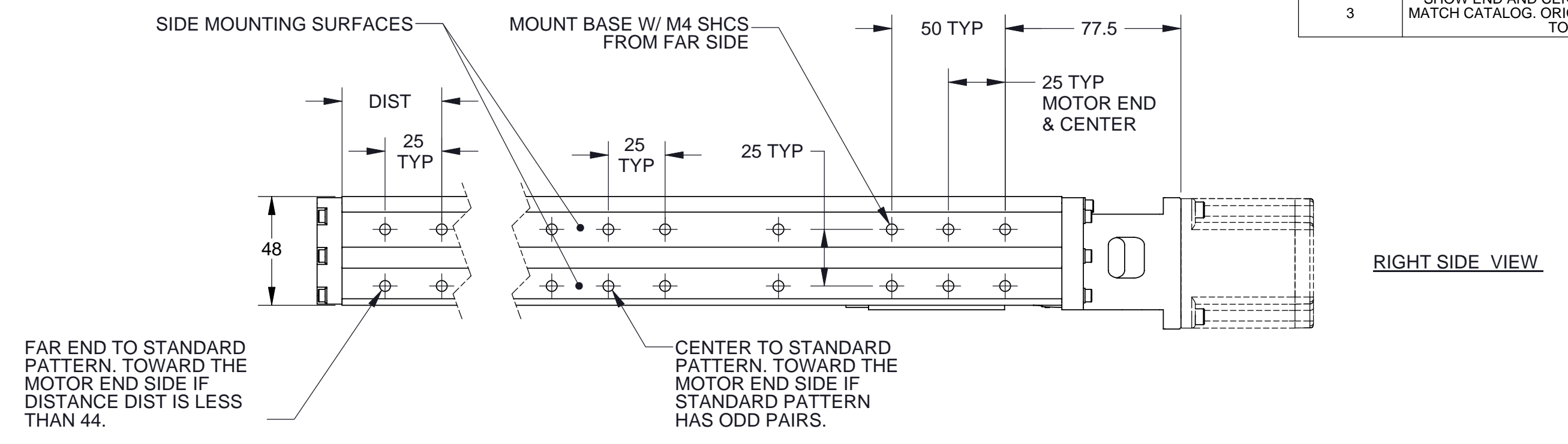
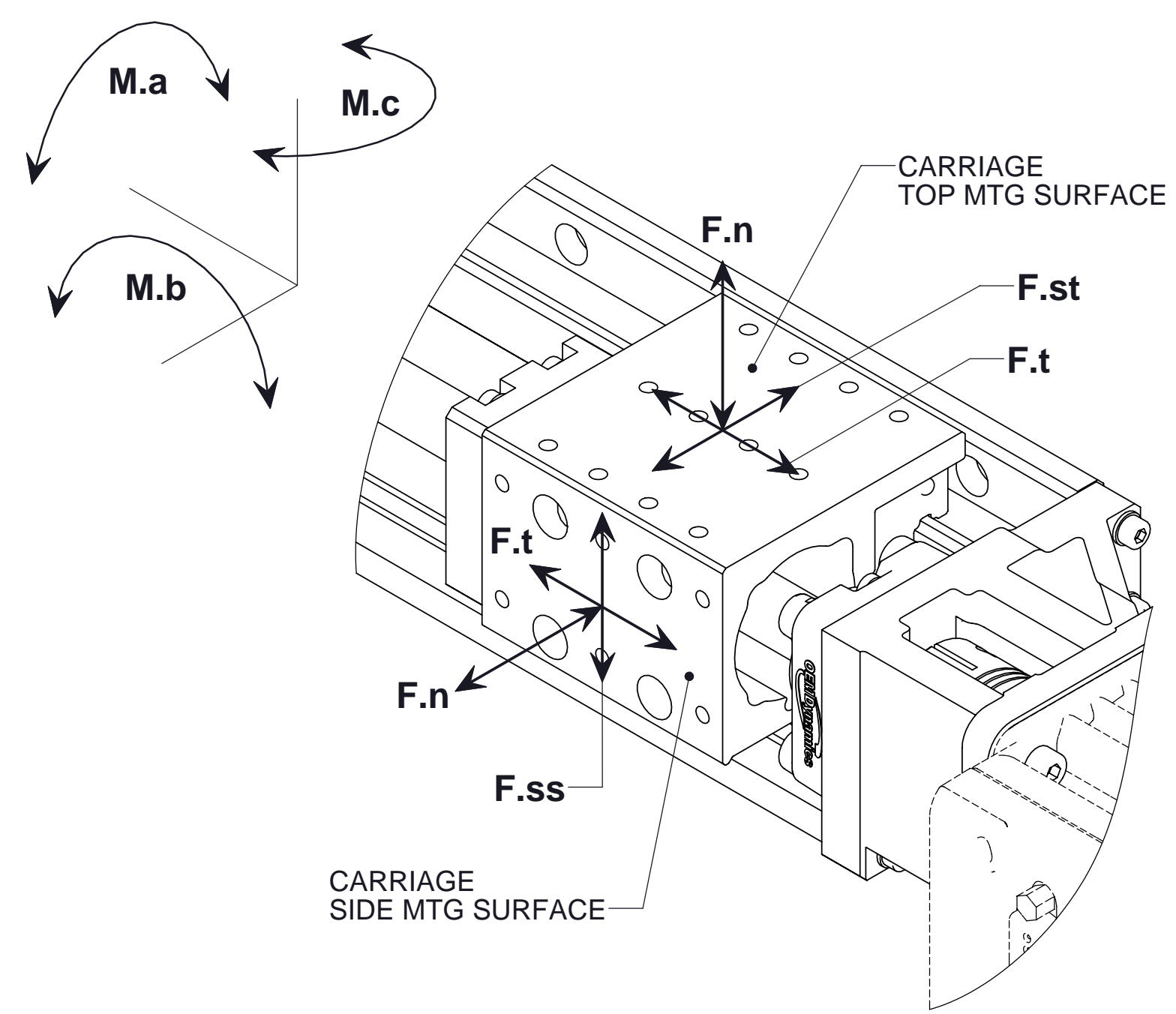


| REV. | DESCRIPTION | ZONE | ECO | DATE | APPROVED |
|------|--|------|-----|-----------|-----------|
| 1 | INITIAL RELEASE | / | / | 2/4/2007 | P. BORLOZ |
| 2 | REDEFINED FOR PRODUCTION RELEASE | / | / | 9/5/07 | K. KALLAY |
| 3 | SHOW END AND CENTER MOUNTING PATTERN TO MATCH CATALOG. ORIGINAL REV 3 DWG MISSING DUE TO DATA LOSS | / | / | 10/6/2010 | GS |

| L70 Product Specifications | | |
|--|---|--------|
| Parameter | Value | Units |
| Configuration & Physical Parameters | | |
| Motor | Animatics SmartMotors Size 17 & 23 | - |
| Coupling | Beam | - |
| Ballscrew Leads | 5, 10 | mm/rev |
| Position Sensors | Adjustable (3 max) NPN N/O or N/C | - |
| Stroke Lengths | Standard in 50mm increments to 600 Custom in 1mm increments to 600 | mm |
| Overall Length | Stroke + 182.5 + Motor | mm |
| Over-Travel | 24.5 | mm |
| Unit Mass | 1.29 + 0.00414 X (travel, mm) + (motor mass) | kg |
| Performance | | |
| Unidirectional Repeatability | 3 | µm |
| Bi-directional Repeatability | 16 | µm |
| Ballscrew Lead Accuracy | 0.052/300 | mm/mm |
| Dynamic Load Capacities* | | |
| Payload Mass | 20 | kg |
| F.t, Thrust | 200 | N |
| F.n, Carriage Normal | 200 | N |
| F.st, Carriage Side | 200 | N |
| F.ss, Carriage Side | 100 | N |
| M.a, Carriage Moment** | 5 | Nm |
| M.b, Carriage Moment** | 5 | Nm |
| M.c, Carriage Moment** | 5 | Nm |
| Static Load Capacities | | |
| F.t0, Thrust | 1140 | N |
| F.n0, Carriage Normal | 400 | N |
| F.st0, Carriage Side | 400 | N |
| F.ss0, Carriage Side | 400 | N |
| M.a0, Carriage Moment** | 20 | Nm |
| M.b0, Carriage Moment** | 20 | Nm |
| M.c0, Carriage Moment** | 20 | Nm |

* Based on a basic desired service life of 15,000hr (7.5yrs single shift).
Consult the factory if your application exceeds these values.
** Moment capacities given about center of carriage mounting surfaces.



THIS DOCUMENT AND ENTIRE INFORMATION HEREON ARE PROPRIETARY TO OEM DYNAMICS AND SHALL NOT BE USED IN ANY WAY DETRIMENTAL TO OEM DYNAMICS INTEREST NOR REPRODUCED WHATSOEVER WITHOUT EXPRESS CONSENT

| | | | |
|----------|--------|-----------------|----------------|
| MATERIAL | FINISH | DRAWN P. BORLOZ | DATE 1/30/2007 |
| / | / | ENGR P. BORLOZ | DATE 2/4/2007 |

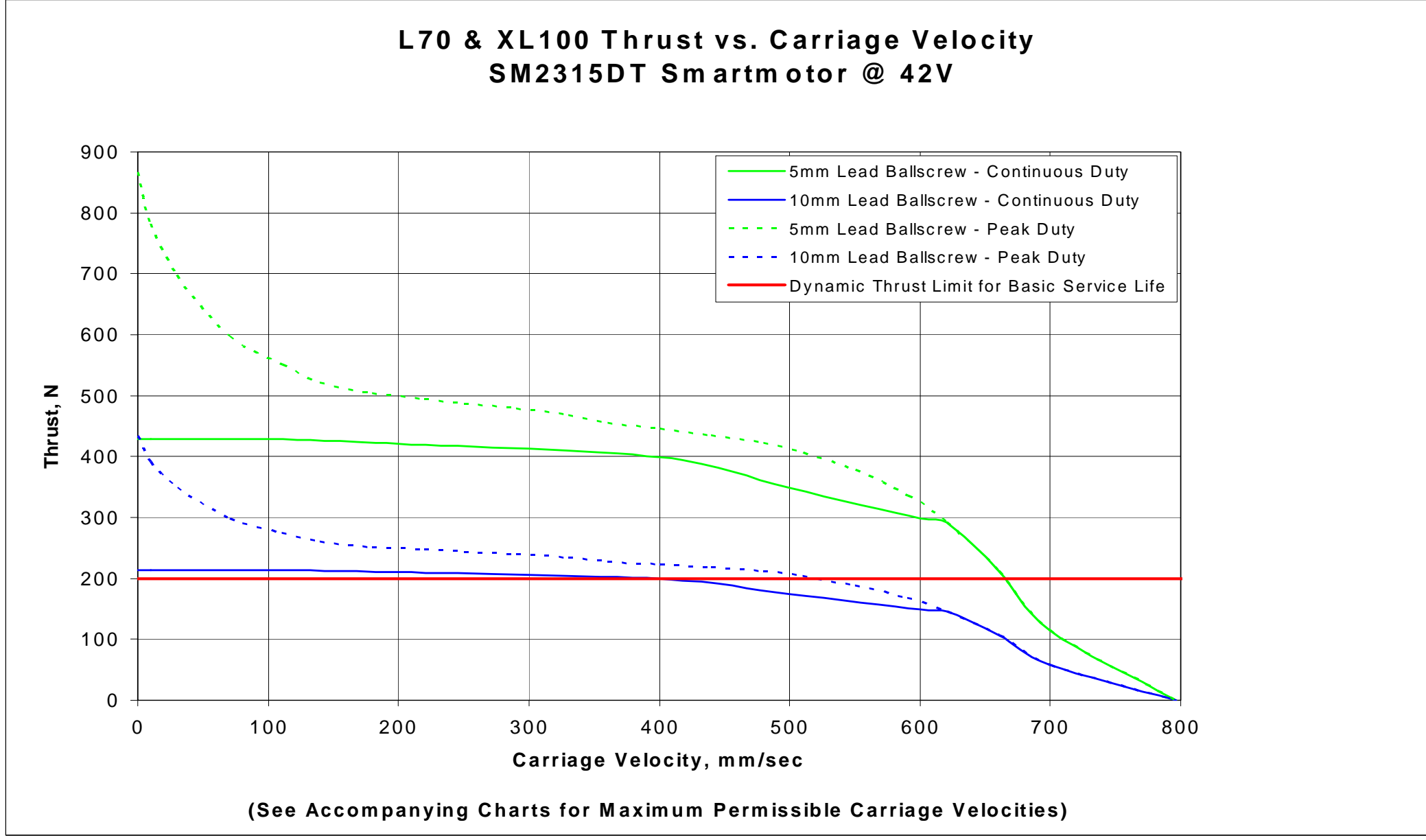
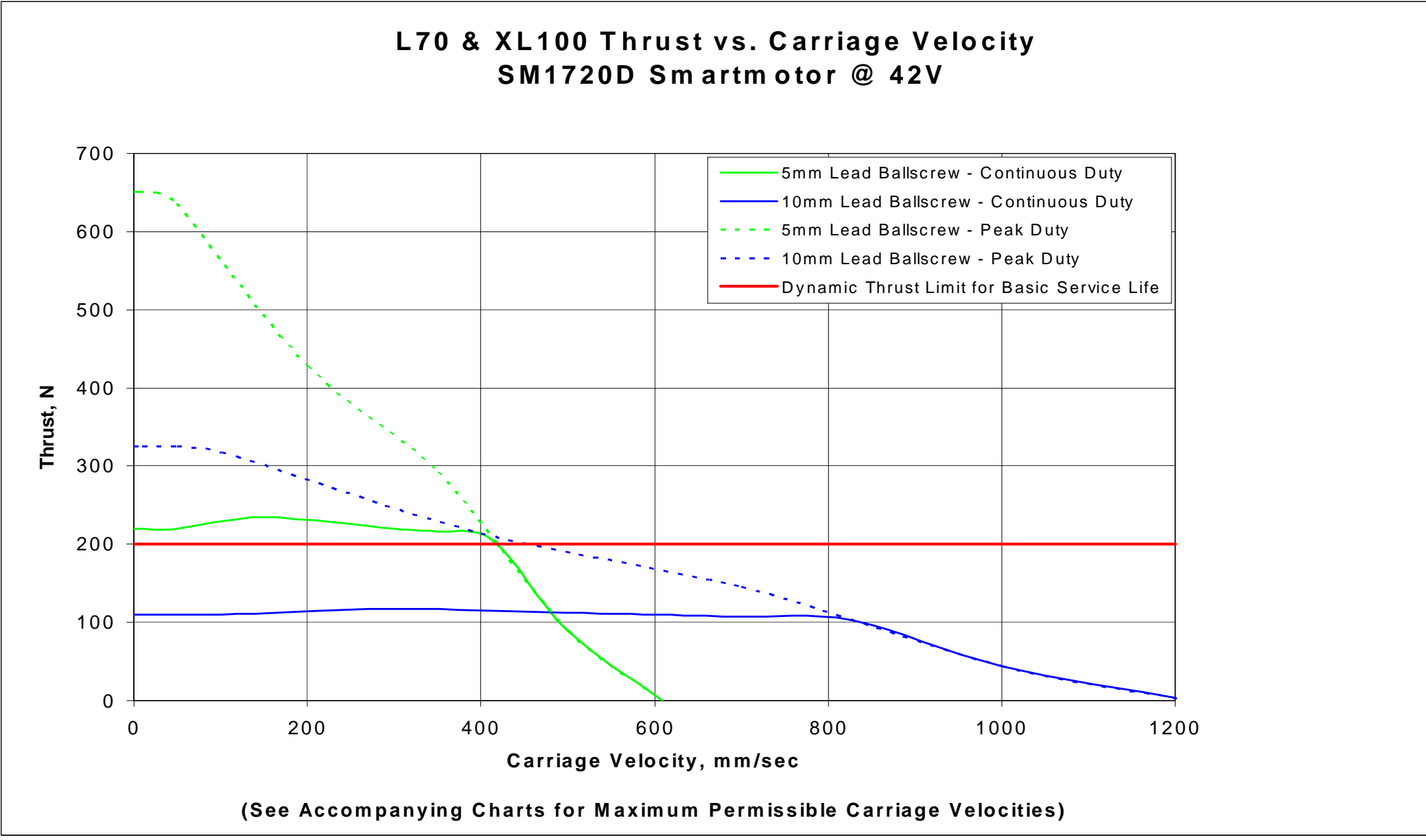
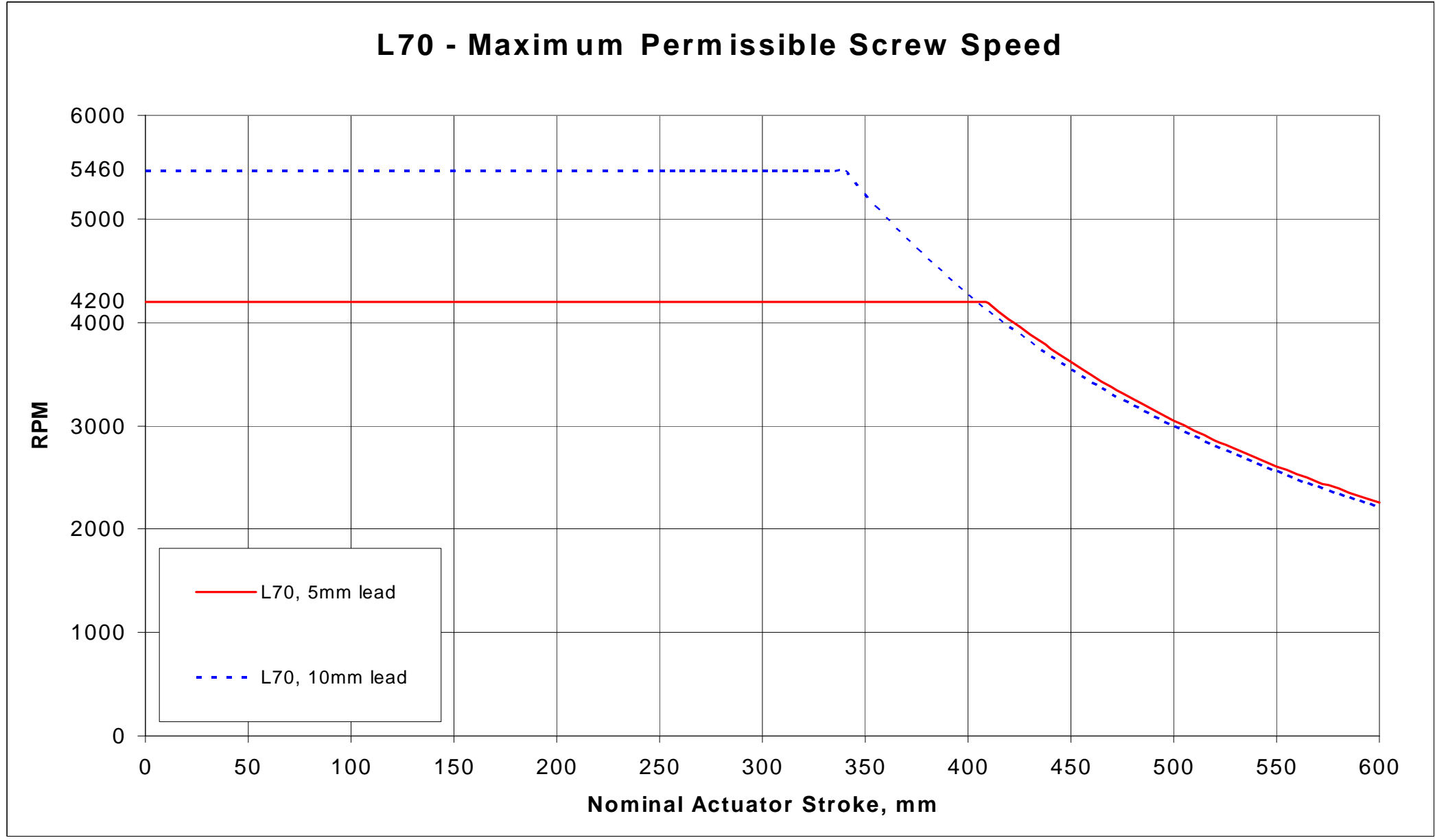
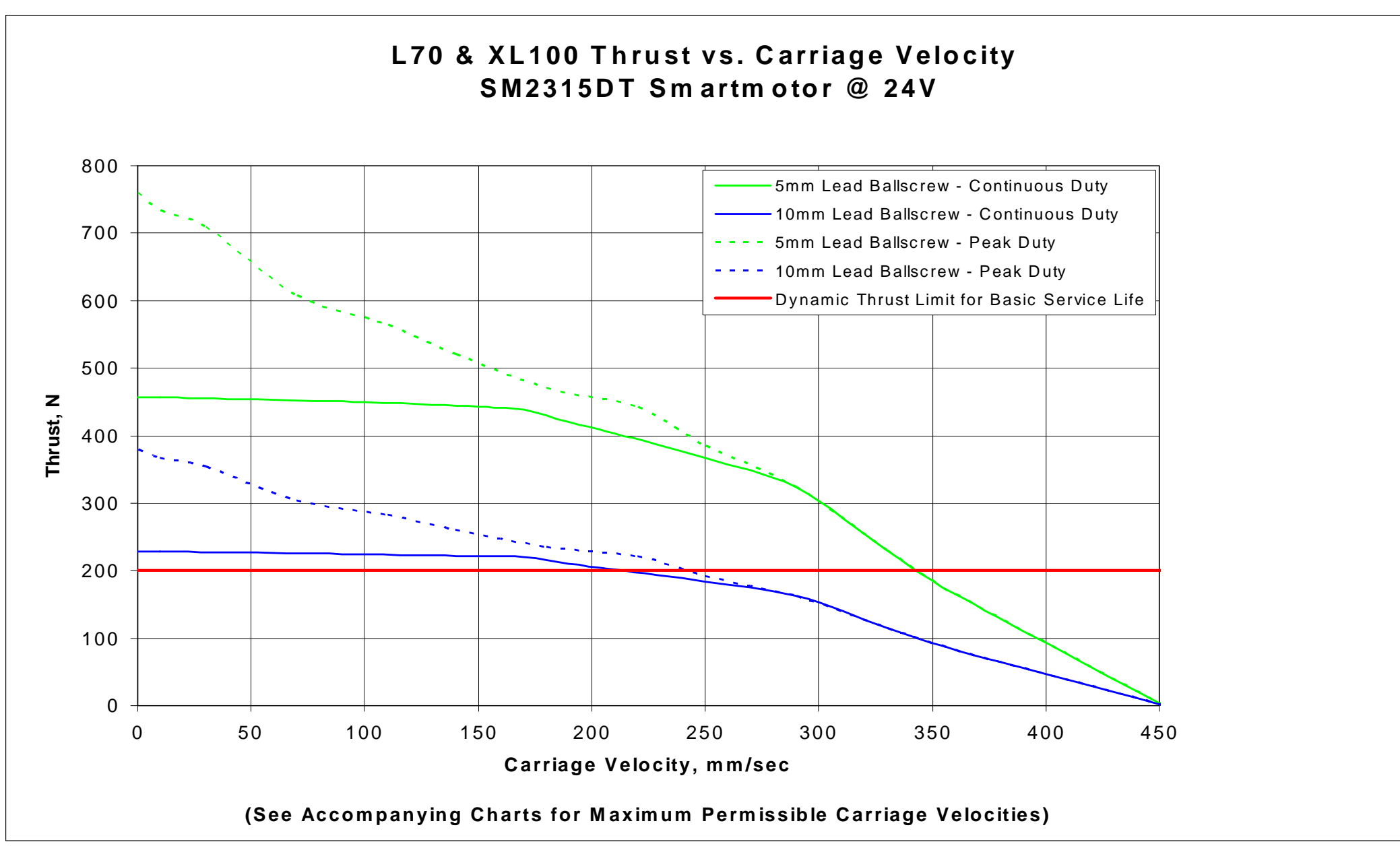
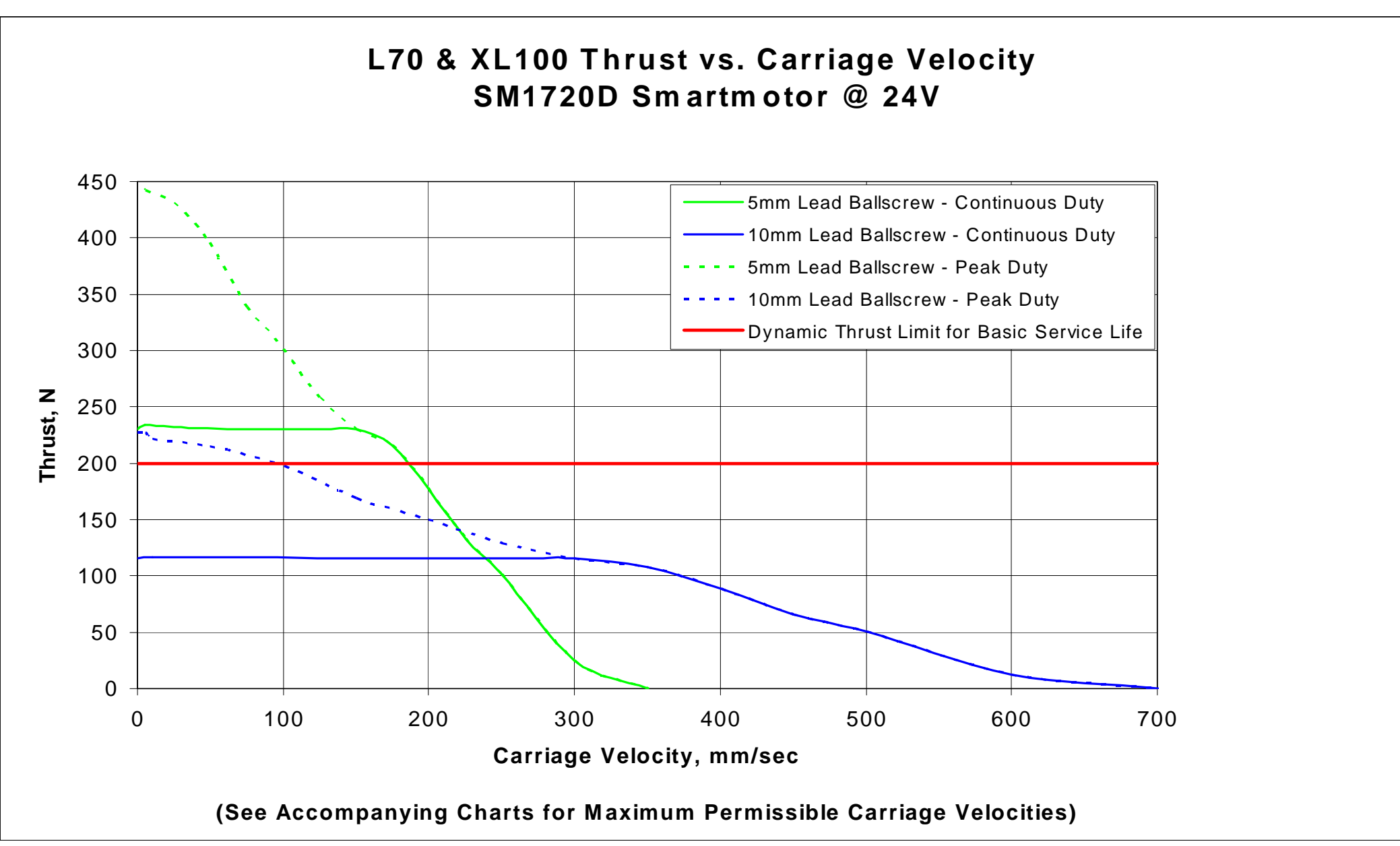
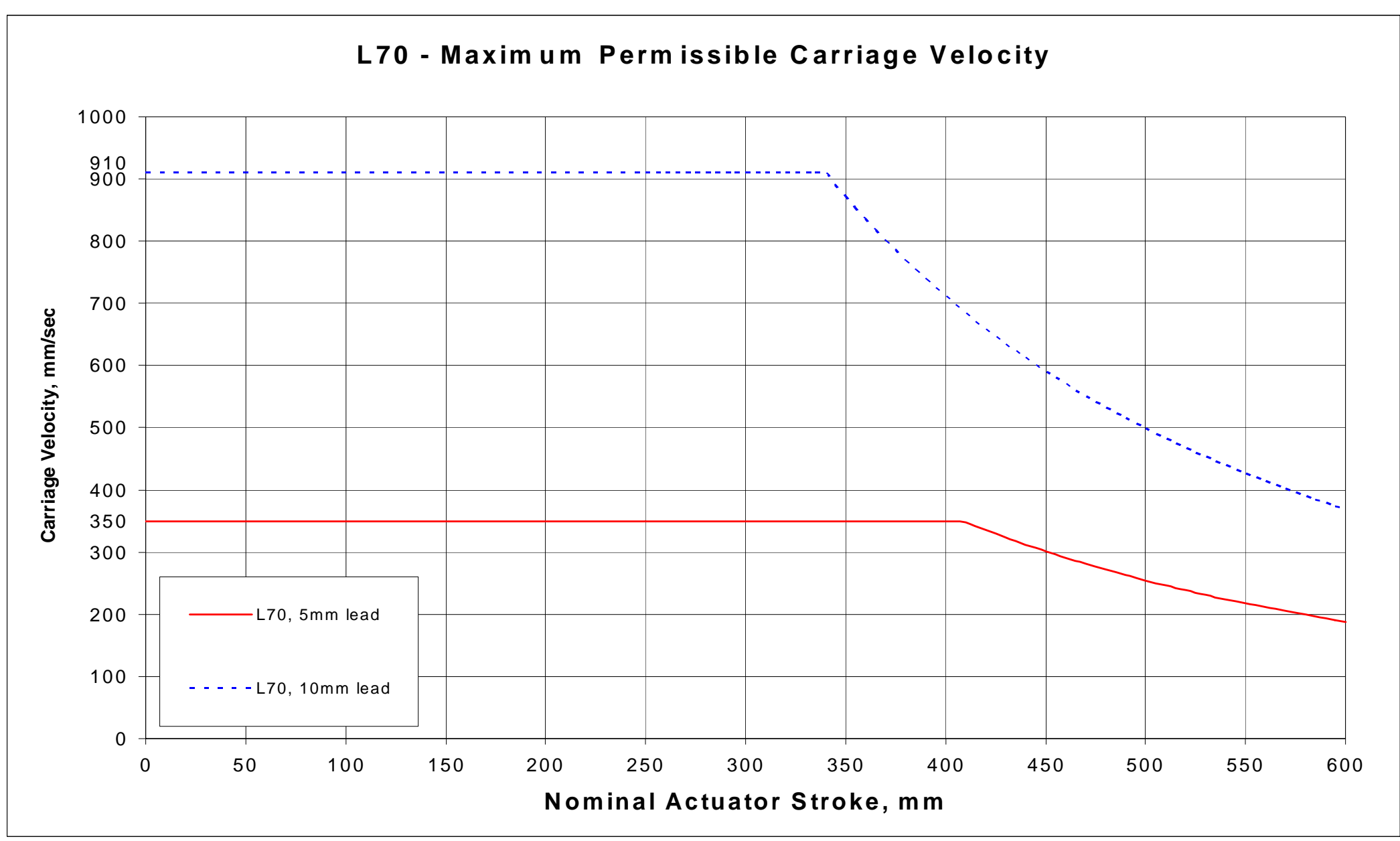
METRIC UNLESS OTHERWISE SPECIFIED: INTERPRET DIMENSIONS AND TOLERANCES PER ASME Y14.5M - 1994.

THIRD ANGLE PROJECTION

California, USA
www.OEMDynamics.com

TITLE SPECIFICATION DRAWING, L70

| | | |
|----------------------|------------------|--------------|
| SIZE D | DWG NO 990002-01 | REV 3 |
| DO NOT SCALE DRAWING | SCALE 1:2 | SHEET 1 OF 2 |



| | | | |
|---|--|---|---|
| THIS DOCUMENT AND ENTIRE INFORMATION HEREON ARE PROPRIETARY TO OEM DYNAMICS AND SHALL NOT BE USED IN ANY WAY DETRIMENTAL TO OEM DYNAMICS INTEREST NOR REPRODUCED WHATSOEVER WITHOUT EXPRESS CONSENT | | | |
| MATERIAL / | FINISH / | DRAWN P. BORLOZ | DATE 1/30/2007 |
| | | ENGR P. BORLOZ | DATE 2/4/2007 |
| METRIC | UNLESS OTHERWISE SPECIFIED: DIMENSIONS ARE MILLIMETERS AND TOLERANCES ARE: | INTERPRET DIMENSIONS AND TOLERANCES PER ASME Y14.5M - 1994. | |
| THIRD ANGLE PROJECTION | DECIMALS: .XX ± 0.10 .X ± 0.2 | ANGLES: .XX ± 0.25° .X ± 0.5° | ALL DIMENSIONS, TOLERANCES AND ROUGHNESS APPLY AFTER FINISHING, WHEN APPLICABLE. NO BURRS ALLOWED. BREAK SHARP EDGES 3 MAX. SURFACE ROUGHNESS Ra 0.8 MICROMETERS. |
| | | OEM Dynamics California, USA www.OEMDynamics.com | |
| | | TITLE SPECIFICATION DRAWING, L70 | |
| SIZE D | DWG NO 990002-01 | | |
| DO NOT SCALE DRAWING | | SCALE 1:2 | SHEET 2 OF 2 |