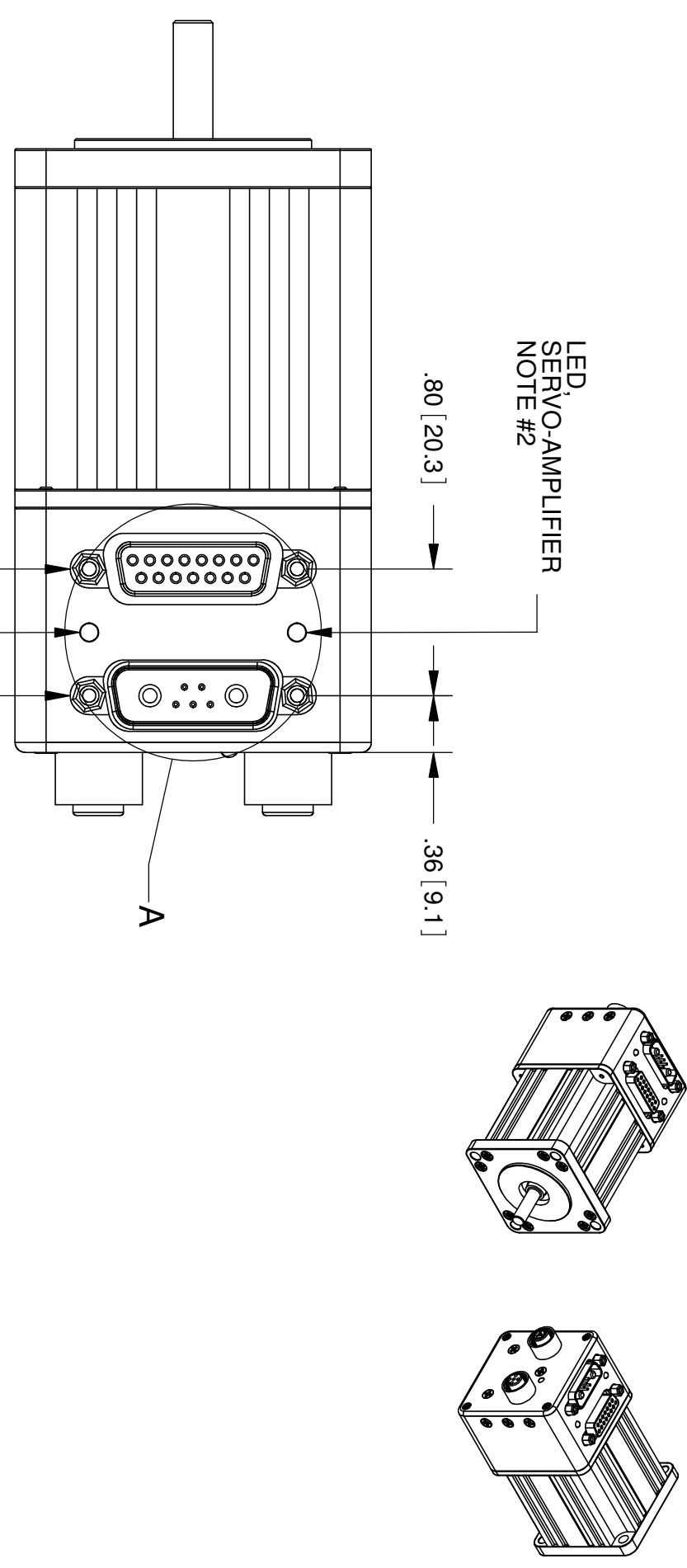
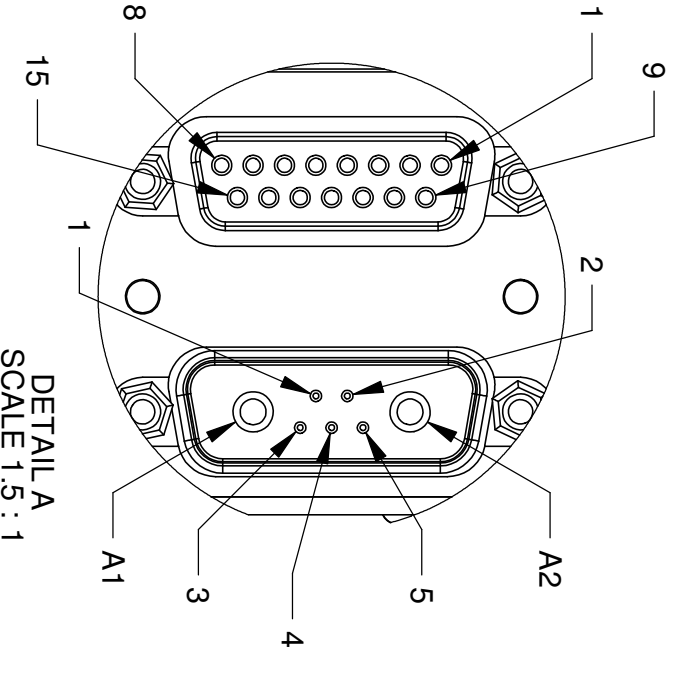
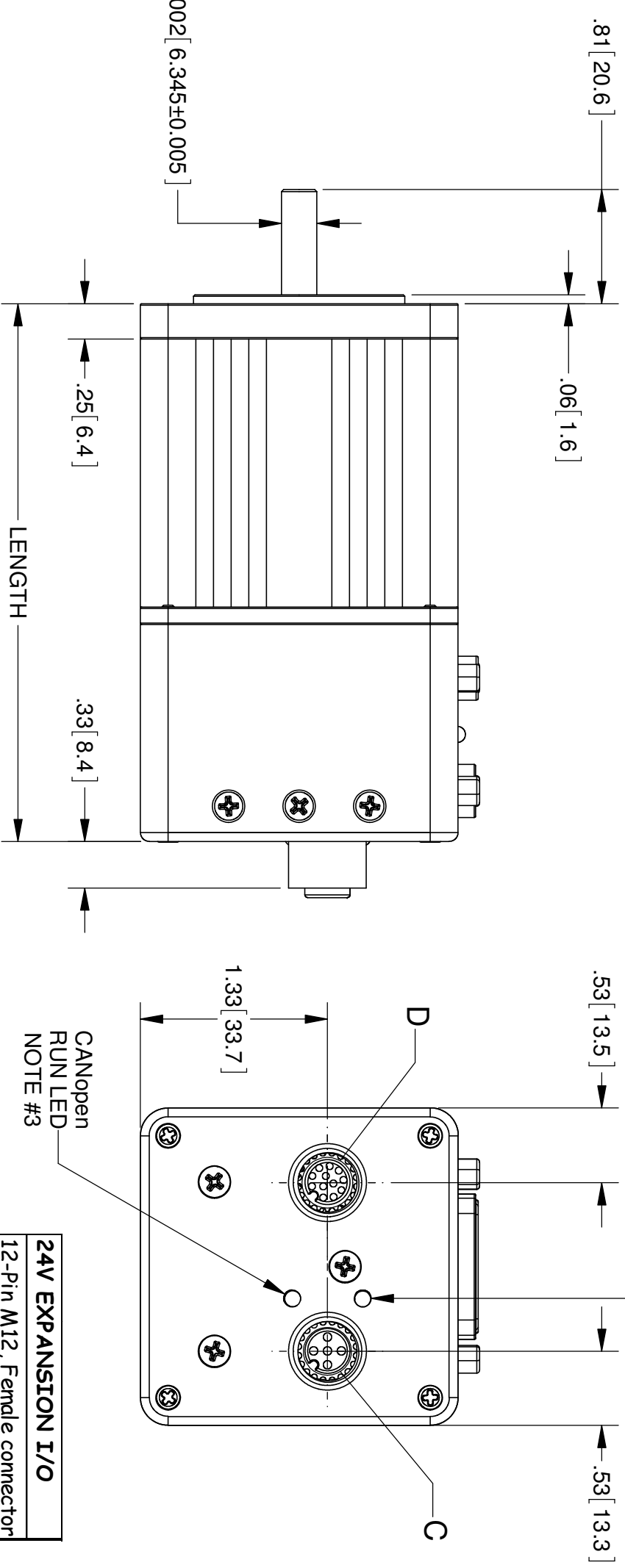
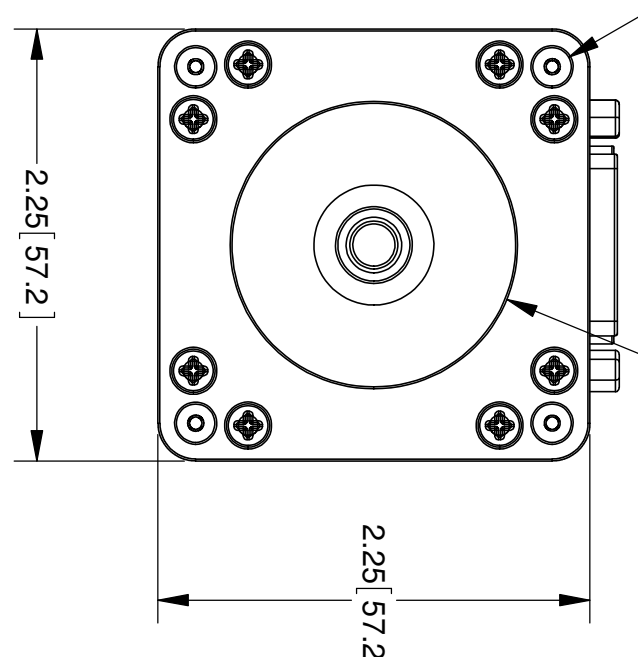


REV.	DESCRIPTION	ZONE	ECO	DATE	APPROVED
A	PRELIMINARY RELEASE			01/20/2011	M. TRAN

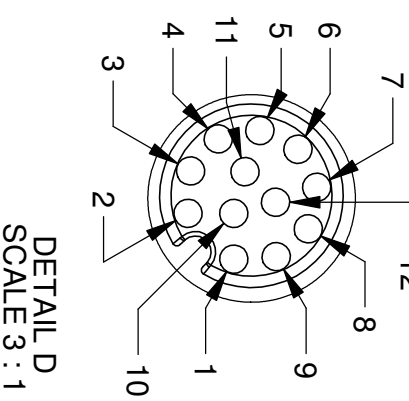
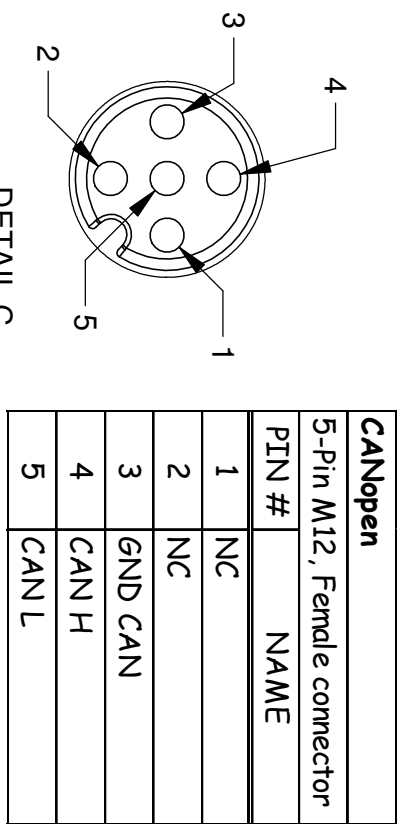
- NOTES:
- DRAWING APPLIES TO THE FOLLOWING SMARTMOTOR WITH PART NUMBERS:
SM23105D-C-AD1 SM23205D-C-AD1 SM23305D-C-AD1 SM23405D-C-AD1
SM23105D-DE-C-AD1 SM23205D-DE-C-AD1 SM23305D-DE-C-AD1 SM23405D-DE-C-AD1
 - LED, SERVO-AMPLIFIER:
• CLEAR = CONTROLLER POWER NOT AVAILABLE
• RED = FAULT
• FLASH GREEN = DRIVE (AMPLIFIER) IS OFF
• GREEN = DRIVE (AMPLIFIER) IS ON
LED, TRAJECTORY
• CLEAR = NOT IN CONTROLLED TRAJECTORY (DEFAULT STATE)
• GREEN = IN CONTROLLED TRAJECTORY (CLOSE LOOP MOTION)
• CANopen ERROR LED (RED)
• CLEAR = NO ERROR
• SINGLE FLASH = WARNING, COMMUNICATION ERROR COUNT LIMIT REACHED
• DOUBLE FLASH = GUARD OR HEART BEAT ERROR
• SINGLE FLASH (GREEN)
• BLINKING = PREOPERATIONAL STATE
• SOLID = OPERATIONAL STATE
 - CANopen RUN LED (GREEN)
• SINGLE FLASH = DEVICE IS IN STOPPED STATE
• BLINKING = PREOPERATIONAL STATE
• SOLID = OPERATIONAL STATE
 - FOR -DE OPTION, DRIVE POWER AND CONTROLLER POWER ARE ON SEPARATE PINS. MUST PROVIDE POWER TO CONTROLLER AND DRIVE POWER TO OPERATE. SEE TABLE CN2 BELOW FOR PIN ASSIGNMENT.
 - DIMENSIONS IN [] ARE mm.



4X ϕ .200 [5.08] THRU
ON ϕ 2.625[66.68]
B.C. EQUALLY SPACED



PART NUMBER	LENGTH	
	in	mm
SM23105D	3.17	80.4
SM23205D	3.75	95.3
SM23305D	4.40	111.8
SM23405D	5.05	128.3



24V EXPANSION I/O	
PIN #	NAME
1	24V I/O #1
2	24V I/O #2
3	24V I/O #3
4	24V I/O #4
5	24V I/O #5
6	24V I/O #6
7	24V I/O #7
8	24V I/O #8
9	24V I/O #9
10	24V I/O #10
11	24V PWR IN
12	GND (I/O)

CN2 : 15PIN D-SUB FEMALE CONNECTOR			
PIN #	NAME	Default Function	Secondary Function
1	I/O A	External Encoder A Input	Step Input
2	I/O B	External Encoder B Input	Direction Input
3	I/O C	Positive Limit Input	
4	I/O D	Negative Limit Input	
5	I/O E		RS485 A (+)
6	I/O F		RS485 B (-)
7	I/O G	G-Synchronization	RS485-150 Adapter Data
8	ENC A OUT	Encoder A Output	
9	ENC B OUT	Encoder B Output	
10	RS232 Tx	RS232 Transmitt	
11	RS232 Rx	RS232 Receive	
12	+5Vdc OUT	+5Vdc Supply Out	
13	GND	Signal GND	
14	POWER GND	POWER GND	
15	POWER	POWER	

CN1 : 7PIN COMBO D-Sub Male Connector			
PIN #	NAME	FUNCTIONS	Ties to CN2, PIN #
1	I/O G	G-Synchronization	7
2	+5Vdc OUT	+5Vdc Output	12
3	RS232 Tx	RS232 Transmitt	10
4	RS232 Rx	RS232 Received	11
5	GND	Signal GND	13
A1	DRIVE PWR	Drive Power (20 - 48Vdc)	15
A2	POWER GND	POWER GND	14

CONFIDENTIAL. THE INFORMATION CONTAINED HEREIN IS THE PROPERTY OF ANIMATICS CORPORATION AND IS PROTECTED AS A TRADE SECRET. IT IS SUBMITTED FOR USE BY RECIPIENT ONLY FOR A BUSINESS PURPOSE AND IS NOT TO BE REPRODUCED OR TRANSMITTED IN ANY FORM OR BY ANY MEANS, ELECTRONIC OR MECHANICAL, INCLUDING PHOTOCOPYING, RECORDING, OR BY ANY INFORMATION STORAGE AND RETRIEVAL SYSTEM. ANY OTHER USE IS PROHIBITED. RECIPIENT AGREES TO KEEP SUCH INFORMATION CONFIDENTIAL.

INCH UNLESS OTHERWISE SPECIFIED:
DIMENSIONS ARE INCHES AND TOLERANCES ARE:
DECIMALS: ANGLES:
XXX ± .005 XX ± 0.25°
XX ± .03 X ± 0.5°

ALL DIMENSIONS, TOLERANCES AND ROUGHNESS APPLY AFTER FINISHING, WHEN APPLICABLE.
NO BURRS ALLOWED. BREAK SHARP EDGES .01 MAX.

DRAWN: M. TRAN
DATE: 01/20/2011

Animatics Corporation

SM23x05D SERIES
W/CANOPEN AND EXT 24V I/O OPTIONS

SIZE: DWG NO: SM23x05D-C-AD1
DO NOT SCALE DRAWING SCALE: 1:1 SHEET: 1 OF 1