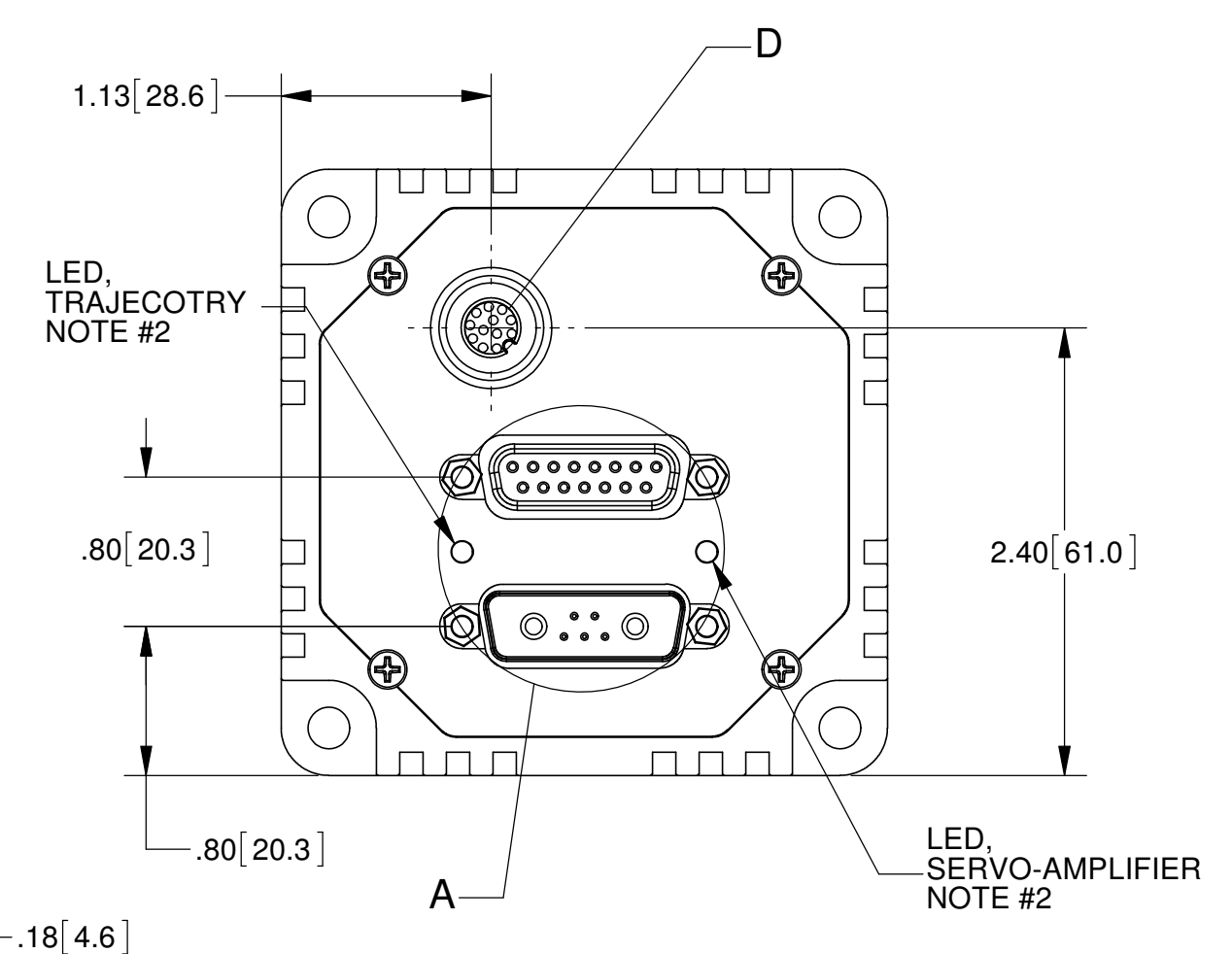
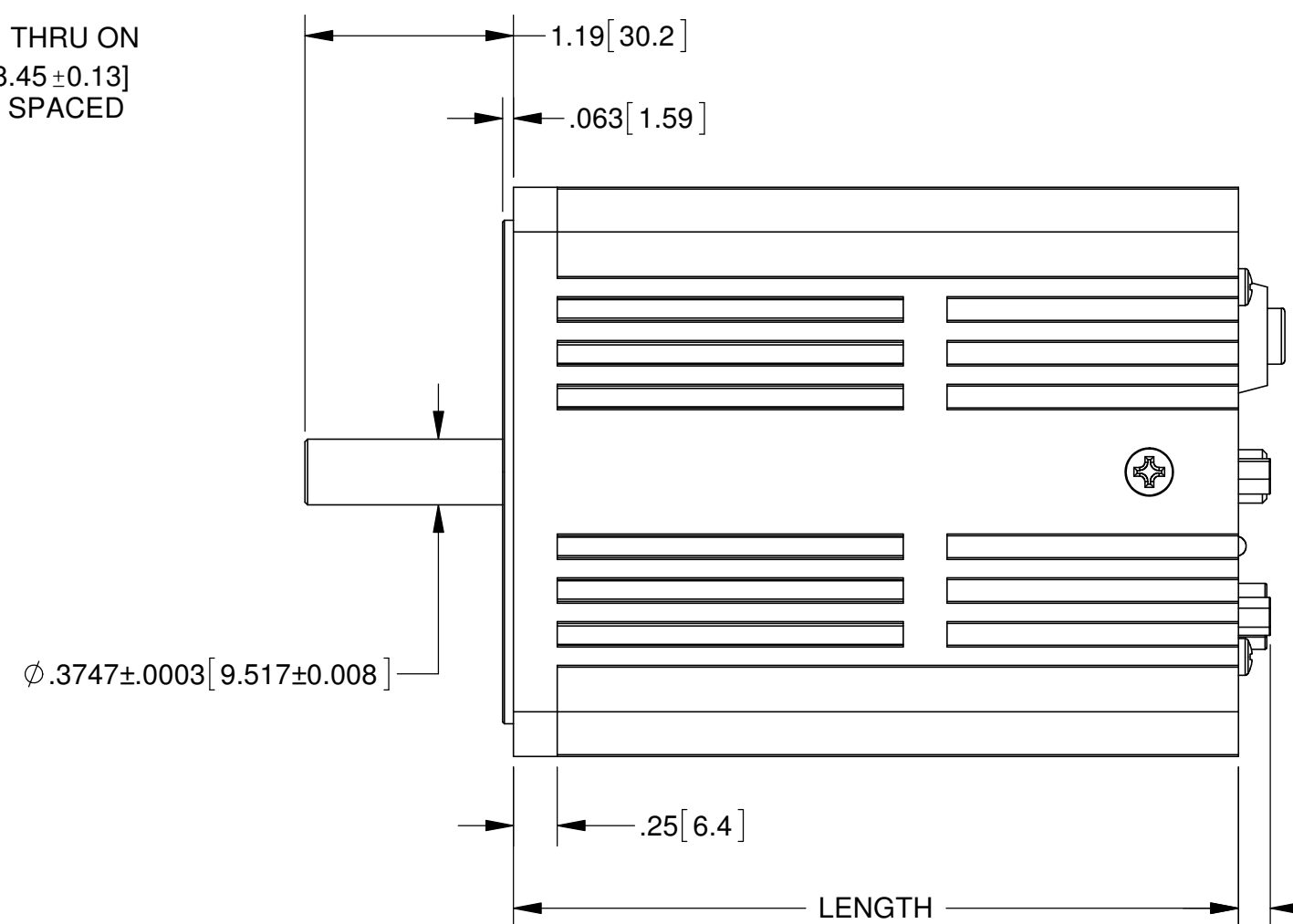
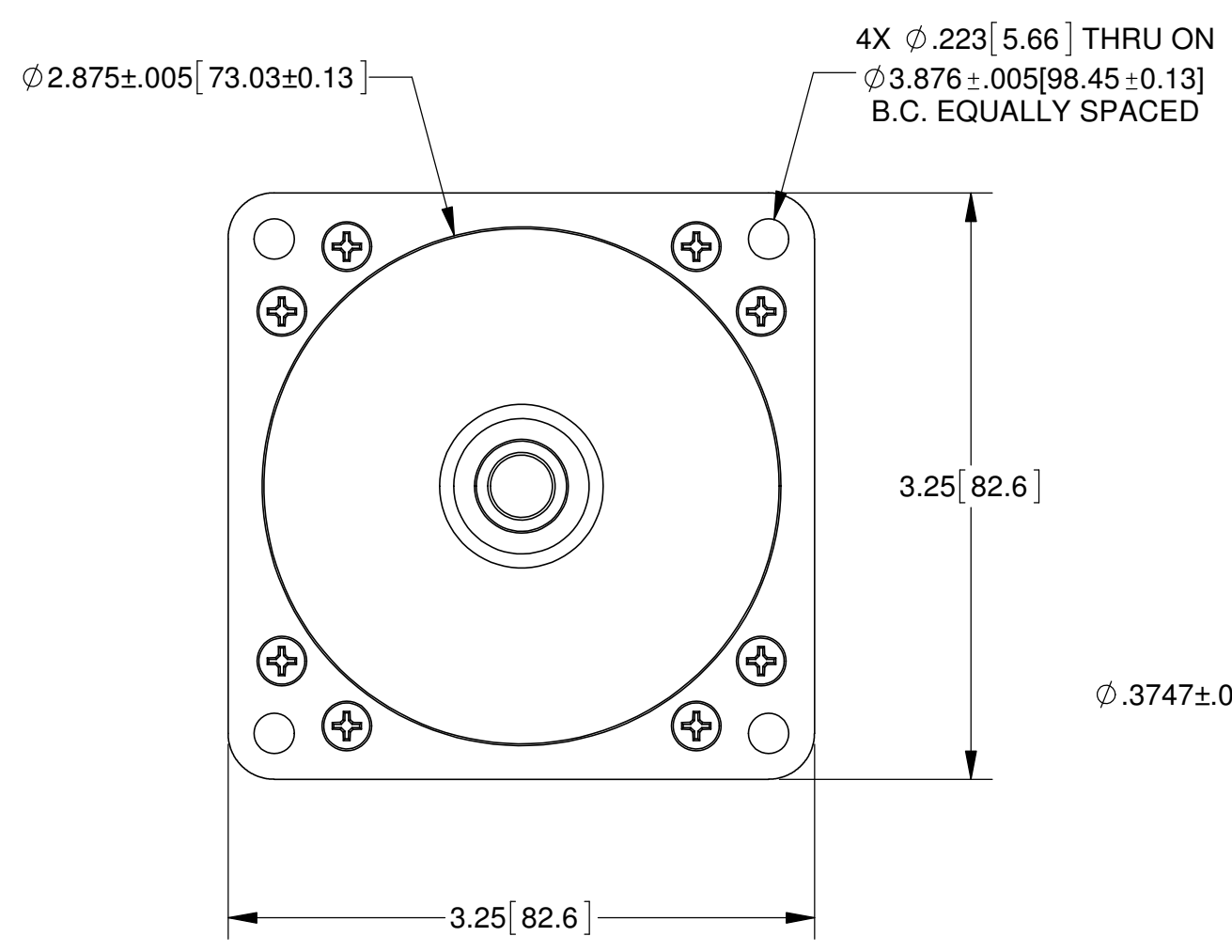
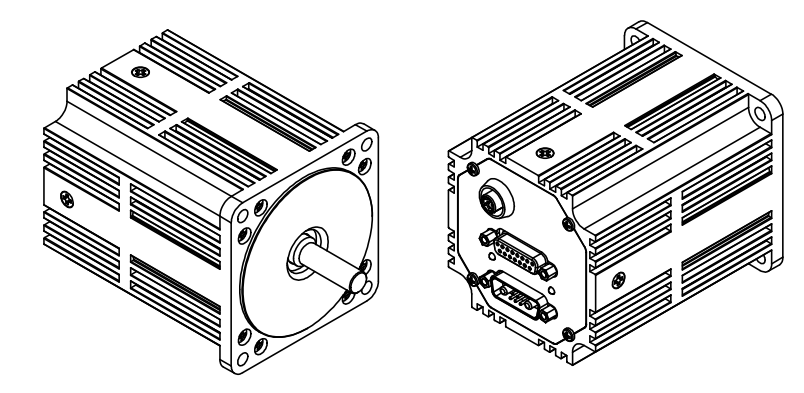


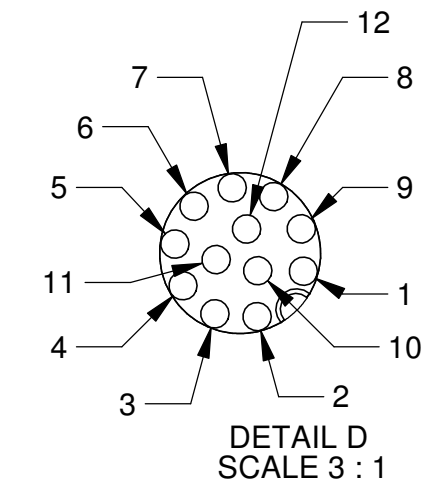
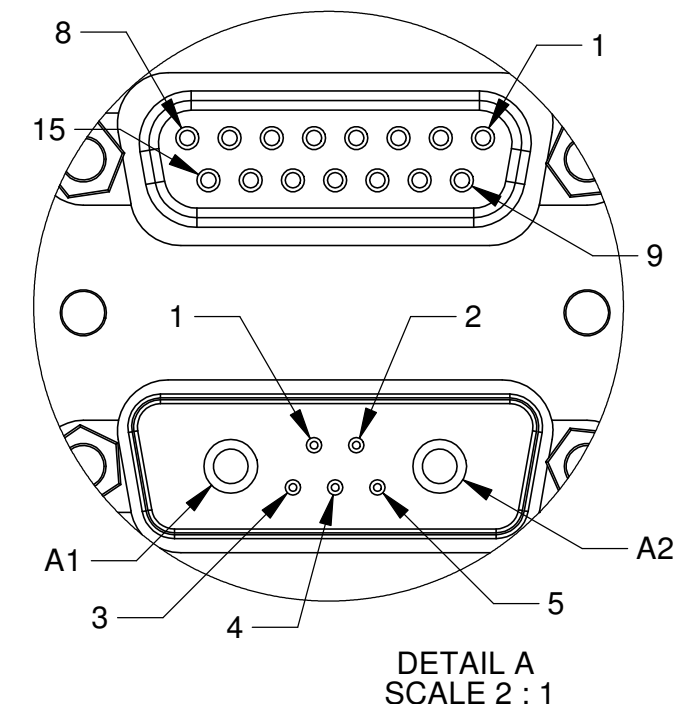
NOTES:

- DRAWING APPLIES TO THE FOLLOWING SMARTMOTOR WITH PART NUMBERS:  
 SM34105D-AD1 SM34205D-AD1 SM34305D-AD1 SM34405D-AD1 SM34505D-AD1  
 SM34105D-DE-AD1 SM34205D-DE-AD1 SM34305D-DE-AD1 SM34405D-DE-AD1 SM34505D-DE-AD1
- LED, SERVO-AMPLIFIER:  
 • CLEAR = CONTROLLER POWER NOT AVAILABLE  
 • RED = FAULT  
 • FLASH GREEN = DRIVE (AMPLIFIER) IS OFF  
 • GREEN = DRIVE (AMPLIFIER) IS ON
- LED, TRAJECTORY:  
 • CLEAR = NOT IN CONTROLLED TRAJECTORY (DEFAULT STATE)  
 • GREEN = IN CONTROLLED TRAJECTORY (CLOSE LOOP MOTION)
- FOR -DE OPTION, DRIVE POWER AND CONTROLLER POWER ARE ON SEPARATE PINS. MUST PROVIDE POWER TO CONTROLLER AND DRIVE POWER TO OPERATE. SEE TABLE CN2 BELOW FOR PIN ASSIGNMENT.
- DIMENSIONS IN [ ] ARE mm.
- RECOMMENDED BOLTING SCREW SIZE TO BE 10-32 OR M5, SOCKET CAP.

REV.	DESCRIPTION	ZONE	ECO	DATE	APPROVED
A	PRELIMINARY RELEASE			1/29/2011	M. TRAN



PART NUMBER	LENGTH	
	in	mm
SM34105D	3.49	88.6
SM34205D	4.14	105.1
SM34305D	4.79	121.6
SM34405D	5.44	138.1
SM34505D	6.09	154.6



24V EXPANSION I/O	
12-Pin M12, Female connector	
PIN #	NAME
1	24V I/O #1
2	24V I/O #2
3	24V I/O #3
4	24V I/O #4
5	24V I/O #5
6	24V I/O #6
7	24V I/O #7
8	24V I/O #8
9	24V I/O #9
10	24V I/O #10
11	24V PWR IN
12	GND (I/O)

CN2 : 15PIN D-SUB FEMALE CONNECTOR					
PIN #	NAME	FUNCTIONS			
		Default Function	Secondary Function	Digital I/O	Analog Input
1	I/O A	External Encoder A Input	Step Input	5V TTL	0 to 5V
2	I/O B	External Encoder B Input	Direction Input	5V TTL	0 to 5V
3	I/O C	Positive Limit Input		5V TTL	0 to 5V
4	I/O D	Negative Limit Input		5V TTL	0 to 5V
5	I/O E		RS485 A (+)	5V TTL	0 to 5V
6	I/O F		RS485 B (-)	5V TTL	0 to 5V
7	I/O G	G-Synchronization	RS485-ISO Adopter Data	5V TTL	0 to 5V
8	ENC A OUT	Encoder A Output			
9	ENC B OUT	Encoder B Output			
10	RS232 Tx	RS232 Transmit			
11	RS232 Rx	RS232 Receive			
12	+5Vdc OUT	+5Vdc Supply Out			
13	GND	Signal GND			
14	POWER GND	POWER GND	For -DE Option, Pin 15 is Contorl power (20V to 48V) and Pin 14 is PWR GND. ^PIN 15 is not connected to A1.		
15	POWER	POWER			

CN1 : 7PIN COMBO D-Sub Male Connector				
PIN #	NAME	FUNCTIONS	Ties to CN2, PIN #	
1	I/O G	G-Synchronization	7	
2	+5V dc OUT	+5Vdc Output	12	
3	RS232 Tx	RS232 Transmit	10	
4	RS232 Rx	RS232 Received	11	
5	GND	Signal GND	13	
A1	DRIVE PWR	Dirve Power (20 - 48Vdc)	15^	
A2	POWER GND	POWER GND	14	

**CONFIDENTIAL.** THE INFORMATION CONTAINED HEREIN IS THE PROPRIETY PROPERTY OF ANIMATICS CORPORATION. AND IS PROTECTED AS A TRADE SECRET. IT IS SUBMITTED FOR USE BY RECIPIENT ONLY FOR A BUSINESS PURPOSE AUTHORIZED BY ANIMATICS CORPORATION. ANY OTHER USE IS PROHIBITED. RECIPIENT AGREES TO KEEP SUCH INFORMATION CONFIDENTIAL.

MATERIAL <b>ALUMINUM HOUSING</b>	FINISH <b>BLACK ANODIZE HOUSING</b>	DRAWN <b>M. TRAN</b>	DATE 1/29/2009
UNLESS OTHERWISE SPECIFIED: DIMENSIONS ARE INCHES AND TOLERANCES ARE: <b>DECIMALS: .XXX ± .010</b> <b>ANGLES: .XX ± 0.25°</b> <b>.XX ± .04</b> <b>.X ± 0.5°</b>		INTERPRET DIMENSIONS AND TOLERANCES PER ASME Y14.5M - 1994. ALL DIMENSIONS, TOLERANCES AND ROUGHNESS APPLY AFTER FINISHING, WHEN APPLICABLE. NO BURRS ALLOWED, BREAK SHARP EDGES .01 MAX.	

**Animatics Corporation**

**SM34x05D SERIES W/EXT 24VIO OPTION**

SIZE **C** DWG NO **SM34x05D-AD1**

DO NOT SCALE DRAWING SCALE 1:1 SHEET 1 OF 1