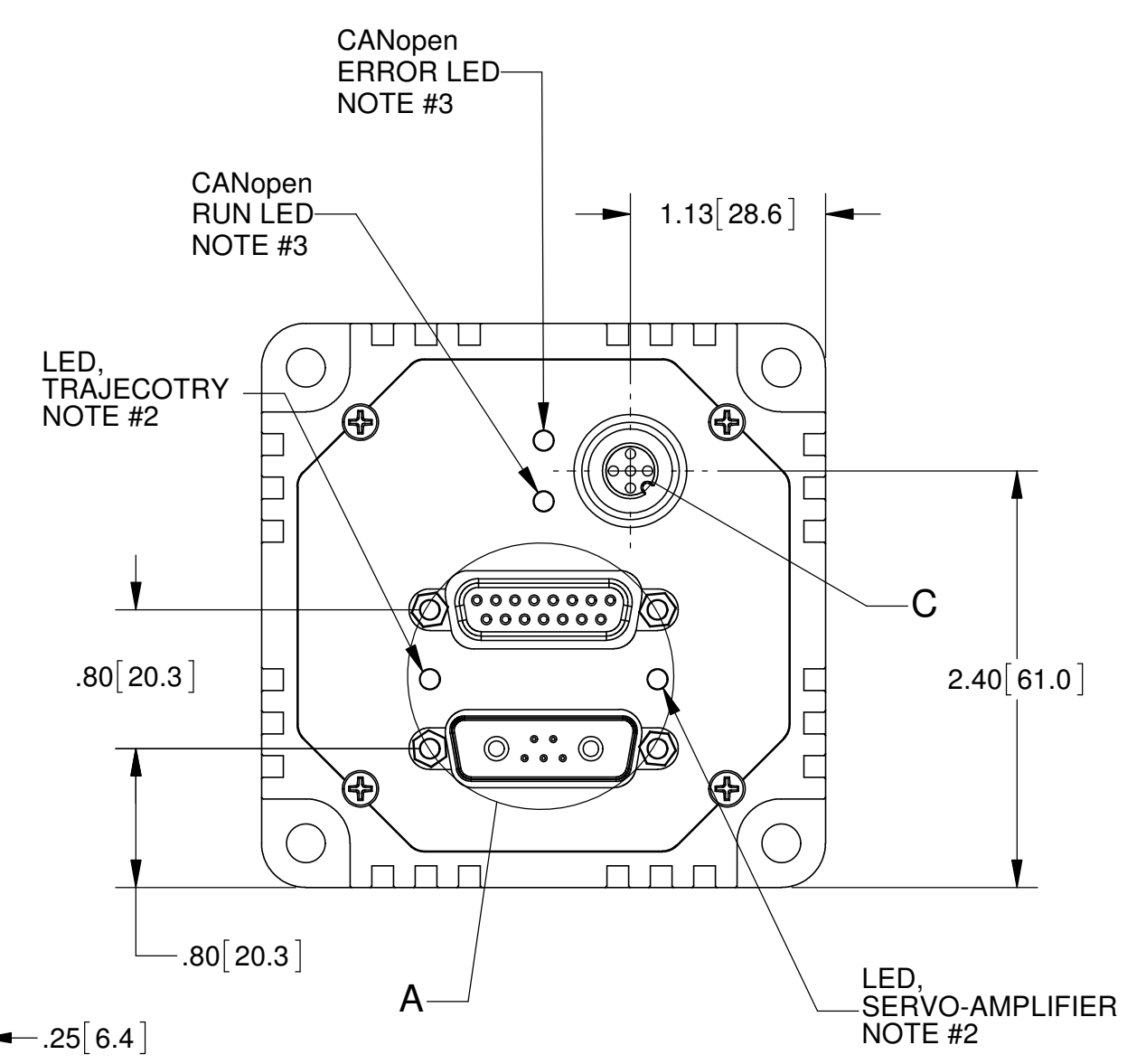
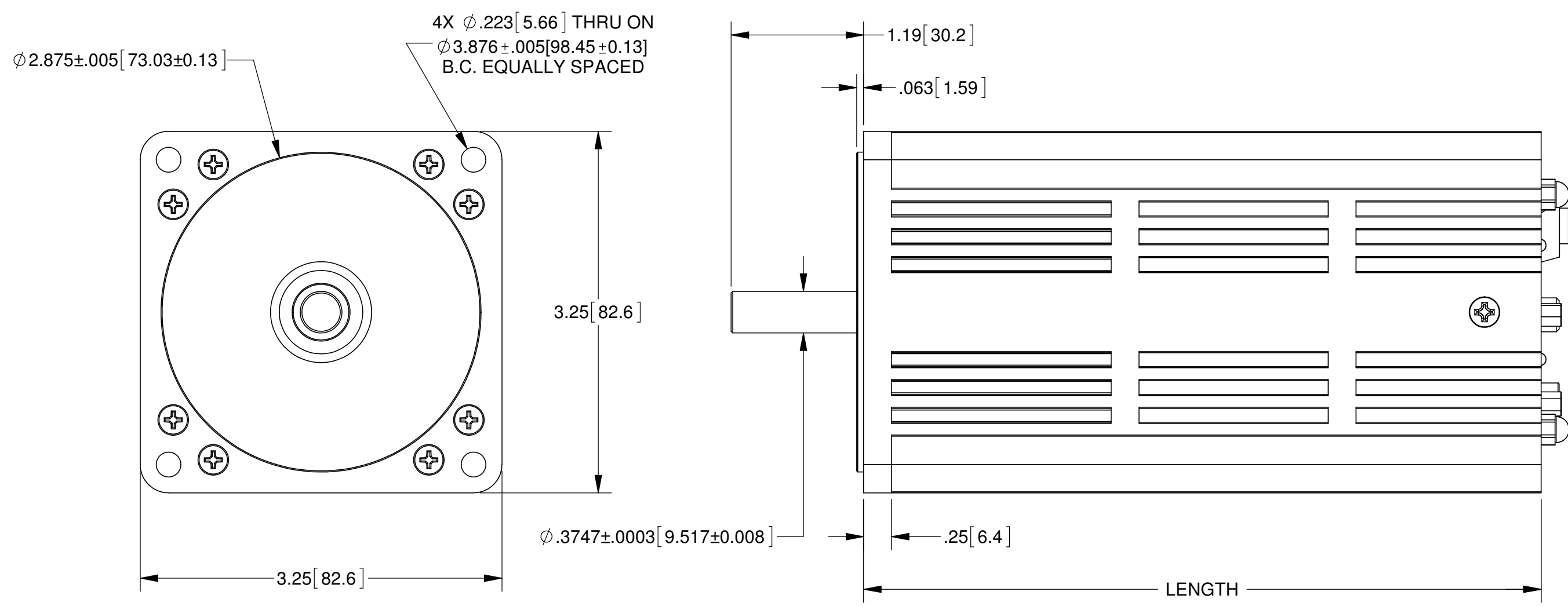
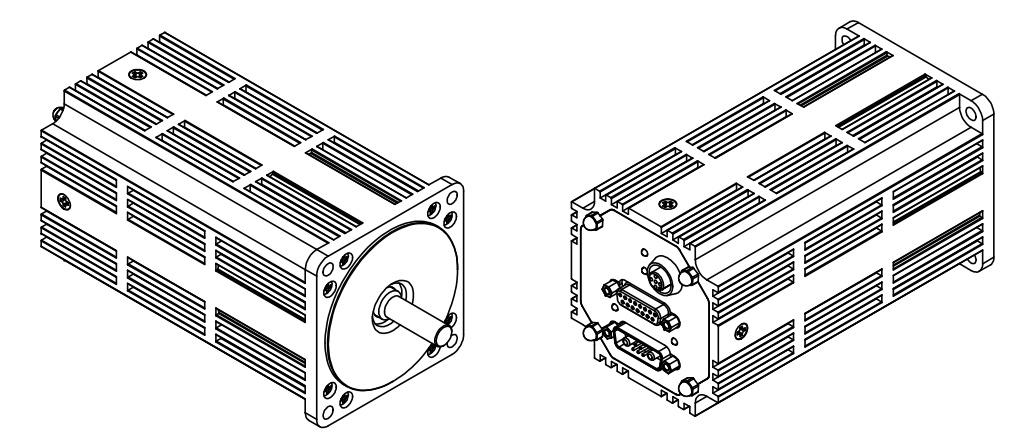
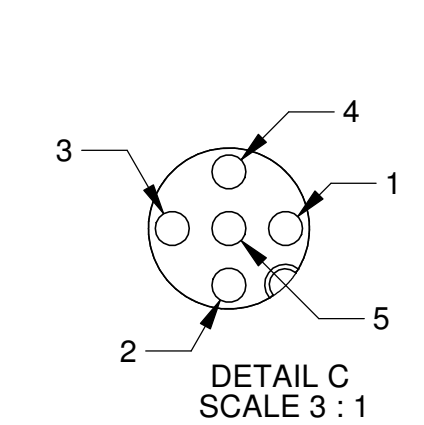
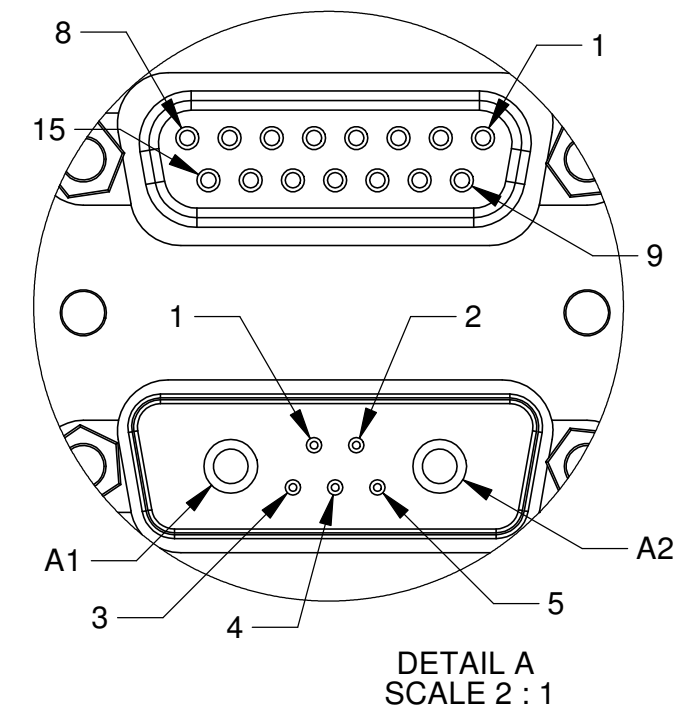


- NOTES:
- DRAWING APPLIES TO THE FOLLOWING SMARTMOTOR WITH PART NUMBERS:
 SM34105D-BRK-C SM34205D-BRK-C SM34305D-BRK-C SM34405D-BRK-C SM34505D-BRK-C
 SM34105D-DEBRK-C SM34205D-DEBRK-C SM34305D-DEBRK-C SM34405D-DEBRK-C SM34505D-DEBRK-C
 - LED, SERVO-AMPLIFIER:
 - CLEAR = CONTROLLER POWER NOT AVAILABLE
 - RED = FAULT
 - FLASH GREEN = DRIVE (AMPLIFIER) IS OFF
 - GREEN = DRIVE (AMPLIFIER) IS ON
 - LED, TRAJECTORY
 - CLEAR = NOT IN CONTROLLED TRAJECTORY (DEFAULT STATE)
 - GREEN = IN CONTROLLED TRAJECTORY (CLOSE LOOP MOTION)
 - CANopen ERROR LED (RED)
 - CLEAR = NO ERROR
 - SINGLE FLASH = WARNING, COMMUNICATION ERROR COUNT LIMIT REACHED
 - DOUBLE FLASH = GUARD OR HEART BEAT ERROR
 - CANopen RUN LED (GREEN)
 - SINGLE FLASH = DEVICE IS IN STOPPED STATE
 - BLINKING = PREOPERATIONAL STATE
 - SOLID = OPERATIONAL STATE
 - FOR -DE OPTION, DRIVE POWER AND CONTROLLER POWER ARE ON SEPARATE PINS. MUST PROVIDE POWER TO CONTROLLER AND DRIVE POWER TO OPERATE. SEE TABLE CN2 BELOW FOR PIN ASSIGNMENT.
 - DIMENSIONS IN [] ARE mm.
 - RECOMMENDED BOLTING SCREW SIZE TO BE 10-32 OR M5, SOCKET CAP.

REV.	DESCRIPTION	ZONE	ECO	DATE	APPROVED
A	PRELIMINARY RELEAS			1/29/2011	M. TRAN



PART NUMBER	LENGTH	
	in	mm
SM34105D-BRK	5.44	138.1
SM34205D-BRK	6.09	154.6
SM34305D-BRK	6.74	171.1
SM34405D-BRK	7.39	187.7
SM34505D-BRK	8.04	204.2



CANopen	
5-Pin M12, Female connector	
PIN #	NAME
1	NC
2	NC
3	GND CAN
4	CAN H
5	CAN L

CN2 : 15PIN D-SUB FEMALE CONNECTOR					
PIN #	NAME	FUNCTIONS			
		Default Function	Secondary Function	Digital I/O	Analog Input
1	I/O A	External Encoder A Input	Step Input	5V TTL	0 to 5V
2	I/O B	External Encoder B Input	Direction Input	5V TTL	0 to 5V
3	I/O C	Positive Limit Input		5V TTL	0 to 5V
4	I/O D	Negative Limit Input		5V TTL	0 to 5V
5	I/O E		RS485 A (+)	5V TTL	0 to 5V
6	I/O F		RS485 B (-)	5V TTL	0 to 5V
7	I/O G	G-Synchronization	RS485-ISO Adaptor Data	5V TTL	0 to 5V
8	ENC A OUT	Encoder A Output			
9	ENC B OUT	Encoder B Output			
10	RS232 Tx	RS232 Transmit			
11	RS232 Rx	RS232 Receive			
12	+5Vdc OUT	+5Vdc Supply Out			
13	GND	Signal GND			
14	POWER GND	POWER GND	For -DE Option, Pin 15 is Control power (20V to 48V) and Pin 14 is PWR GND. *PIN 15 is not connected to A1.		
15	POWER	POWER			

CN1 : 7PIN COMBO D-Sub Male Connector				
PIN #	NAME	FUNCTIONS	Ties to CN2, PIN #	
1	I/O G	G-Synchronization	7	
2	+5V dc OUT	+5Vdc Output	12	
3	RS232 Tx	RS232 Transmit	10	
4	RS232 Rx	RS232 Received	11	
5	GND	Signal GND	13	
A1	DRIVE PWR	Dirve Power (20 - 48Vdc)	15^	
A2	POWER GND	POWER GND	14	

CONFIDENTIAL. THE INFORMATION CONTAINED HEREIN IS THE PROPRIETY PROPERTY OF ANIMATICS CORPORATION. AND IS PROTECTED AS A TRADE SECRET. IT IS SUBMITTED FOR USE BY RECIPIENT ONLY FOR A BUSINESS PURPOSE AUTHORIZED BY ANIMATICS CORPORATION. ANY OTHER USE IS PROHIBITED. RECIPIENT AGREES TO KEEP SUCH INFORMATION CONFIDENTIAL.

MATERIAL ALUMINUM HOUSING	FINISH BLACK ANODIZE HOUSING	DRAWN M. TRAN	DATE 1/29/2009
UNLESS OTHERWISE SPECIFIED: DIMENSIONS ARE INCHES AND TOLERANCES ARE: DECIMALS: .XXX ± .010 ANGLES: .XX ± 0.25° .XX ± .04 .X ± 0.5°		ENGR	DATE

INTERPRET DIMENSIONS AND TOLERANCES PER ASME Y14.5M - 1994.
 ALL DIMENSIONS, TOLERANCES AND ROUGHNESS APPLY AFTER FINISHING, WHEN APPLICABLE.
 NO BURRS ALLOWED, BREAK SHARP EDGES .01 MAX.

Animatics Corporation

TITLE
SM34x05D SERIES W/BRAKE AND CANOPEN OPTIONS

SIZE DWG NO
C SM34x05D-BRK-C

DO NOT SCALE DRAWING SCALE 1:1 SHEET 1 OF 1