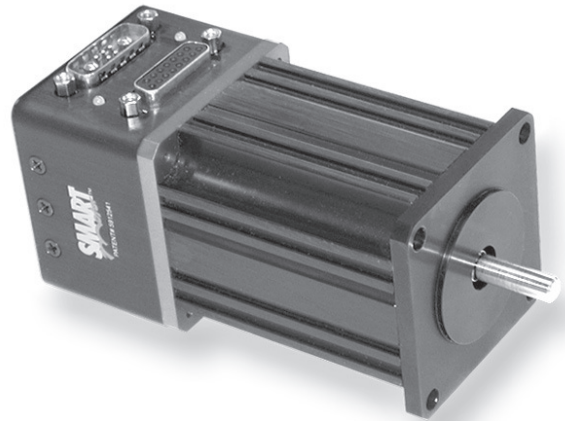
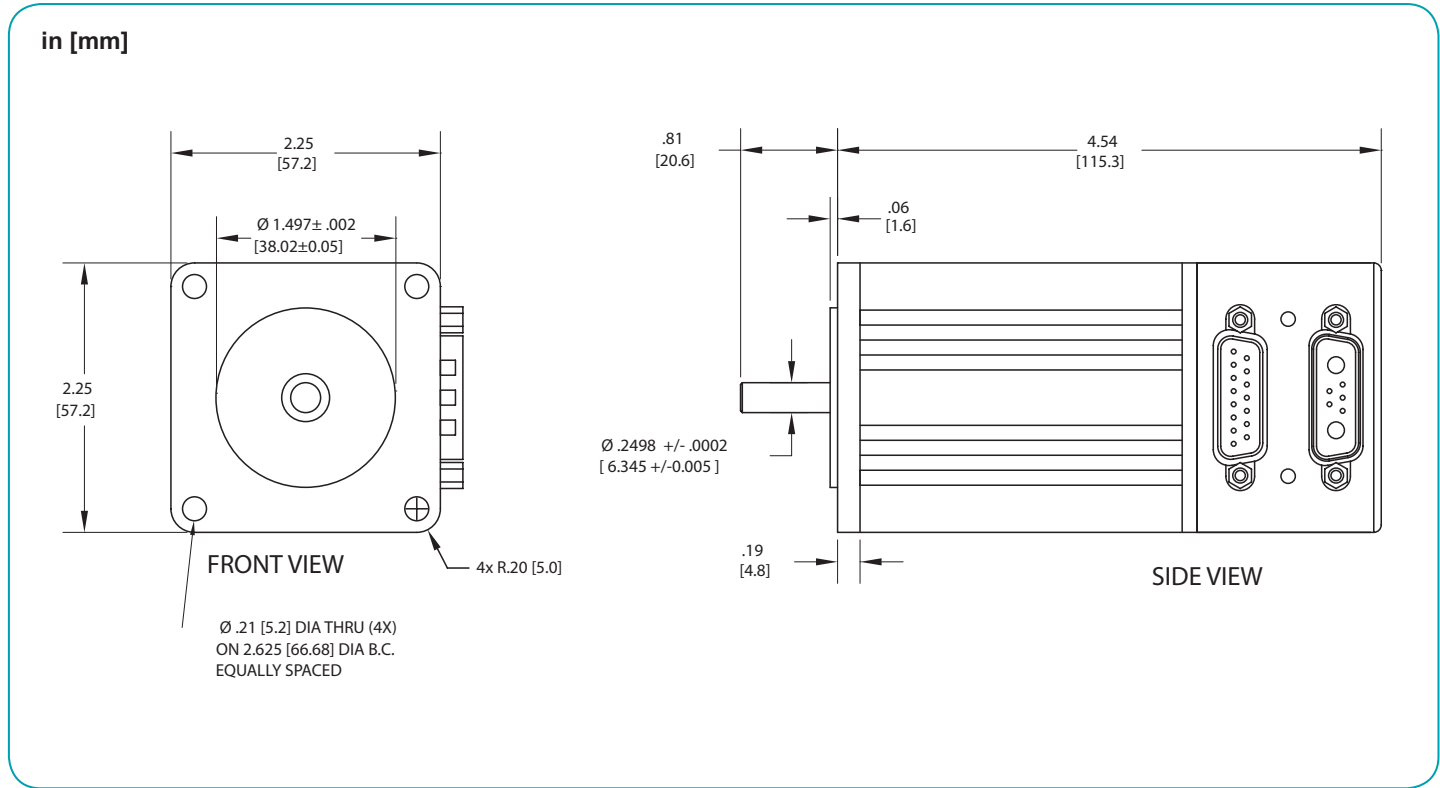


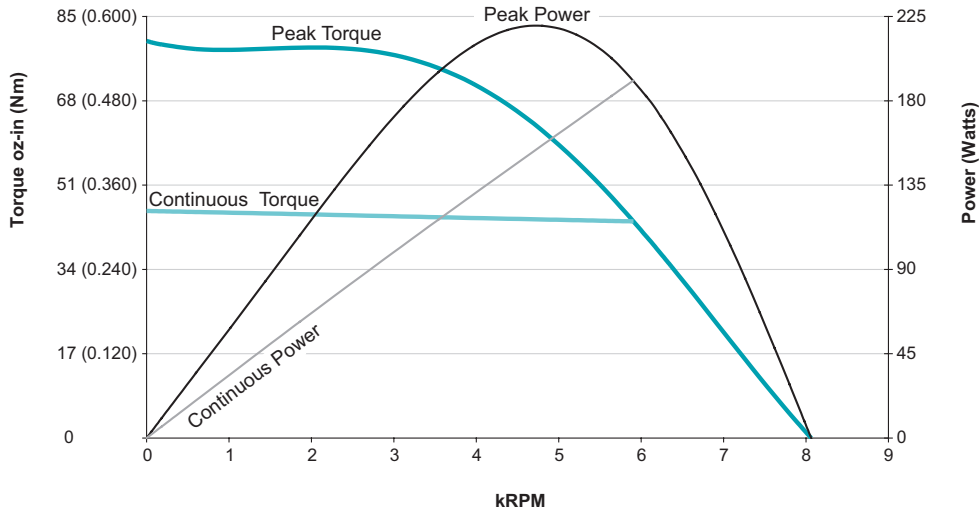
OVERVIEW
 MOTOR SPECIFICATIONS
 LINEAR SYSTEMS
 CONNECTIVITY
 PERIPHERALS
 IP 65 MODELS & CONNECTIVITY
 POWER SUPPLIES & SHUNTS
 GEAR HEADS
 SOFTWARE
 APPENDIX

SM23375D		
Continuous Torque	2.86	in-lb
	46	oz-in
	0.32	N-m
Peak Torque	5.00	in-lb
	80	oz-in
	0.57	N-m
Nominal Continuous Power	191	Watt
No Load Speed	8,000	RPM
Continuous Current @ Nominal Power	5.6	Amps
Voltage Constant	5.62	V/kRPM
Winding Resistance	0.6	ohms
Encoder Resolution	4,000	Counts/Rev
Rotor Inertia	0.0019	oz-in-sec ²
	1.342	10 ⁻⁵ Kg-m ²
Weight	2.1	lb
	0.95	kg
Shaft Diameter	0.250	in
	6.35	mm
Shaft, Radial Load	7	lb
	3.18	kg
Shaft, Axial Thrust Load	3	lb
	1.36	kg
DeviceNet Available	Yes	
ProfiBus Available		
CANopen Available	Yes	

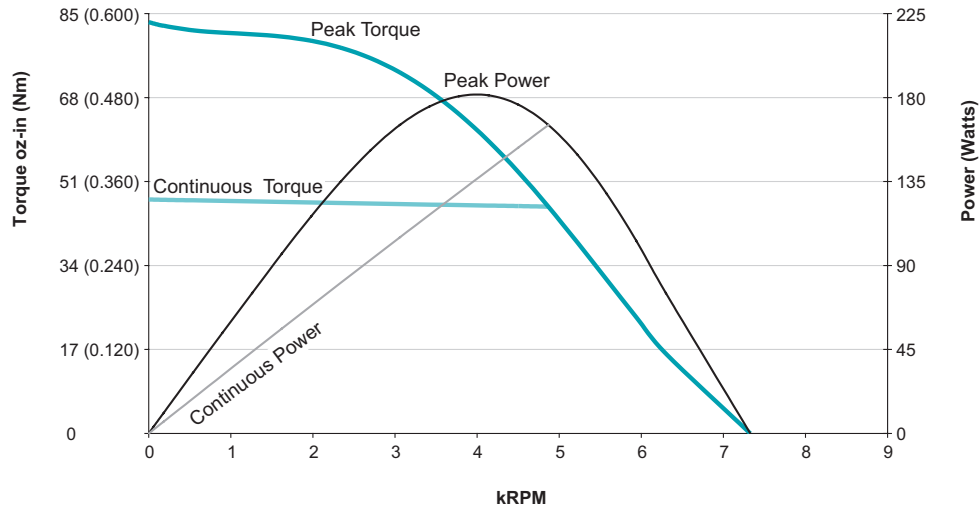


Animatics SmartMotor SM23375D (No Options) CAD Drawing

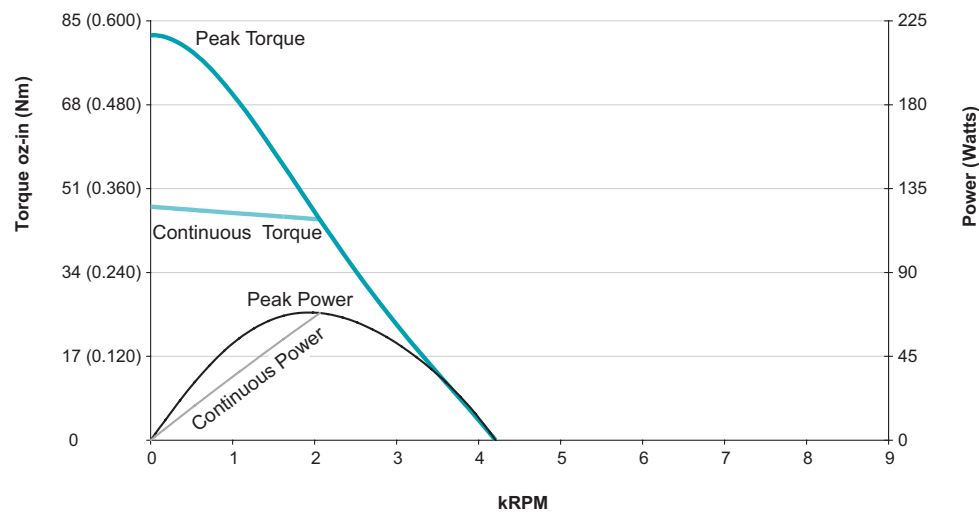




SM23375D
at 48 VDC
at rise to 85°C



SM23375D
at 42 VDC
at rise to 85°C



SM23375D
at 24 VDC
at rise to 85°C