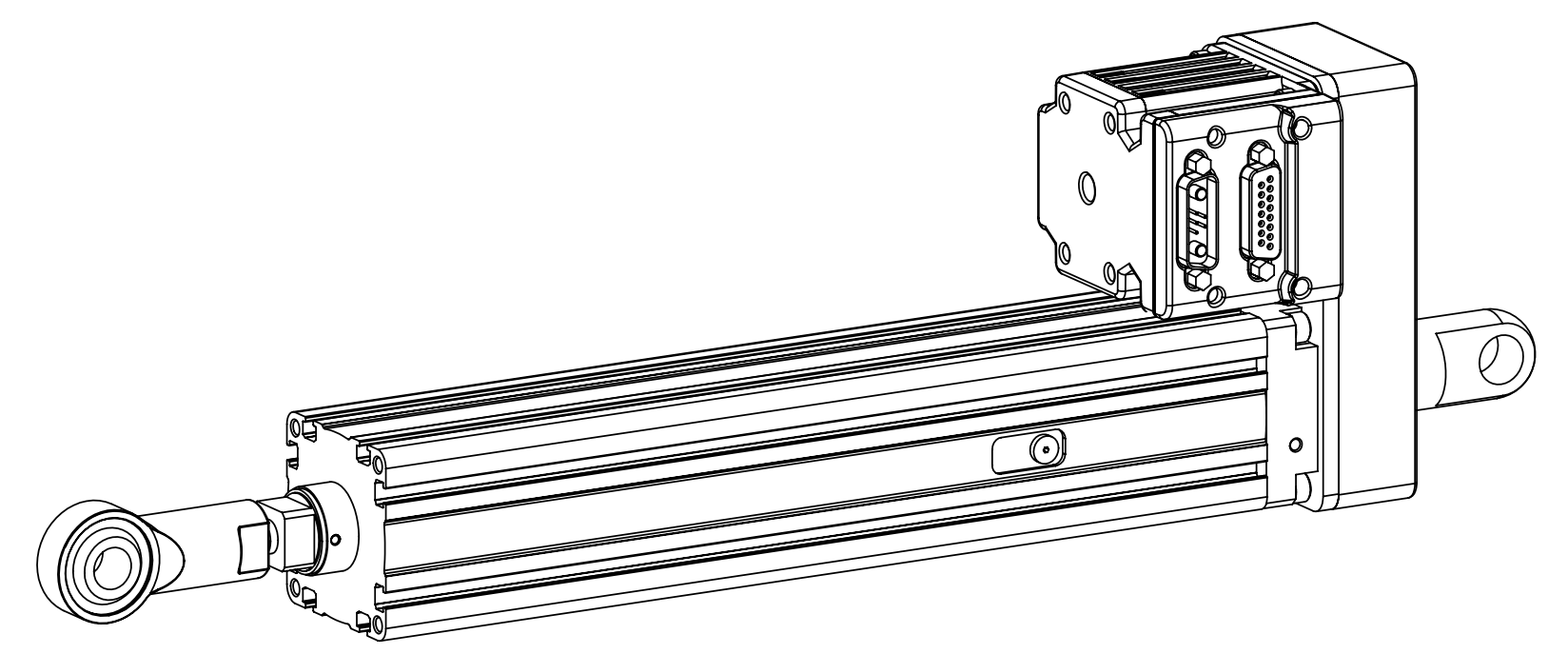
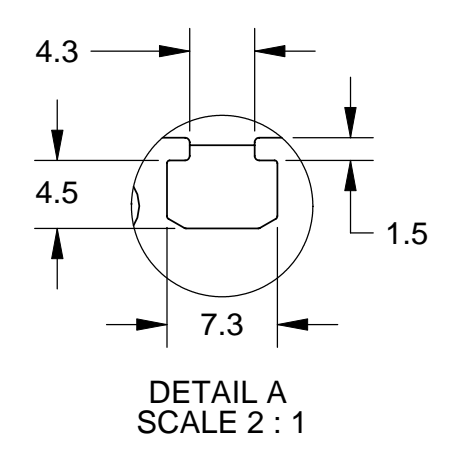
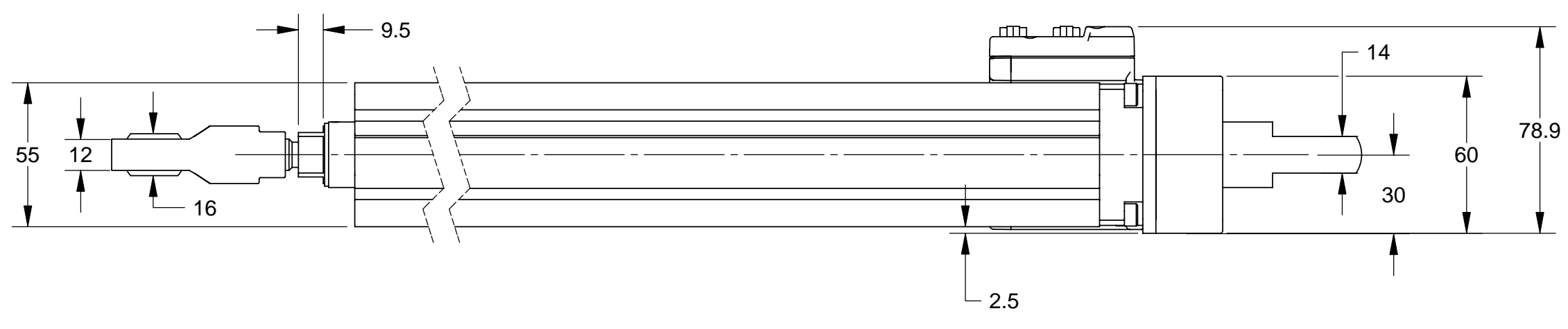
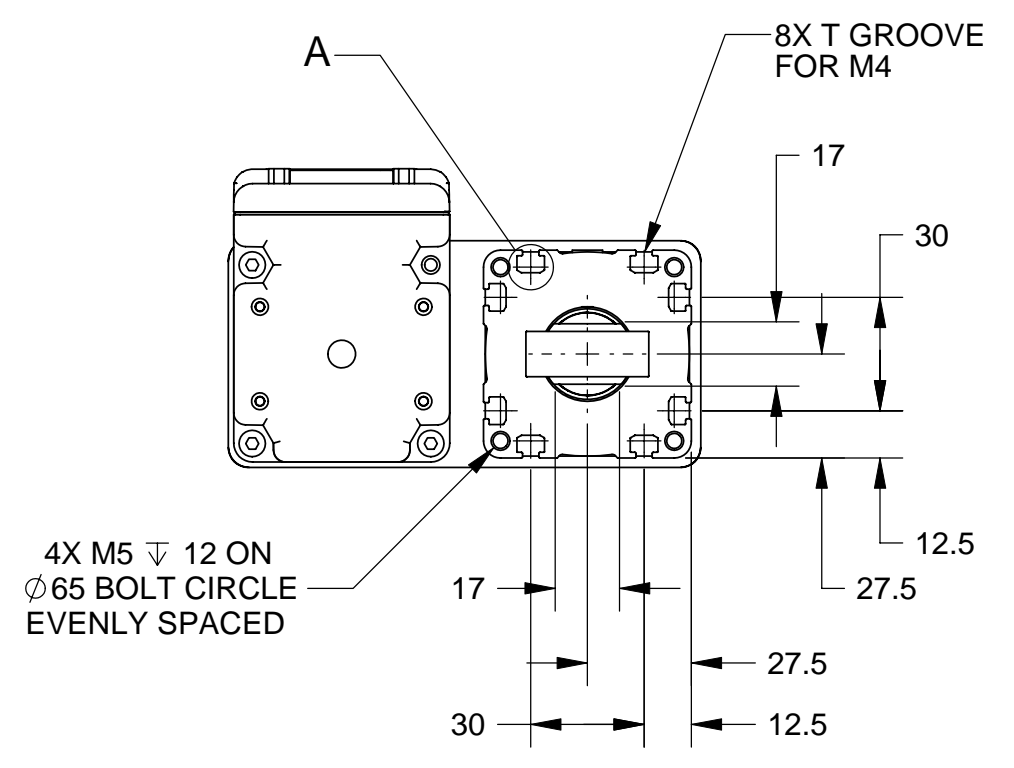
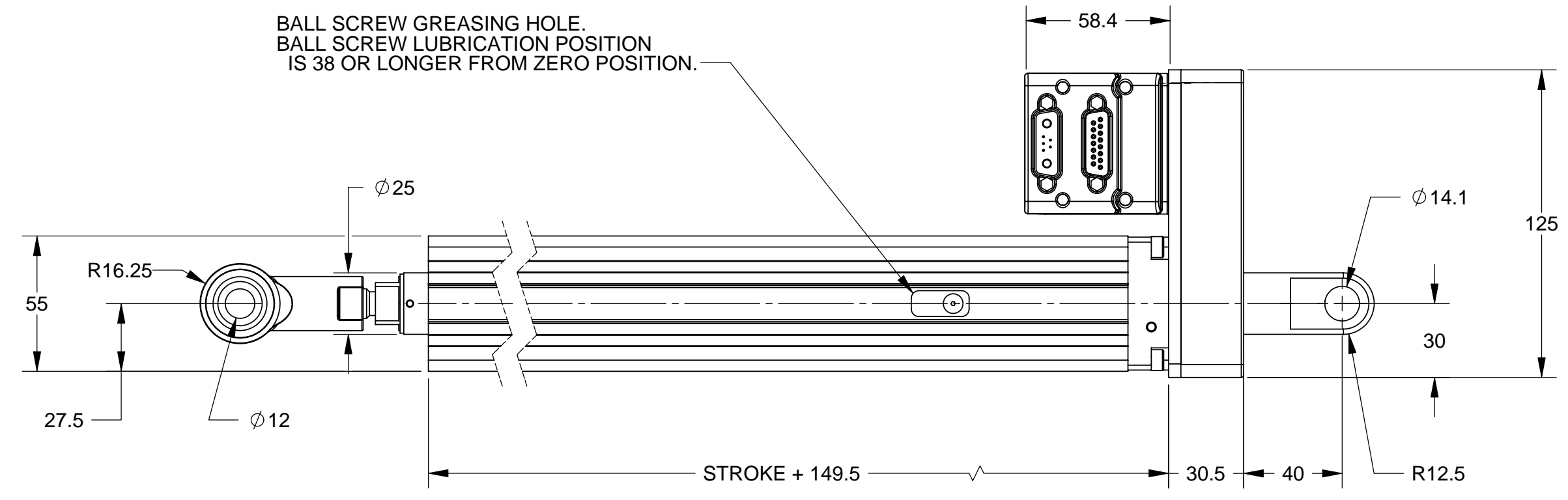



REV.	DESCRIPTION	ZONE	ECO	DATE	APPROVED
0	WORK IN PROGRESS			2/20/2008	M. TRAN
1	PULLEY HOUSING WIDTH CHANGED TO 125mm, REDUCTION OF 11mm.	E2, F2		2/22/2008	M. TRAN
2	PREP FOR WEB RELEASE (NO TECHNICAL CHANGES)		N/A	10/6/2010	GS



THIS DOCUMENT AND ENTIRE INFORMATION HEREON ARE PROPRIETARY TO OEM DYNAMICS AND SHALL NOT BE USED IN ANY WAY DETRIMENTAL TO OEM DYNAMICS INTEREST NOR REPRODUCED WHATSOEVER WITHOUT EXPRESS CONSENT				 California, USA <a href="http://www.OEMDynamics.com">www.OEMDynamics.com</a>	
MATERIAL	FINISH	DRAWN	DATE	TITLE	
/	/	M. TRAN	2/20/2008	SPECIFICATION DRAWING	
		ENGR	DATE	SIZE	REV
		M. TRAN	2/20/2008	C	2
<b>METRIC</b> THIRD ANGLE PROJECTION		UNLESS OTHERWISE SPECIFIED: DIMENSIONS ARE MILLIMETERS AND TOLERANCES ARE: DECIMALS: .XX ± NA    ANGLES: .XX ± NA° .X ± NA                .X ± NA°		INTERPRET DIMENSIONS AND TOLERANCES PER ASME Y14.5M - 1994. ALL DIMENSIONS, TOLERANCES AND ROUGHNESS APPLY AFTER FINISHING, WHEN APPLICABLE. NO BURRS ALLOWED, BREAK SHARP EDGES .3 MAX. SURFACE ROUGHNESS Ra 0.8 MICROMETERS.	
DO NOT SCALE DRAWING		SCALE	SHEET		
		1:2	1 OF 1		