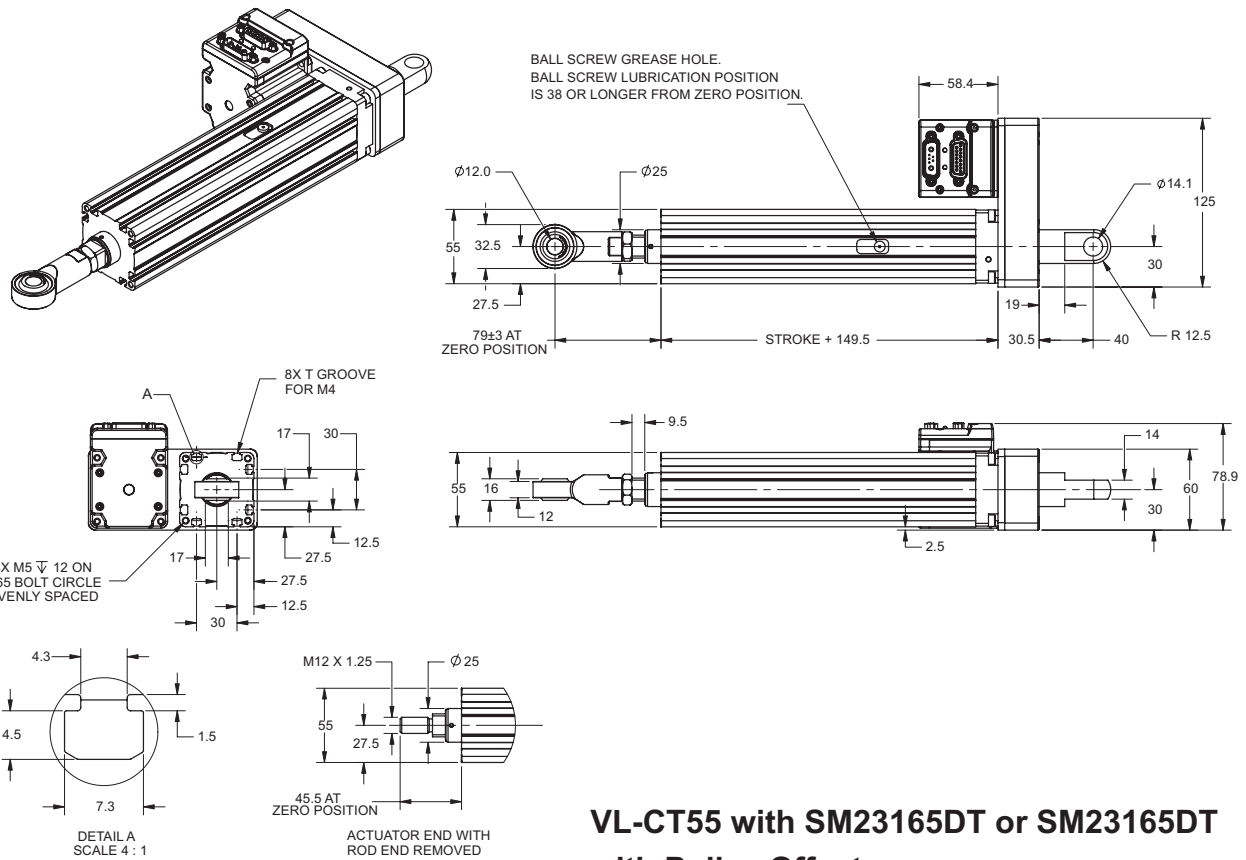
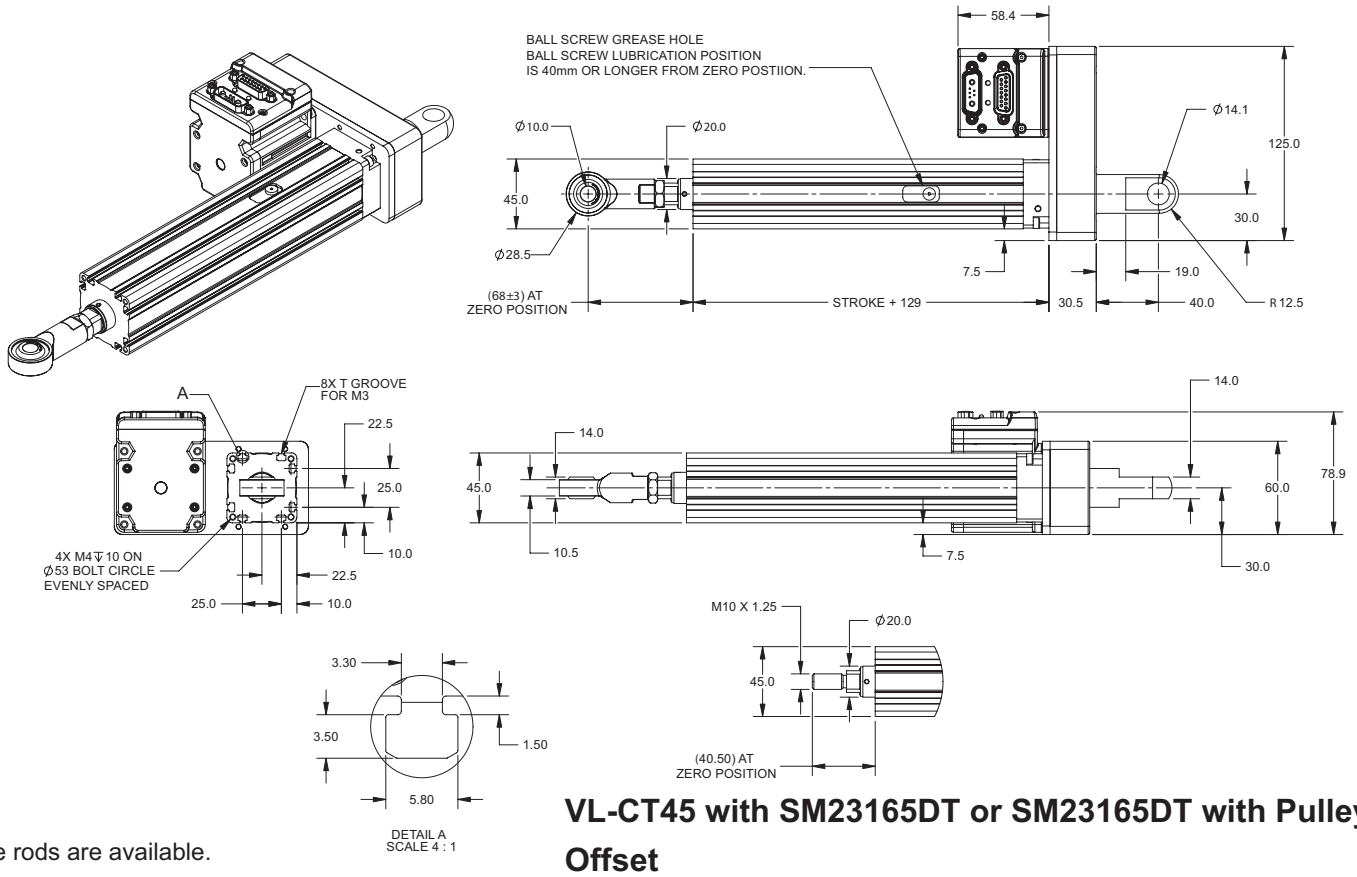


# Actuators

# VL-CT45/55 Pulley Offset



\*Tie rods are available.

## VL-CT55 with SM23165DT or SM23165DT with Pulley Offset



OVERVIEW  
 MOTOR SPECIFICATIONS  
 LINEAR SYSTEMS  
 CONNECTIVITY  
 PERIPHERALS  
 IP 65 MODELS & CONNECTIVITY  
 POWER SUPPLIES & SHUNTS  
 GEAR HEADS  
 SOFTWARE  
 APPENDIX