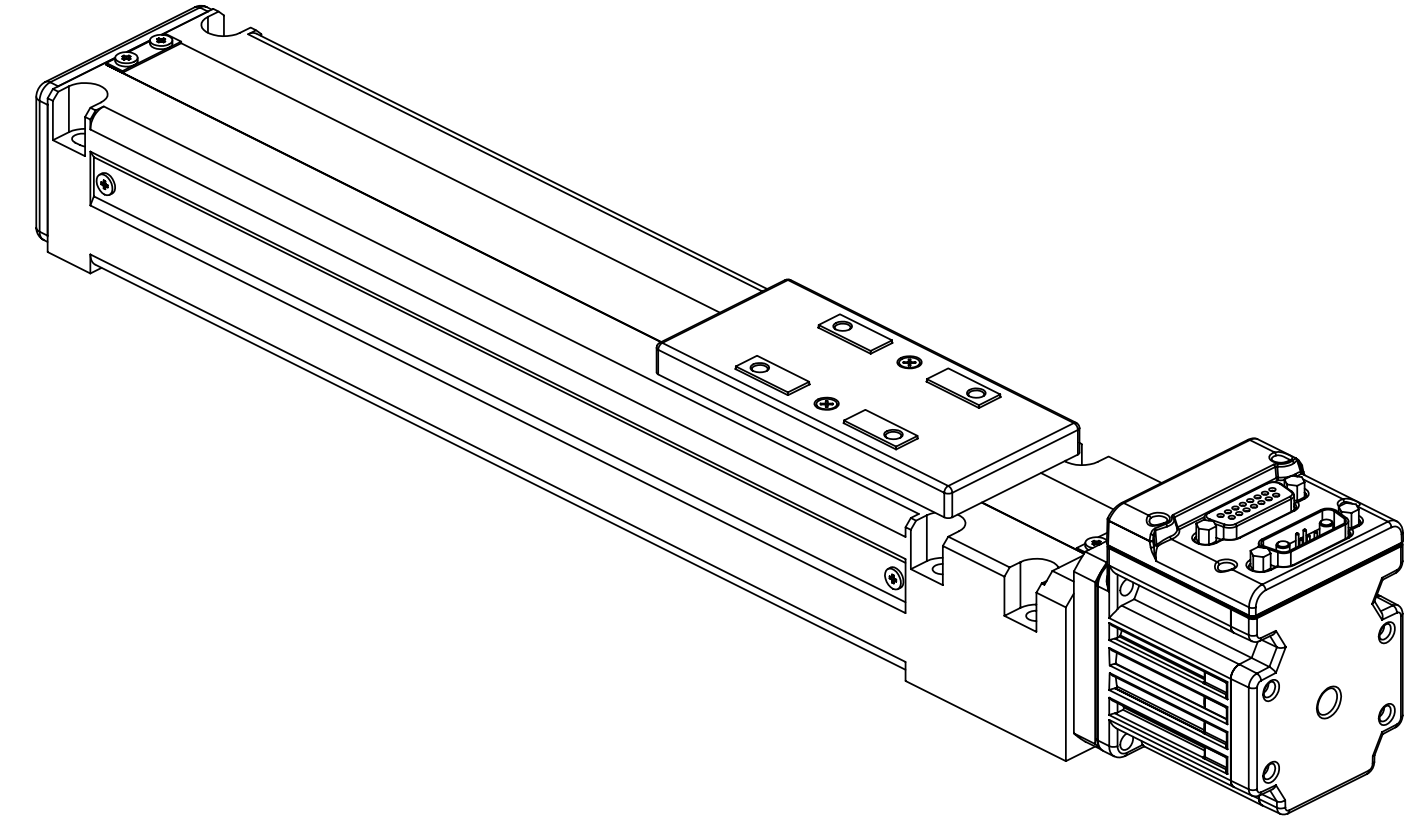
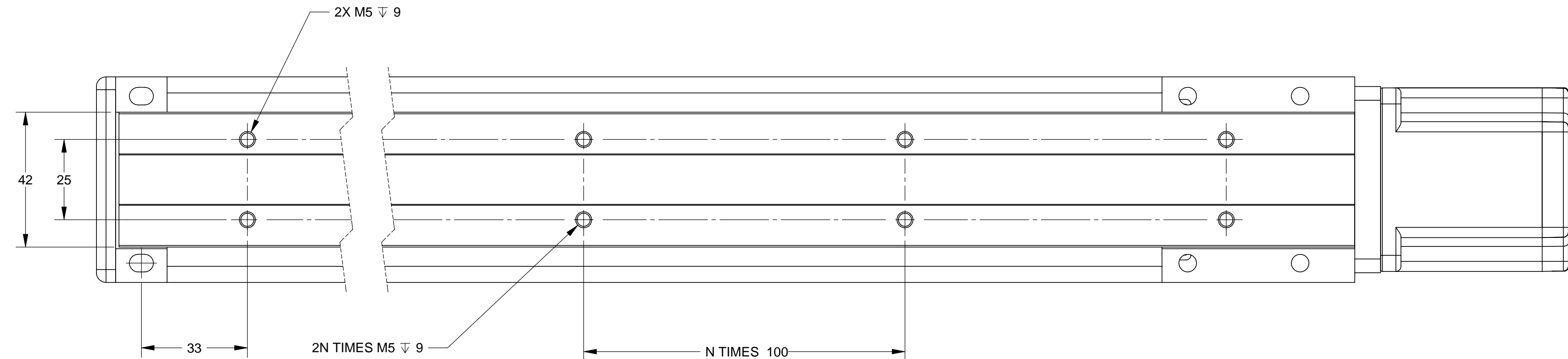
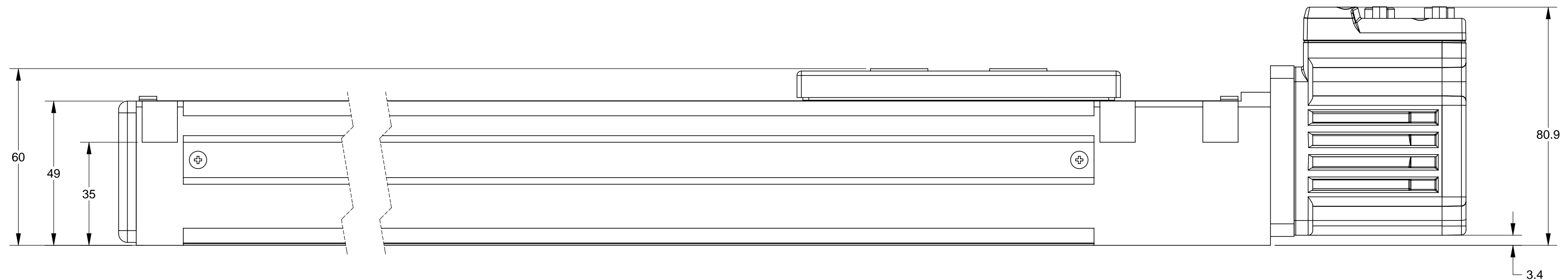
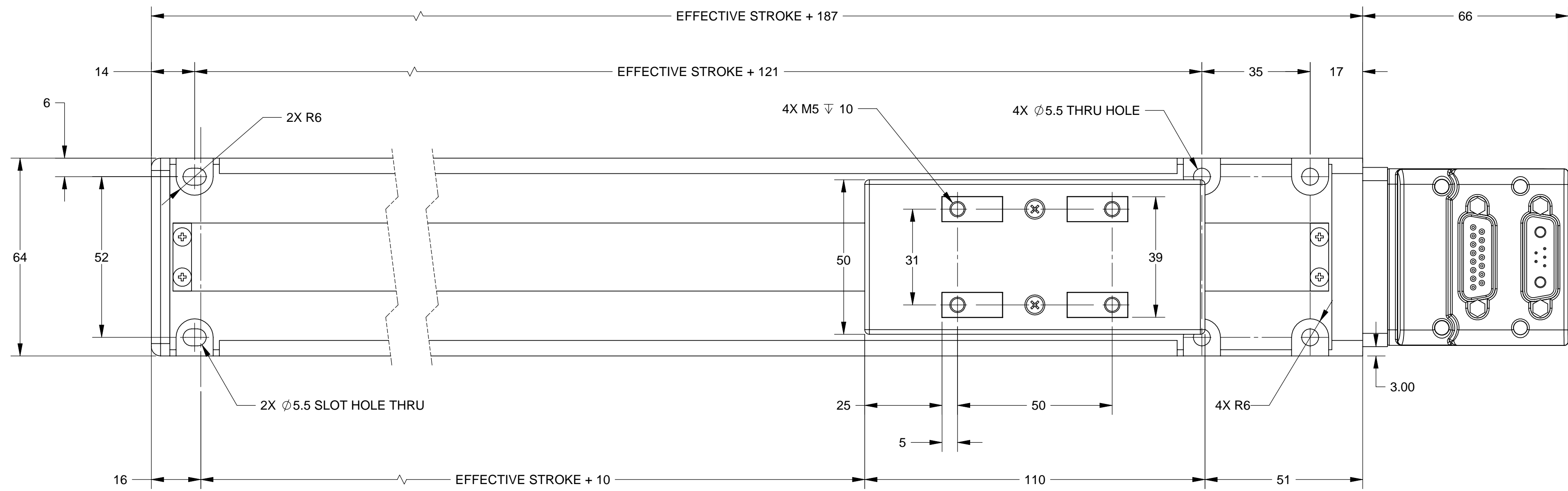


| REV. | DESCRIPTION | ZONE | ECO | DATE | APPROVED |
|------|---|------|-----|-----------|----------|
| 0 | INITIAL RELEASE | | N/A | 2/4/2008 | M. TRAN |
| 1 | PREP FOR WEB RELEASE (NO TECHNICAL CHANGES) | | N/A | 10/7/2010 | GS |



THIS DOCUMENT AND ENTIRE INFORMATION HEREON ARE PROPRIETARY TO OEM DYNAMICS AND SHALL NOT BE USED IN ANY WAY DETRIMENTAL TO OEM DYNAMICS INTEREST NOR REPRODUCED WHATSOEVER WITHOUT EXPRESS CONSENT

| | | | | | |
|----------|--------|-------|---------|------|----------|
| MATERIAL | FINISH | DRAWN | M. TRAN | DATE | 2/4/2008 |
| | | ENGR | M. TRAN | DATE | 2/4/2008 |

METRIC UNLESS OTHERWISE SPECIFIED: DIMENSIONS ARE MILLIMETERS AND TOLERANCES ARE: INTERPRET DIMENSIONS AND TOLERANCES PER ASME Y14.5M - 1994.

THIRD ANGLE PROJECTION

DECIMALS: .XX ± NA
ANGLES: .X ± NA

California, USA
www.OEMDynamics.com

TITLE: SPECIFICATION DRAWING VL-ST60

SIZE: D DWG NO: VLST60-XXXX-XXXX-XXX-XXXXXXX REV: 1
DO NOT SCALE DRAWING SCALE: 1:1 SHEET: 1 OF 1