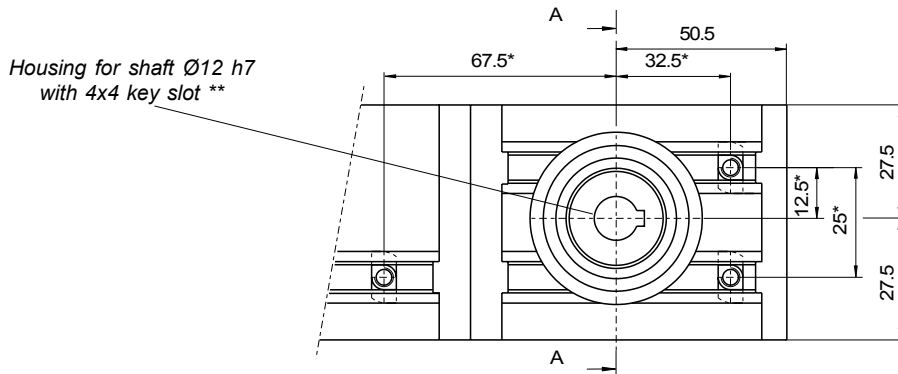
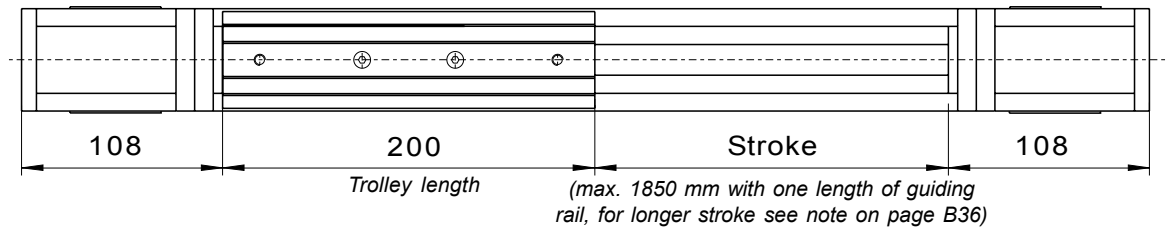
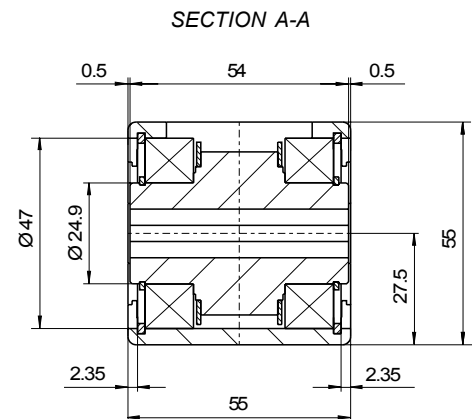
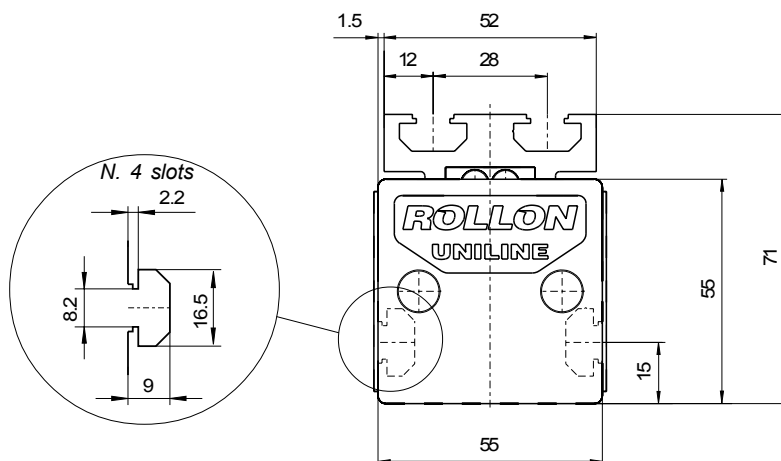


C55

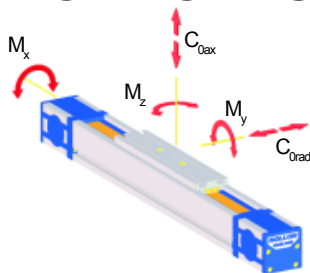


* Position of the T-nuts of our interface plates (see pages B32 and B33).

** In the inch versions (order code suffix "P"), the shaft housing is $\varnothing 1/2$ " with $1/8$ " x $1/8$ " keyslot.



LOAD CAPACITIES



C_{0rad} [N]	C_{0ax} [N]	M_x [Nm]	M_y [Nm]	M_z [Nm]
300	1640	18.5	65.6	11.7

Note: radial load C_{0rad} is considered to be applied along the axis of the internal rail (see page B5).

OTHER FEATURES

Moment of inertia I_y [cm ⁴]	34.4
Moment of inertia I_z [cm ⁴]	45.5
Max speed [m/s]	3
Weight of unit with stroke zero [g]	2971
Weight of unit per meter [g]	4605
Mass of slider [g]	549
Stroke for shaft revolution [mm]	130
Type of guiding rail	TLV18/ULV18

Type of slider	2 CSW18 spec. 4 rollers
Pitch diameter of pulley [m]	0.04138
Moment of inertia of mass of each pulley [gmm ²]	45633
Mass of belt [g/m]	74
Max. Belt Tractive Force F_{max} [N]	1330
Standard belt tension [N]	220
Standard starting loadless torque [Nm]	0.3
Belt length [m]	2 x stroke (in m) + 0.630