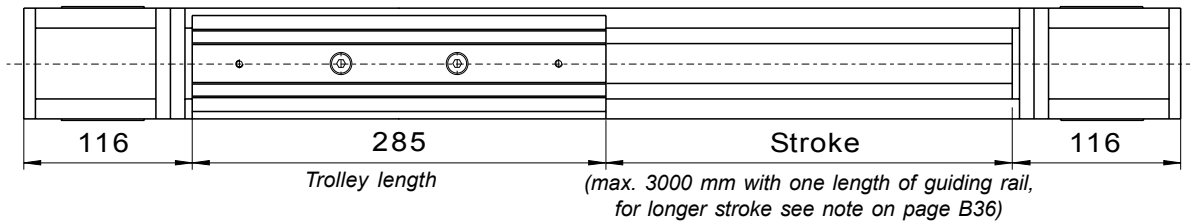
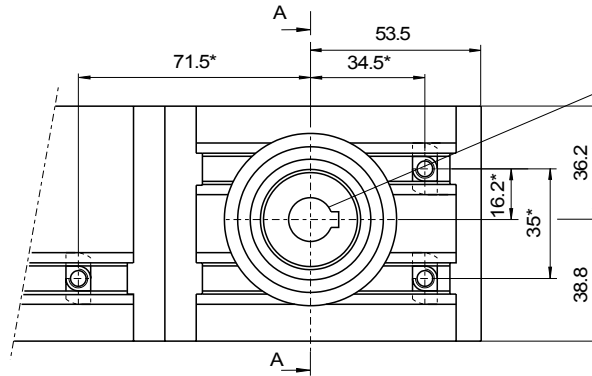


C75



* Position of the T-nuts of our interfaces plates (see pages B32 and B33).

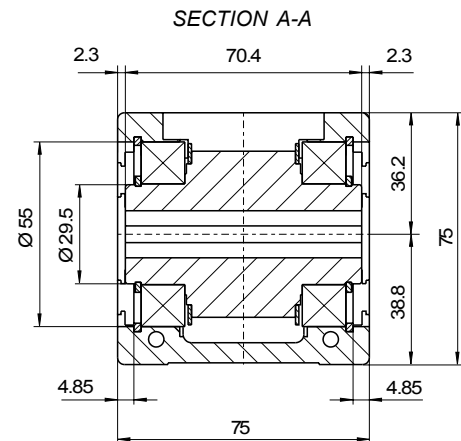
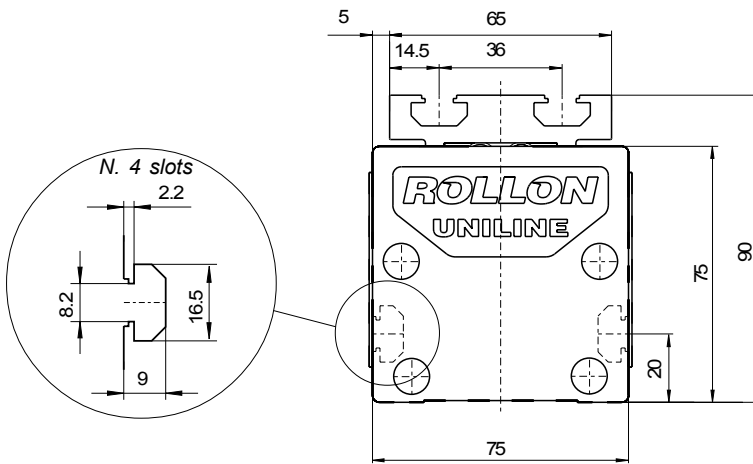


Housing for shaft Ø14 h7 with 5x5 key slot **

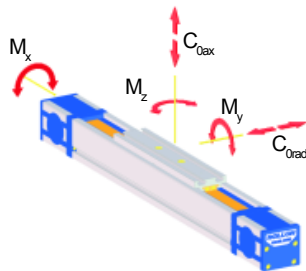
** In the inch versions (order code suffix "P"), the shaft housing is Ø5/8" with 3/16" x 3/16" key slot.

SPECIAL VERSIONS (upon request):

- Ø16 h7 with 5x5 keyway
- Ø19 h7 with 6x6 keyway
- Ø14 h7 for 14x18 compression coupling
- Ø19 h7 for 19x24 compression coupling



LOAD CAPACITIES



C _{0rad} [N]	C _{0ax} [N]	M _x [Nm]	M _y [Nm]	M _z [Nm]
750	4350	85.2	217	36.1

Note: radial load C_{0rad} is considered to be applied along the axis of the internal rail (see page B5).

OTHER FEATURES

Moment of inertia I _y [cm ⁴]	108
Moment of inertia I _z [cm ⁴]	155
Max speed [m/s]	5
Weight of unit with stroke zero [g]	6853
Weight of unit per meter [g]	9151
Mass of slider [g]	1666
Stroke for shaft revolution [mm]	160
Type of guiding rail	TLV28/ULV28

Type of slider	2 CSW28 spec. 4 rollers
Pitch diameter of pulley [m]	0.05093
Moment of inertia of mass of each pulley [gmm ²]	139969
Mass of belt [g/m]	185
Max. Belt Tractive Force F _{max} [N]	4480
Standard belt tension [N]	800
Standard starting loadless torque [Nm]	1.3
Belt length [m]	2 x stroke (in m)+ 0.792