



## INTELLIGENT MOTION SYSTEMS

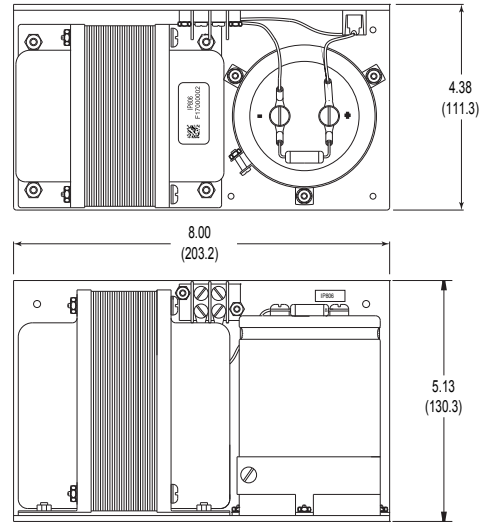
*Excellence in Motion™*

# IP806 Unregulated Linear Power Supply

Connection, Mounting and Specifications

370 N. Main St., P.O. Box 457, Marlborough, CT 06447  
 Phone: 860/295-6102, Fax: 860/295-6107  
 Internet: www.imshome.com, Email: info@imshome.com

## DIMENSIONAL INFORMATION



Dimensions in Inches (mm)

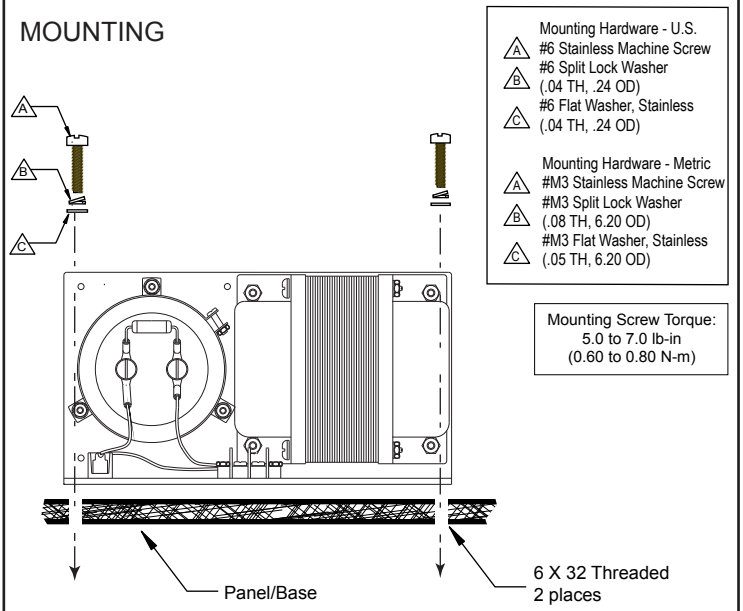
## IP804 UNREGULATED POWER SUPPLY

The IP806 unregulated linear DC power supply is a small, low cost supply designed to deliver optimum power for top stepper drive performance. It can be either rack or panel mounted and is available in both 115VAC and 240VAC versions.



IP806 (115 VAC, -240 Not Shown)

## MOUNTING



## ELECTRICAL SPECIFICATIONS

Electrical Specifications				
Specification	Min.	Typ.	Max.	Units
AC Input Voltage (IP806)		115	132	VAC
AC Input Voltage (IP806-240)		230	264	VAC
Input Frequency		50 - 60		Hz
Output Voltage (Nominal, No Load)		80		VDC
Output Current		6		A

## REPLACEMENT FUSE



7A SLOW BLOW 250V

## POWER SUPPLY CONNECTIONS

In connecting the IP806 power supply observe the following:

- 1) Use shielded, twisted pair wiring between power supply and driver (see driver operating instructions for recommended wiring).
- 2) Ensure that the power supply output voltage does not exceed the maximum input voltage of the driver used.

