

IP POWER

Sold by Servo Systems Co. 115 Main Road, P.O. Box 97, Montville, NJ 07045-0097
 Toll Free: (800) 922-1103 Phone: (973) 335-1007 Fax: (973) 335-1661
 www.servosystems.com

UNREGULATED DC POWER SUPPLIES

DESCRIPTION

IMS unregulated DC power supplies deliver optimum power for top driver performance. The IP402, IP404, IP406 and IP804 can be rack or panel mounted. The IP406 provides both cost and space savings in multiple 40/48 VDC driver applications.

For high power, multiple driver applications using 80 volt drivers, we offer the IP806. This power supply's rugged open framed "L" bracket design is easily panel mounted.

Optional 240 volt DC power supplies are available. Specify when ordering by adding -240 to the part number.

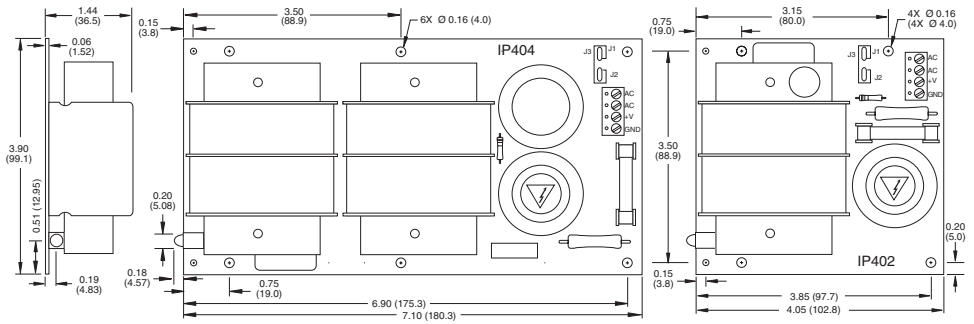
ELECTRICAL SPECIFICATIONS

	IP402	IP404
Input Voltage.....	120 VAC (Option -240)	120 VAC (Option -240)
Input Frequency.....	50/60 Hz	50/60 Hz
No Load Output Voltage*	39 VDC @ 0 Amps	43 VDC @ 0 Amps
Continuous Output Rating* ..	30 VDC @ 1 Amps	32 VDC @ 2 Amps
Peak Output Rating*	25 VDC @ 2 Amps	26 VDC @ 4 Amps
	IP406	IP804
Input Voltage.....	120 VAC (Option -240)	120 VAC (Option -240)
Input Frequency.....	50/60 Hz	50/60 Hz
No Load Output Voltage*	39 VDC @ 0 Amps	76 VDC @ 0 Amps
Continuous Output Rating* ..	33 VDC @ 3 Amps	65 VDC @ 2 Amps
Peak Output Rating*	30 VDC @ 6 Amps	58 VDC @ 4 Amps
	IP806	
Input Voltage.....	120 VAC (Option -240)	
Input Frequency.....	50/60 Hz	
No Load Output Voltage*	76 VDC @ 0 Amps	
Half Load Output*	68 VDC @ 3 Amps	
Full Load Output*	64 VDC @ 6 Amps	

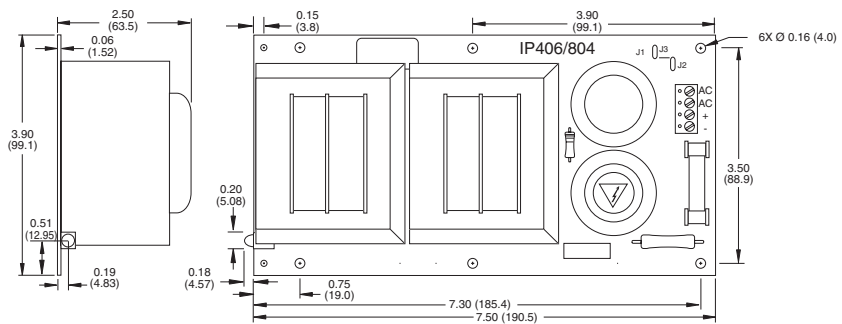
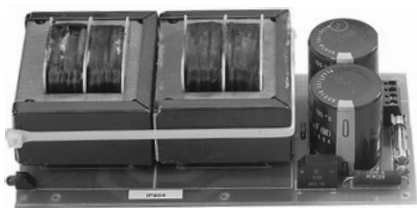
*Measurements taken @ 25° C, 120 VAC, 60 Hz

Dimension in Inches (mm)

IP402/404



IP406/804



IP806

