

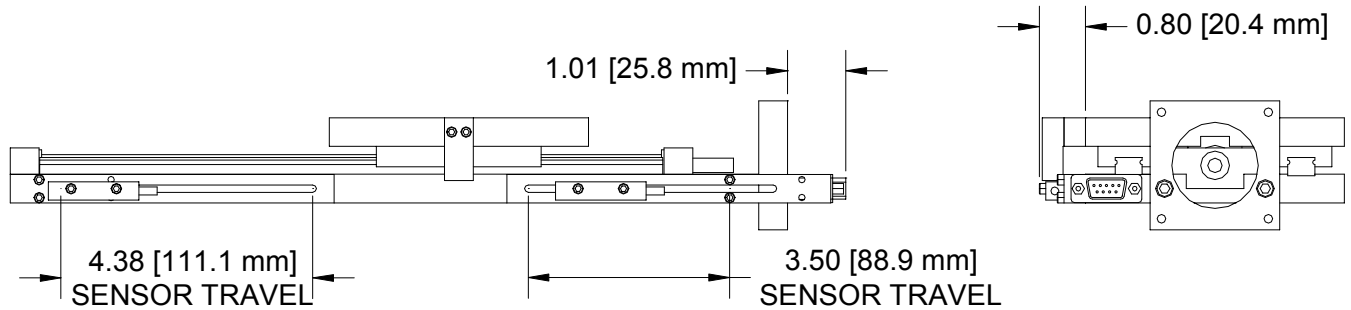
SERVO SYSTEMS CO.

Low Profile Series Linear Stages - Accessories

Model: HLPS-xLS

Description: Dual position limit / home sensors with trigger

Dimensions:



Specifications:

Power Consumption	<0.24W
Max. Switching Current	100 mA
Voltage Drop	<1.5V
Max. Switching Frequency	1kHz
Output Indicator	Red LED
Protection Class	IP67 (sensor only)
Connection	9-pin D-sub Male
Pin Function	Pin 1: Supply Voltage (5-30VDC) Pin 3: Signal Ground Pin 5: Negative Limit (near motor) Pin 7: Positive Limit (far end)

Note: When placing your order, please specify PNP or NPN, and Normally Open or Normally Closed. These sensors are short circuit protected, but are not protected against polarity reversal.

Price: Call for pricing

Servo Systems Co. can configure any of our **Low Profile Series** stages in X-Y and X-Y-Z configurations. In addition, we can complete this linear system with any step motor, servo motor, or SmartMotor™ that is needed for your application.

