

SERVO SYSTEMS CO.

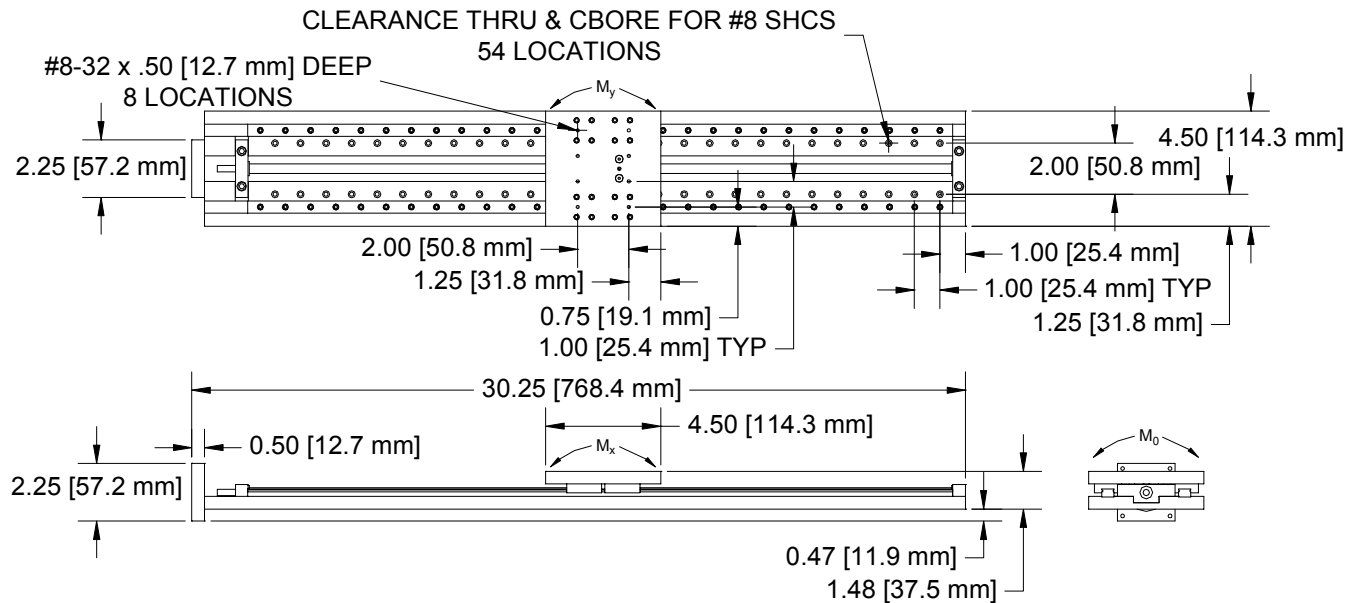
Low Profile Series Linear Stages

Model: LPS-24-20

Description: 24 inch travel linear stage with anti-backlash lead-screw assembly, profiled linear rails, and four (two per rail) linear bearings

Motor Mount: Standard NEMA 23

Dimensions:



Specifications:

Unit Weight	9.5 lb.	Linear Speed	16 in./sec.
Moving Mass	1.312 lb.	Leadscrew Efficiency	83%
Travel Length	24.69 in.	Bidirectional Repeatability	0.0005 in.
Screw Inertia	2.738E-05 lb.-in.-sec. ²	Pricing Information	LPS-24-20*
Axial Moment (M_o)	180.50 in.-lb.	Optional Accessories	LPS-MFT* Mounting Foot LPS-xLS* Dual Position Limit / Home Sensors LPS-MCH* Manual Crank Handle LPS-MSH* Motor Shaft Crank Handle - fits 1/4" rear motor shaft LPS-ZB* Z-axis Bracket
Perpendicular Moments (M_x & M_y)	97.21 in.-lb.		
Maximum Dynamic Load	20 lb.		
Payload	18.688 lb.		
Drag Torque	3 oz.-in.		
Standard Lead	1.0 in./rev.		

Notes: Stock screw pitches come in 1 in., .5 in., .25 in., and .2 in.; other screw pitches available upon request

*Contact Servo Systems Co. via phone or e-mail for pricing information

