

# SERVO SYSTEMS CO.

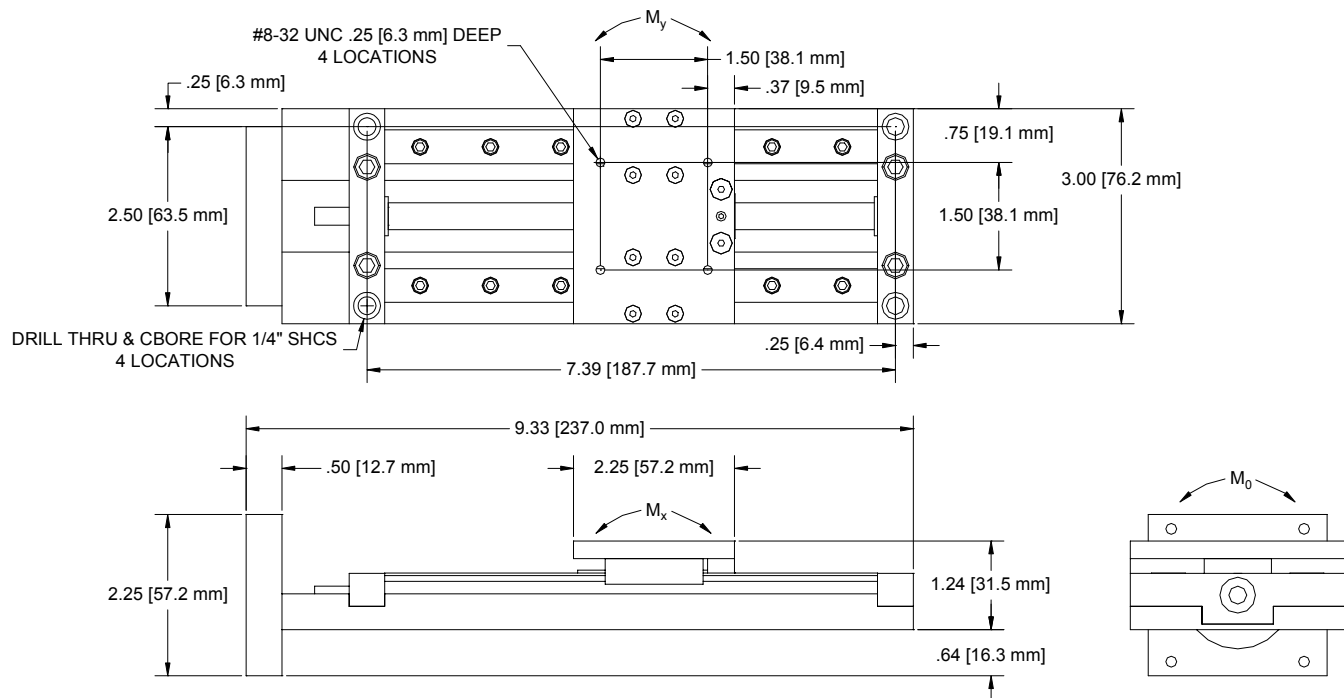
## Low Profile Series Miniature Linear Stages

**Model:** MLPS-4-10

**Description:** 4 inch travel linear stage with anti-backlash lead-screw assembly, profiled linear rails, and two (one per rail) linear bearings

**Motor Mount:** Standard NEMA 23

**Dimensions:**



**Specifications:**

<b>Unit Weight</b>	2.2 lb.	<b>Linear Speed</b>	15 in./sec.
<b>Moving Mass</b>	0.372 lb.	<b>Leadscrew Efficiency</b>	81%
<b>Travel Length</b>	4.60 in.	<b>Bidirectional Repeatability</b>	0.0005 in.
<b>Screw Inertia</b>	7.808E-06 lb.-in.-sec. <sup>2</sup>	<b>Pricing Information</b>	<b>MLPS-4-10*</b>
<b>Axial Moment (M<sub>0</sub>)</b>	90.26 in.-lb.	<b>Optional Accessories</b>	<b>MLPS-MFT*</b> Mounting Foot <b>MLPS-xLS*</b> Dual Position Limit / Home Sensors <b>LPS-MCH*</b> Manual Crank Handle <b>LPS-MSH*</b> Motor Shaft Crank Handle - fits 1/4" rear motor shaft
<b>Perpendicular Moments (M<sub>x</sub> &amp; M<sub>y</sub>)</b>	48.60 in.-lb.		
<b>Maximum Dynamic Load</b>	10 lb.		
<b>Payload</b>	9.628 lb.		
<b>Drag Torque</b>	3 oz.-in.		
<b>Standard Lead</b>	0.5 in./rev.		

Notes: Stock screw pitches come in 1 in., .5 in., .25 in., and .2 in.; other screw pitches available upon request

\*Contact Servo Systems Co. via phone or e-mail for pricing information

