

SERVO SYSTEMS CO.

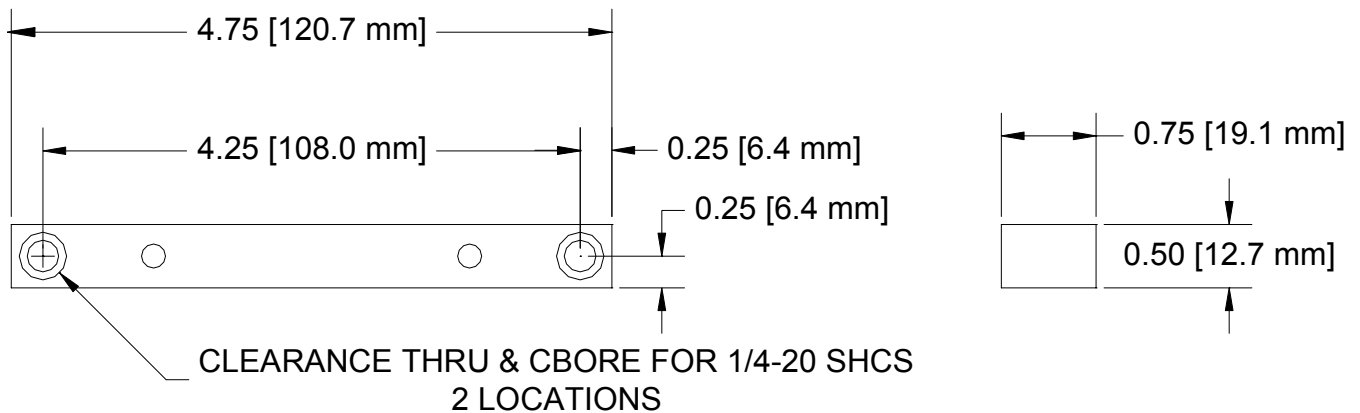
Low Profile Series Linear Stages - Accessories

Model: MLPS-MFT

Description: Mounting foot used for any of the MLPS models on a single or bottom axis of an X-Y or X-Y-Z system

Mount: Counter-sunk holes for a 1/4-20 socket head screw. Two tapped holes allow for mounting under bearing blocks only

Dimensions:



Price: Contact Servo Systems Co. via phone or e-mail for pricing information.

Servo Systems Co. can configure any of our **Low Profile Series** stages in X-Y and X-Y-Z configurations. In addition, we can complete this linear system with any step motor, servo motor, or SmartMotor™ that is needed for your application.