

SERVO SYSTEMS CO.

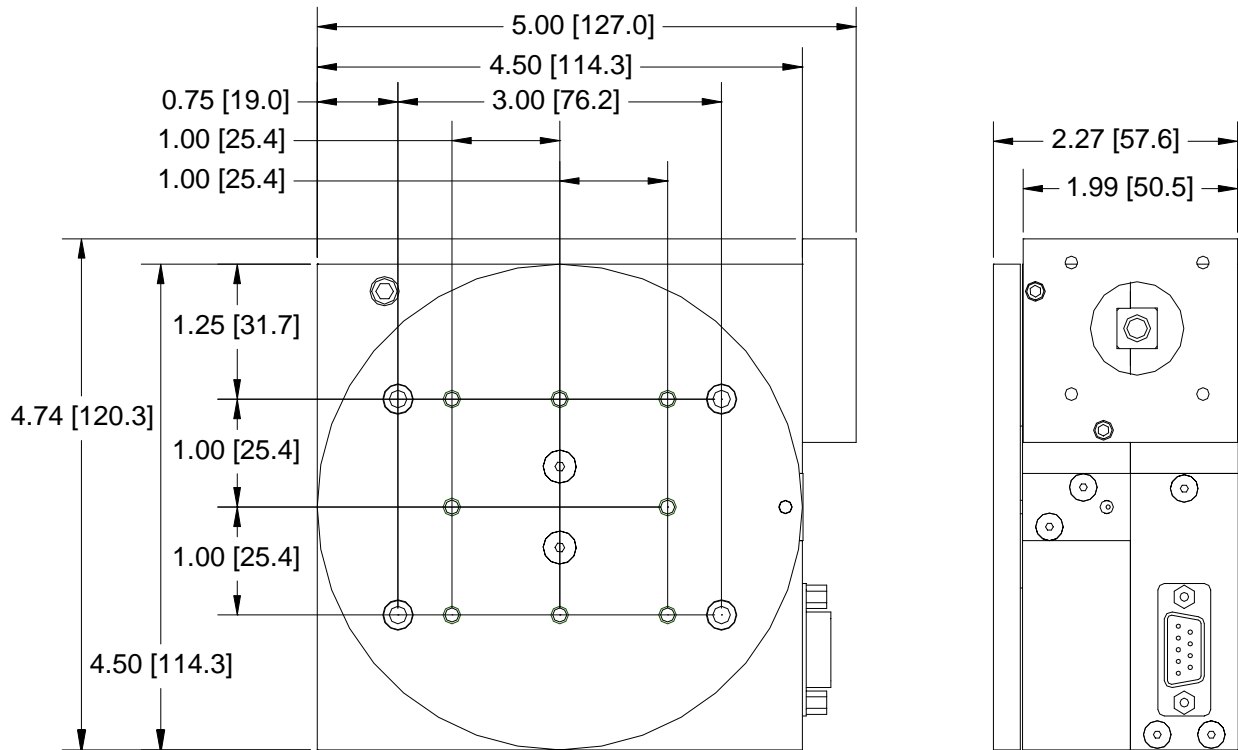
Low Profile Series Rotary Positioning System

Model: RPS-4.5-7

Description: Rotary positioning system weighing 4.4 lb., with a maximum output torque of 7 in.-lb.

Motor Mount: Standard NEMA 17

Dimensions:



Specifications:

Unit Weight	4.4 lb.	Maximum Output Torque	7 in.-lb.
Moving Mass	1.138 lb.	Payload	62.8 lb.
Maximum Input Speed	2700 rpm	Standard Ratio	180:1
Table Top Inertia	1.387E+00 lb.-in. ²	Maximum Table Top Speed	15 rpm
Input Shaft Inertia	1.716E-03 lb.-in. ²	Gearset Efficiency	43%
Dynamic Moment	177.04 in.-lb.	Breakaway Torque	2.8 oz.-in.
Maximum Input Torque	2.9 oz.-in.	Pricing Information	RPS-4.5-7*

Notes: *Contact Servo Systems Co. for pricing information



SERVO SYSTEMS CO.

Low Profile Series Rotary Positioning System (cont'd)

HLPS Dual Position Limit / Home Sensor Specifications:

Power Consumption	<0.36 W
Max. Switching Current	100 mA
Voltage Drop	<1.5 V
Max. Switching Frequency	5 kHz
Output Indicator	Red LED
Protection Class	IP67 (sensor only)*
Connection	9-pin D-sub Male**
Pin Function	Pin 1: Sensor Power (10-30 VDC) Pin 3: Sensor Ground Pin 5: Home Signal

Notes: *Protected against polarity reversal, but not short circuit protected; **The RPS has a built-in Normally Open home switch--specify NPN or PNP when ordering

