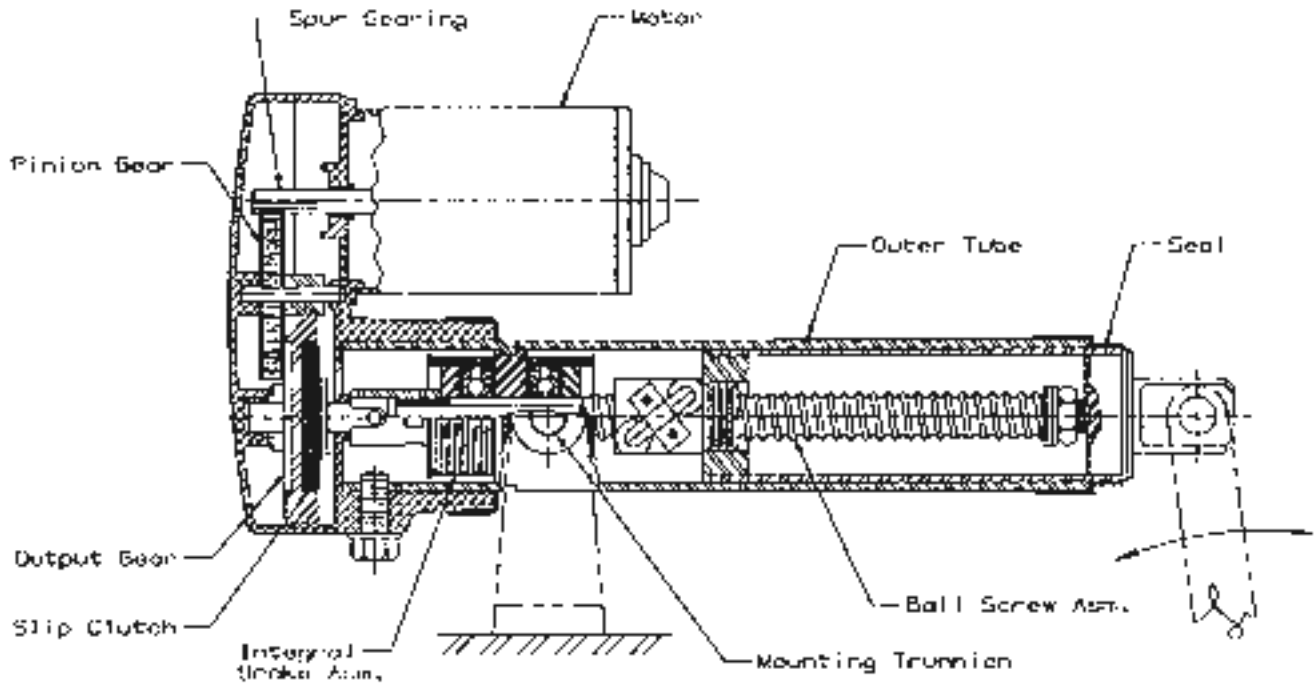
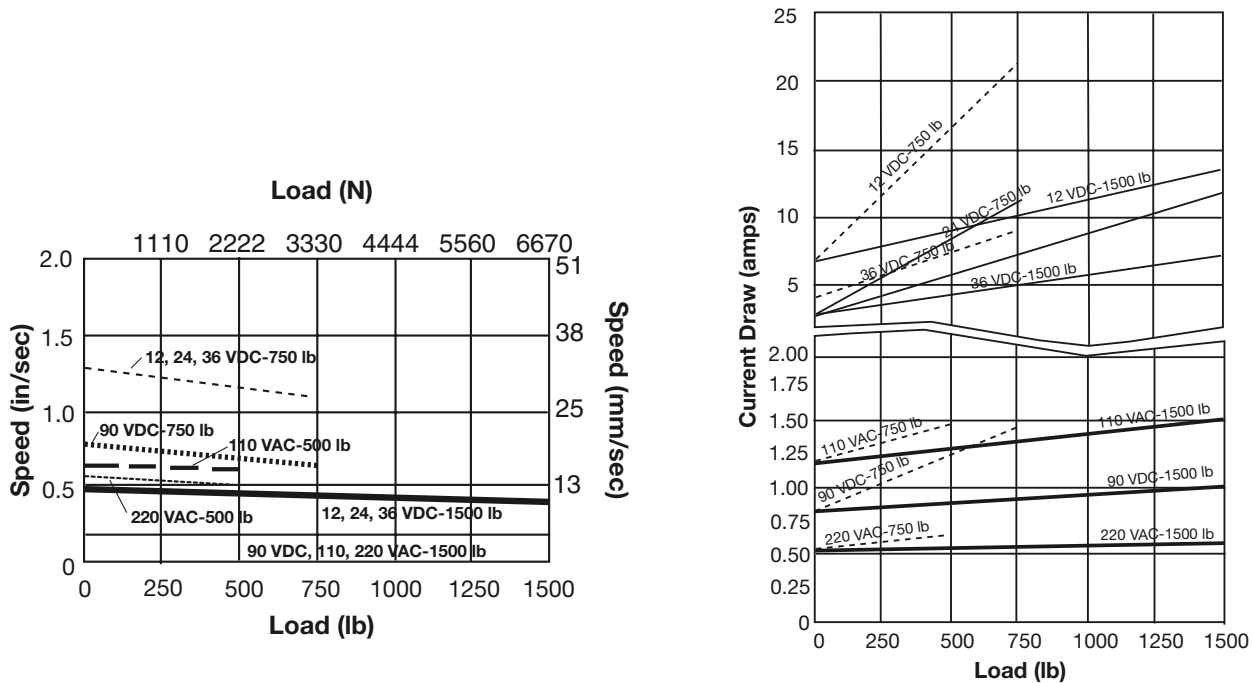


# Performance Pak Actuator

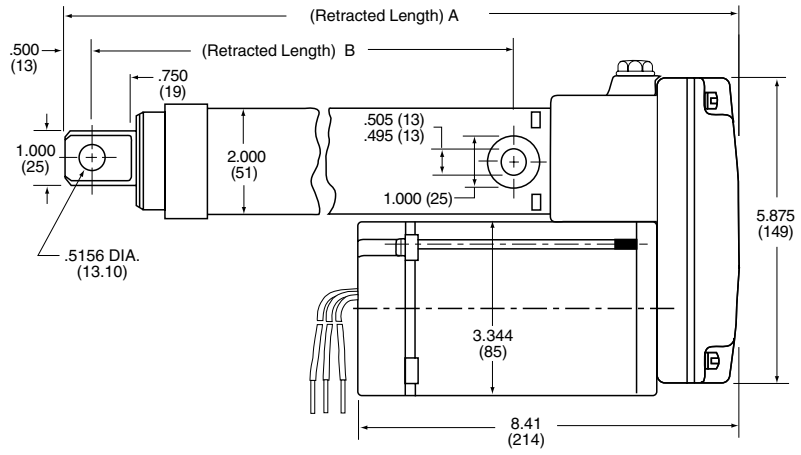
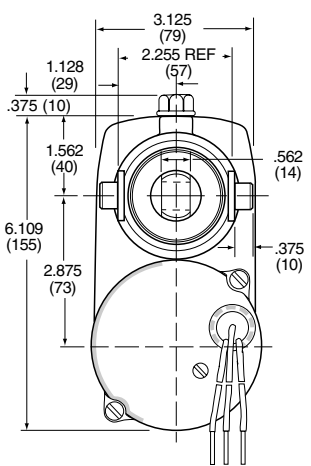


## Performance Curves



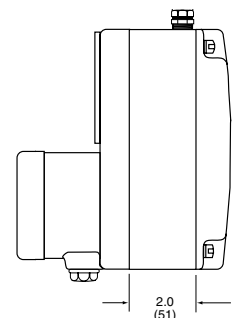
# PPA 110 VAC - Integral Brake

## 110 VAC Performance Pak Linear Actuators with Integral Brake, Sensing Option and Limit Switch



Dimensions are in inches.  
 Dimensions in brackets ( ) are in mm.

Limit Switch/  
 Sensor Housing



NOTE: PPA\* actuator units with a sensor or limit switch require an additional 2.0 inches (51 mm) of overall length.

### 110 VAC Performance Pak Actuators with integral brake

| Standard Unit Part Number | Potentiometer Position Sensor Part Number | Hall Effect Position Sensor Part Number | Limit Switch Part Number | Stroke |      | Dimensions |        |        |        | Dim. A (With Sensor or Limit Switch) |       | Rated Load |      | Amp Draw† |     | Travel Rate‡ |        |
|---------------------------|---|---|--------------------------|--------|------|------------|--------|--------|--------|--------------------------------------|-------|------------|------|-----------|-----|--------------|--------|
|                           |   |   |                          | (in)   | (mm) | A (in)     | A (mm) | B (in) | B (mm) | A(in)                                | A(mm) | lb         | N    |           |     | in./sec      | mm/sec |
| 7825368                   | 7825433                                   | 7825409                                 | 7825445                  | 4      | 102  | 13.7       | 350    | 8.8    | 224    | 15.7                                 | 401   | 500        | 2220 | 1.5       | 0.6 | 15           |        |
| 7825391                   | 7825434                                   | 7825410                                 | 7825446                  | 8      | 203  | 17.7       | 456    | 12.8   | 326    | 19.7                                 | 502   |            |      |           |     |              |        |
| 7825367                   | 7825435                                   | 7825411                                 | 7825447                  | 12     | 305  | 21.7       | 553    | 16.8   | 427    | 23.7                                 | 604   |            |      |           |     |              |        |
| 7825382                   | 7825436                                   | 7825412                                 | 7825448                  | 18     | 457  | 29.7       | 756    | 24.8   | 631    | 31.7                                 | 807   |            |      |           |     |              |        |
| 7825392                   | 7825437                                   | 7825413                                 | 7825449                  | 24     | 610  | 35.7       | 909    | 30.8   | 783    | 37.7                                 | 959   |            |      |           |     |              |        |
| 7825393                   | 7825438                                   | 7825414                                 | 7825450                  | 36     | 914  | 47.7       | 1214   | 42.8   | 1088   | 49.7                                 | 1264  | 1500       | 6670 | 1.5       | 0.2 | 5            |        |
| 7825375                   | 7825439                                   | 7825415                                 | 7825451                  | 4      | 102  | 13.7       | 350    | 8.8    | 224    | 15.7                                 | 401   |            |      |           |     |              |        |
| 7825394                   | 7825440                                   | 7825416                                 | 7825452                  | 8      | 203  | 17.7       | 456    | 12.8   | 326    | 19.7                                 | 502   |            |      |           |     |              |        |
| 7825376                   | 7825441                                   | 7825417                                 | 7825453                  | 12     | 305  | 21.7       | 553    | 16.8   | 427    | 23.7                                 | 604   |            |      |           |     |              |        |
| 7825384                   | 7825442                                   | 7825418                                 | 7825454                  | 18     | 457  | 29.7       | 756    | 24.8   | 631    | 31.7                                 | 807   |            |      |           |     |              |        |
| 7825395                   | 7825443                                   | 7825419                                 | 7825455                  | 24     | 610  | 35.7       | 909    | 30.8   | 783    | 37.7                                 | 959   |            |      |           |     |              |        |
| 7825396                   | 7825444                                   | 7825420                                 | 7825456                  | 36     | 914  | 47.7       | 1214   | 42.8   | 1088   | 49.7                                 | 1264  |            |      |           |     |              |        |

† At rated load



©2003 Danaher Motion. Printed in the U.S.A. The specifications in this publication are believed to be accurate and reliable. However, it is the responsibility of the product user to determine the suitability of Thomson products for a specific application. While defective products will be replaced without charge if promptly returned, no liability is assumed beyond such replacement.

\* Trademark of Danaher Motion. DANAHER MOTION is registered in the U.S. Patent and Trademark Office and in other countries.