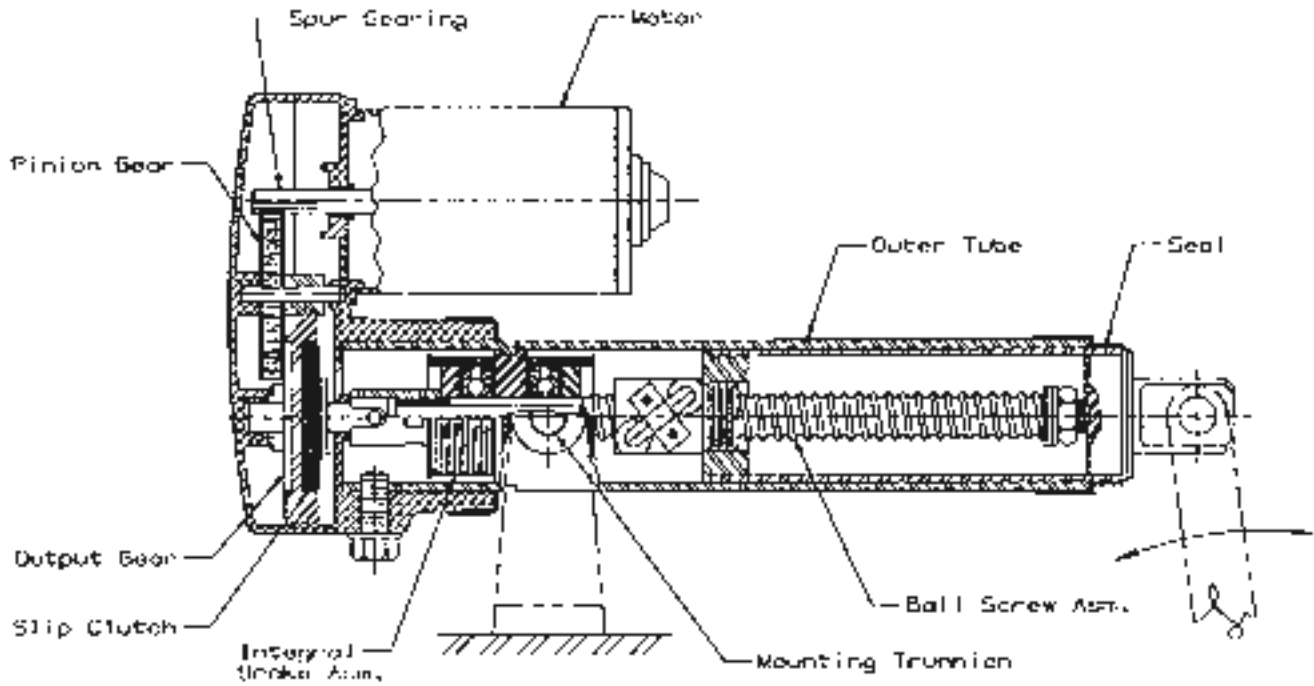
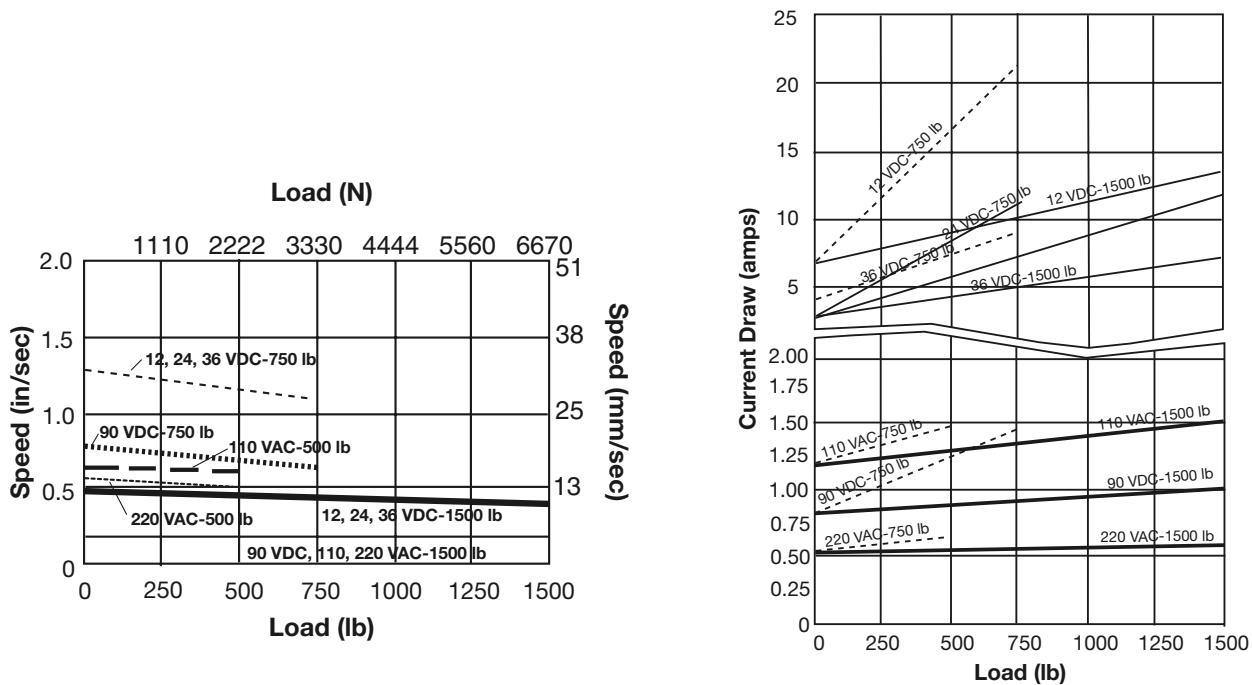


Performance Pak Actuator

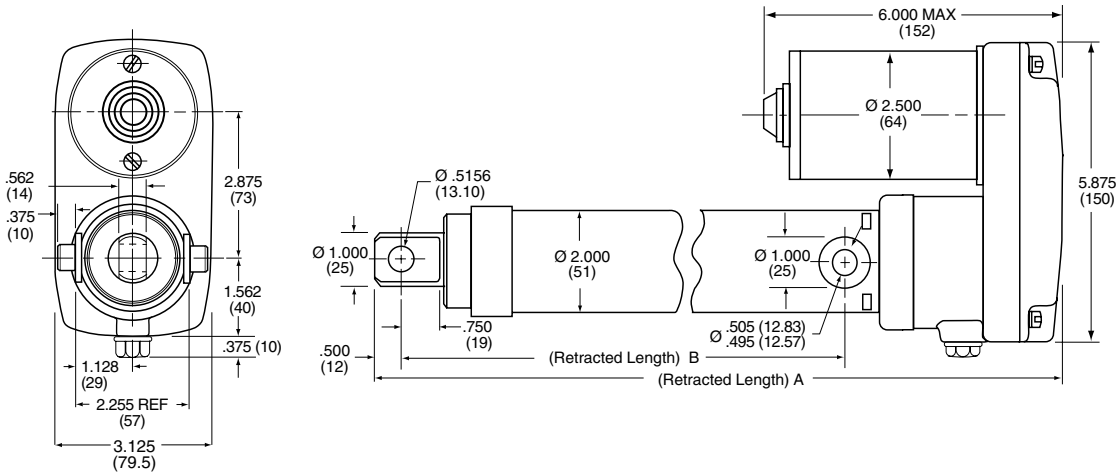


Performance Curves



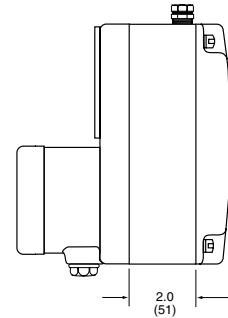
PPA 12 VDC

12 VDC Performance Pak* Linear Actuator



Dimensions are in inches.
 Dimensions in brackets () are in mm.

Limit Switch/
 Sensor Housing



NOTE: PPA* actuator units with a sensor or limit switch require an additional 2.0 inches (51 mm) of overall length.

12 VDC Performance Pak Actuators

Standard Unit Part Number	Potentiometer Position Sensor Part Number	Hall Effect Position Sensor Part Number	Limit Switch Part Number	Stroke		Dimensions				Dim. A (With Sensor or Limit Switch)		Rated Load		Amp Draw†	Travel Rate‡	
				(in)	(mm)	A (in)	A (mm)	B (in)	B (mm)	A (in)	A (mm)	lb	N		in/sec	mm/sec
5703605	7821401	7821335	7822837	4	102	13.7	350	8.8	224	15.7	401	750	3330	22	1.1	28
7821187	7821402	7821336	7822838	8	203	17.7	456	12.8	326	19.7	502					
5703552	7821403	7821337	7822839	12	305	21.7	553	16.8	427	23.7	604					
7821058	7821404	7821338	7822840	18	457	29.7	756	24.8	631	31.7	807					
7821188	7821405	7821339	7822841	24	610	35.7	909	30.8	783	37.7	959					
7821189	7821406	7821340	7822842	36	914	47.7	1214	42.8	1088	49.7	1264	1500	6670	15	0.4	10
5704114	7821407	7821345	7822843	4	102	13.7	350	8.8	224	15.7	401					
7821190	7821408	7821346	7822844	8	203	17.7	456	12.8	326	19.7	502					
5704273	7821409	7821347	7822845	12	305	21.7	553	16.8	427	23.7	604					
7821059	7821410	7821348	7822846	18	457	29.7	756	24.8	631	31.7	807					
7821191	7821411	7821349	7822847	24	610	35.7	909	30.8	783	37.7	959					
7821192	7821412	7821350	7822848	36	914	47.7	1214	42.8	1088	49.7	1264					

† At rated load

