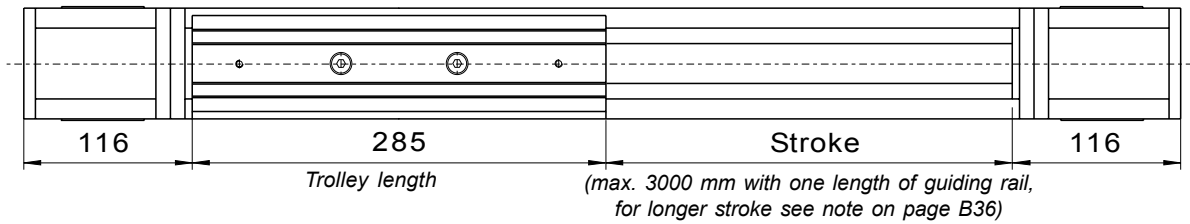
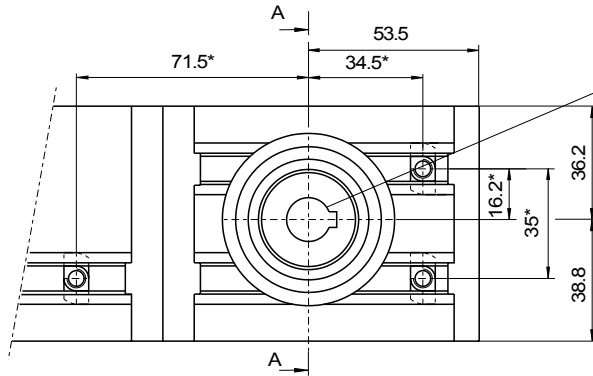


# C75



\* Position of the T-nuts of our interfaces plates (see pages B32 and B33).

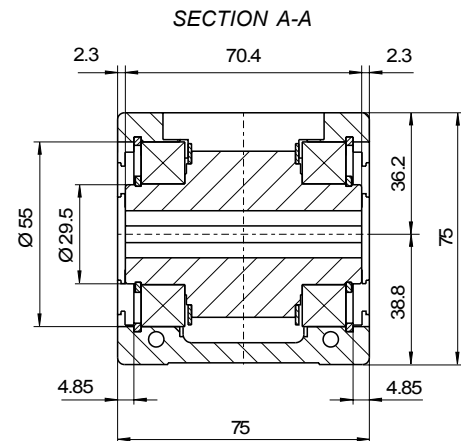
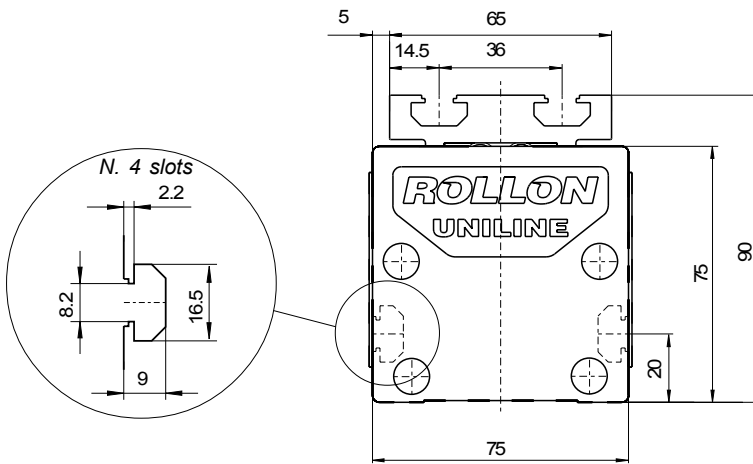


Housing for shaft Ø14 h7 with 5x5 key slot \*\*

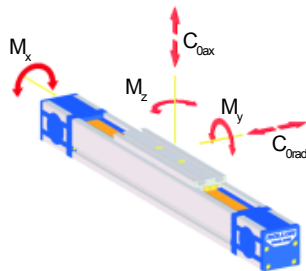
\*\* In the inch versions (order code suffix "P"), the shaft housing is Ø5/8" with 3/16" x 3/16" key slot.

**SPECIAL VERSIONS (upon request):**

- Ø16 h7 with 5x5 keyway
- Ø19 h7 with 6x6 keyway
- Ø14 h7 for 14x18 compression coupling
- Ø19 h7 for 19x24 compression coupling



## LOAD CAPACITIES



C <sub>0rad</sub> [N]	C <sub>0ax</sub> [N]	M <sub>x</sub> [Nm]	M <sub>y</sub> [Nm]	M <sub>z</sub> [Nm]
750	4350	85.2	217	36.1

Note: radial load C<sub>0rad</sub> is considered to be applied along the axis of the internal rail (see page B5).

## OTHER FEATURES

Moment of inertia I <sub>y</sub> [cm <sup>4</sup> ]	108
Moment of inertia I <sub>z</sub> [cm <sup>4</sup> ]	155
Max speed [m/s]	5
Weight of unit with stroke zero [g]	6853
Weight of unit per meter [g]	9151
Mass of slider [g]	1666
Stroke for shaft revolution [mm]	160
Type of guiding rail	TLV28/ULV28

Type of slider	2 CSW28 spec. 4 rollers
Pitch diameter of pulley [m]	0.05093
Moment of inertia of mass of each pulley [gmm <sup>2</sup> ]	139969
Mass of belt [g/m]	185
Max. Belt Tractive Force F <sub>max</sub> [N]	4480
Standard belt tension [N]	800
Standard starting loadless torque [Nm]	1.3
Belt length [m]	2 x stroke (in m)+ 0.792

Sold by Servo Systems Co. 115 Main Road, P.O. Box 97

Montville, NJ 07045-0097

Toll Free: (800) 922-1103 Phone: (973) 335-1007

Fax: (973) 335-1661 www.servosystems.com