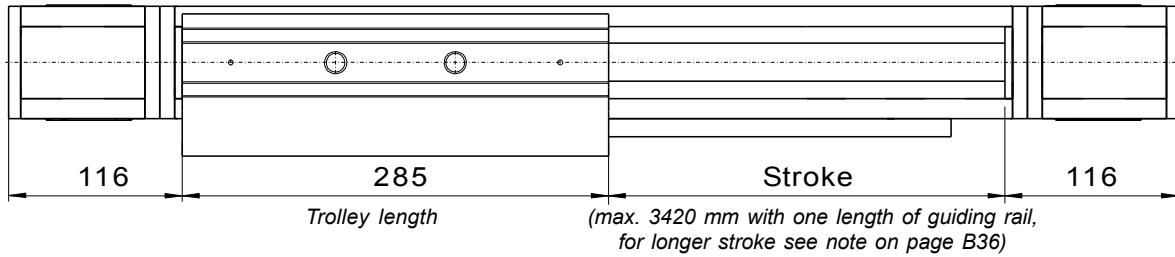
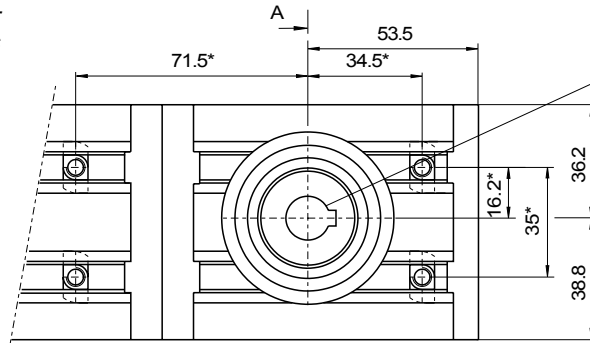


E75



* Position of the T-nuts of our interfaces plates (see pages B32 and B33).

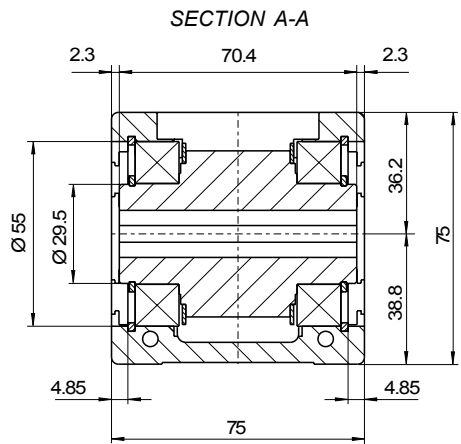
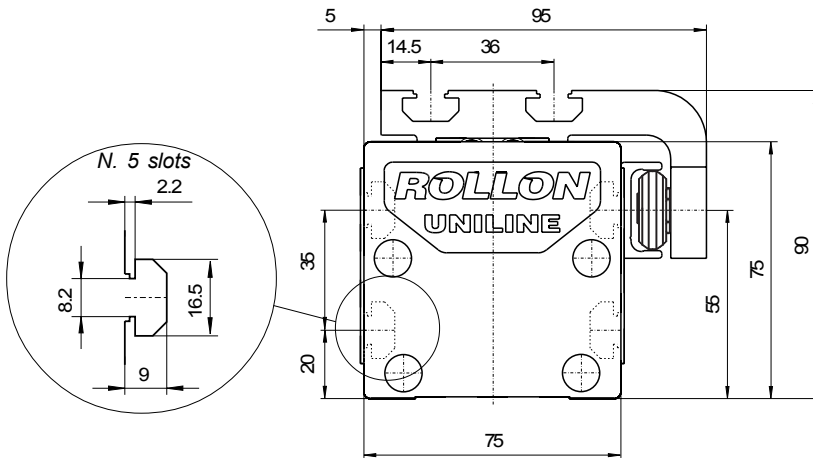


Housing for shaft $\varnothing 14$ h7 with 5x5 key slot **

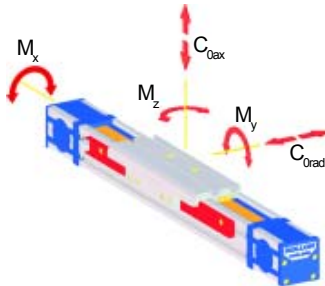
** In the inch versions (order code suffix "P"), the shaft housing is $\varnothing 5/8$ " with 3/16" x 3/16" key slot.

SPECIAL VERSIONS (upon request):

- $\varnothing 16$ h7 with 5x5 keyway
- $\varnothing 19$ h7 with 6x6 keyway
- $\varnothing 14$ h7 for 14x18 compression coupling
- $\varnothing 19$ h7 for 19x24 compression coupling



LOAD CAPACITIES



C0rad [N]	C0ax [N]	Mx [Nm]	My [Nm]	Mz [Nm]
5500	3710	85.5	163	209

Note: radial load C_{0rad} is considered to be applied along the axis of the internal rail (see page B5).

OTHER FEATURES

Moment of inertia I_y [cm ⁴]	127
Moment of inertia I_z [cm ⁴]	172
Max speed [m/s]	5
Weight of unit with stroke zero [g]	7544
Weight of unit per meter [g]	10751
Mass of slider [g]	1772
Stroke for shaft revolution [mm]	160
Type of guiding rail	TLV43/ULV28

Type of slider	CSW43 spec. 4 rollers / 4 CPA28
Pitch diameter of pulley [m]	0.05093
Moment of inertia of mass of each pulley [gmm ²]	139969
Mass of belt [g/m]	185
Max. Belt Tractive Force F_{max} [N]	4480
Standard belt tension [N]	800
Standard starting loadless torque [Nm]	1.3
Belt length [m]	2 x stroke (in m)+ 0.792

Sold by Servo Systems Co. 115 Main Road, P.O. Box 97

Montville, NJ 07045-0097

Toll Free: (800) 922-1103 Phone: (973) 335-1007

Fax: (973) 335-1661 www.servosystems.com